


# Electrical Enclosure Accessories IP-SSWINDOOR

STAINLESS STEEL | TRANSPARENT DOORS | TEMPERED GLASS | IP66

IP Enclosures offer stainless steel transparent glazed doors engineered for compatibility with its range of electrical enclosures. Supplied as a standard accessory, transparent doors allow quick replacement by removing the existing door. The doors incorporate a transparent viewing window panel manufactured from tempered glass material and are sold and available worldwide.

**Protection:** IP66

**Standard:** IEC/EN 60529, RoHS 

**Material:**

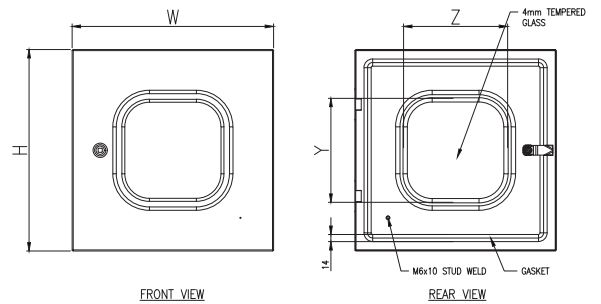
- Enclosure Door: 1.5mm grade 316L stainless steel
- Viewing Window Panel: 4.0mm Tempered Glass
- Enclosure Seal: Polyurethane

**Door:** The surface mounted door is made from 1.5mm 316L stainless steel. It incorporates concealed, removable hinges with captive pins and is designed for a 110° opening.

**Viewing Window Pane:** The viewing window panel is made from 4.0mm thick Tempered glass.

**Seal:** A high quality full perimeter seal provides excellent sealing over a long life. It is machine applied Polyurethane foamed in place (FIP).

**Lock:** Grade 316L stainless steel 8mm square drive quarter turn lock. A full range of locking solutions are available upon request.



**NOTE:** 2D drawing is for reference only. See CAD files for sizes and specifications.

Part Number	Enclosure Door Size	Glass Panel Size	Weight	Lock
SKU	H x W (mm)	Y x Z (mm)	Kilogram (Kg)	Quantity (pc)
IP-SS4030WINDOOR	395H x 295W	204 x 134	2	1
IP-SS4040WINDOOR	395H x 395W	204 x 204	3	1
IP-SS6040WINDOOR	595H x 395W	204 x 404	4	2
IP-SS6060WINDOOR	595H x 595W	404 x 404	5	2