

STEEL | ROOF SHIELDS

Suited for Electrical Enclosures

IP Enclosures provides a premium range of roof shields engineered specifically for steel electrical enclosures. These shields are designed to mitigate the accumulation of liquids, corrosive solids, mineral deposits, dust, dirt, and debris on enclosure surfaces, thereby enhancing operational reliability and service life. Manufactured for durability, they perform effectively in demanding industrial and environmental conditions. All IP Enclosures' electrical enclosures are pre-fitted with encapsulated nutserts, enabling the installation of optional roof shields without drilling. This ensures ease of integration while maintaining the enclosure's certified IP rating.

Material:

- Body: 1.5mm galvanised steel sheet

Body: The body is fabricated from 1.5mm galvanised steel sheet, providing structural rigidity and enhanced corrosion resistance. Engineered with a sloped-roof profile at a specified angle, the roof shield effectively prevents the accumulation of water, corrosive agents, dust, minerals, and debris on enclosure surfaces, thereby extending service life and maintaining performance integrity. Supplied complete with fasteners, the roof shield can be easily mounted to both new and existing enclosures, eliminating the need for drilling.

Surface Treatment: UL approved AkzoNobel epoxy polyester powder coated with a textured finish. 80-120 micron average thickness. Colour RAL7035 Light Grey.

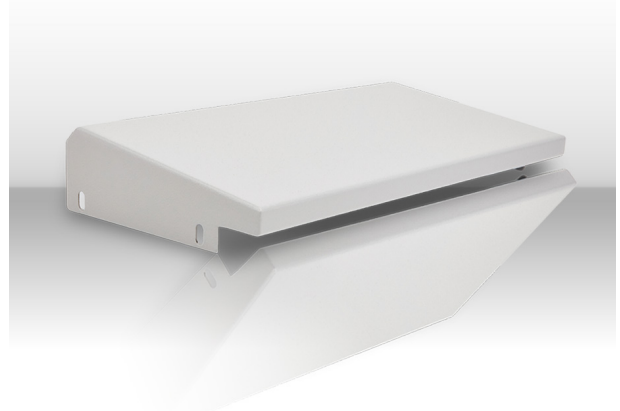
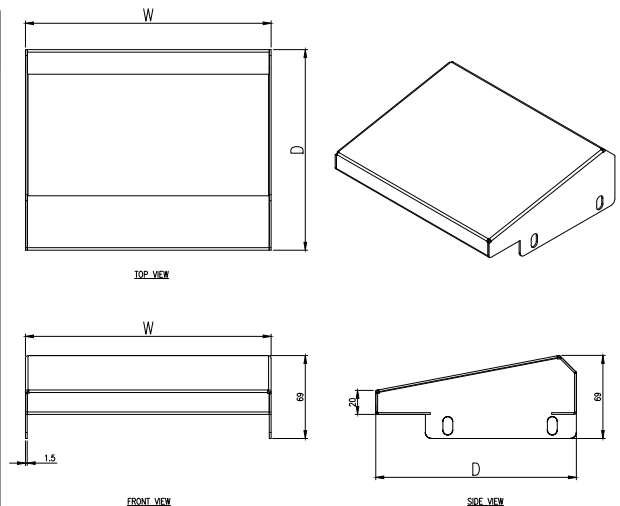


Image shown is for reference only. See table below for the accurate sizes and specifications.

Part Number	To Suit Enclosure Size	Weight
SKU	W x D (mm)	Kilogram (Kg)
IP-PSRH2015	200W x 150D	1
IP-PSRH2515	250W x 150D	1
IP-PSRH3015	300W x 150D	1.4
IP-PSRH3020	300W x 200D	1.6
IP-PSRH4020	400W x 200D	2.2
IP-PSRH4030	400W x 300D	2.4
IP-PSRH5025	500W x 250D	2.6
IP-PSRH6020	600W x 200D	2.7
IP-PSRH6025	600W x 250D	3
IP-PSRH6030	600W x 300D	3
IP-PSRH6040	600W x 400D	4.5
IP-PSRH8030	800W x 300D	5



NOTE: 2D drawing is for reference only. See CAD files for sizes and specifications.