

FIBOX EURONORD Terminal Box

P-0808

POLYESTER | IP66 IK08

75H x 80W x 55D

IP Enclosures, in partnership with FIBOX, offers a premium range of polyester terminal boxes engineered and manufactured in Finland to the highest quality standards. Designed for harsh climate conditions, polyester terminal boxes deliver exceptional dimensional stability, durability, mechanical strength, and electrical insulation. The range is UV-resistant, impact-resistant, chemical-resistant, and flame-retardant, ensuring reliable protection of electrical and electronic components worldwide.

EAN: 6418074004338

Electric Numbers:

- Finland: 3423655
- Denmark: 8212005604
- Sweden: 2536205

ETIM: EC000261

Protection: IP66 IK08

Standards (& Conformities): IEC/EN 60529, IEC/EN 62208, IEC/EN 61439, IEC/EN 60670

Material:

- Body: Polyester
- Cover: Polyester
- Seal/Gasket: Polyurethane

Body: The durable body is constructed from polyester, delivering superior resistance to UV exposure, chemical exposure, flame, and mechanical impact. External edges are rounded and surfaces are polished to improve user safety and to facilitate cleaning and maintenance. It is fully insulated and halogen-free. Multiple mounting options include galvanised steel plates, DIN rails, and wall fastening lugs which simplify installation and support a wide range of electrical components.

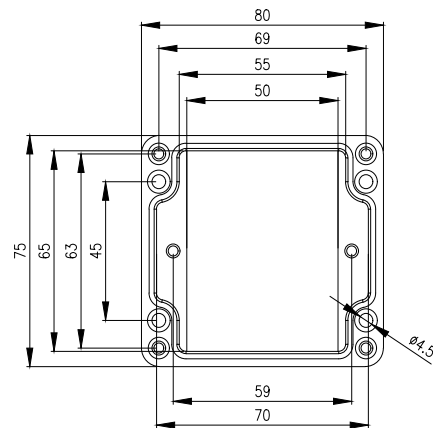
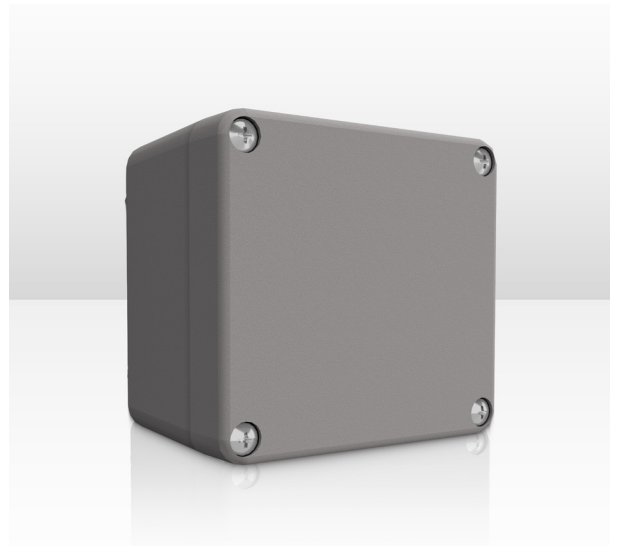
Cover: The durable cover is made from polyester and is provided with polyurethane seal. Stainless steel cover screws are provided to facilitate quick locking system.

Seal/Gasket: Polyurethane.

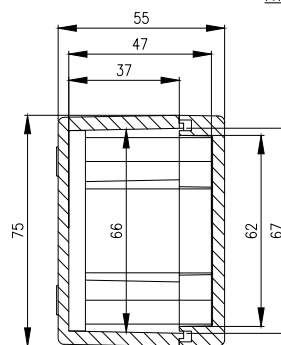
Lock: Stainless steel cover screws. Quick locking system.

Mounting Plate: 1.5mm galvanised steel. (Not included and must be ordered separately).

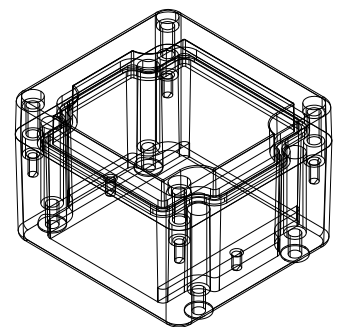
Standard Colour: RAL7036 Platinum Grey.



FRONT VIEW-DOOR REMOVED



SECTION A-A



FIBOX EURONORD Terminal Box

P-0808

POLYESTER | IP66 IK08

75H x 80W x 55D

ACCESSORIES:

Part Number	Description
PM 0808	Galvanised Steel Mounting Plate 64mmH x 69mmW x 1.5mmD
TRM 0808	Galvanised Steel DIN-15 Mounting Rail 68mmH x 15mmW x 5mmD

PARAMETERS:

Electrical Insulation:	Fully Insulated
Halogen Free (DIN/VDE 0472, Part 815):	Yes
UV Resistance:	UL 746C
Flammability Rating:	UL 94 V0
Glow Wire Test (IEC 60695)°C:	960°C
Temperature °C (short term use):	-40...+120°C
Temperature °C (continuous term use):	-40...+80°C

CERTIFICATES:

Refer to the *Manufacturer's Declaration* document for compliance details.