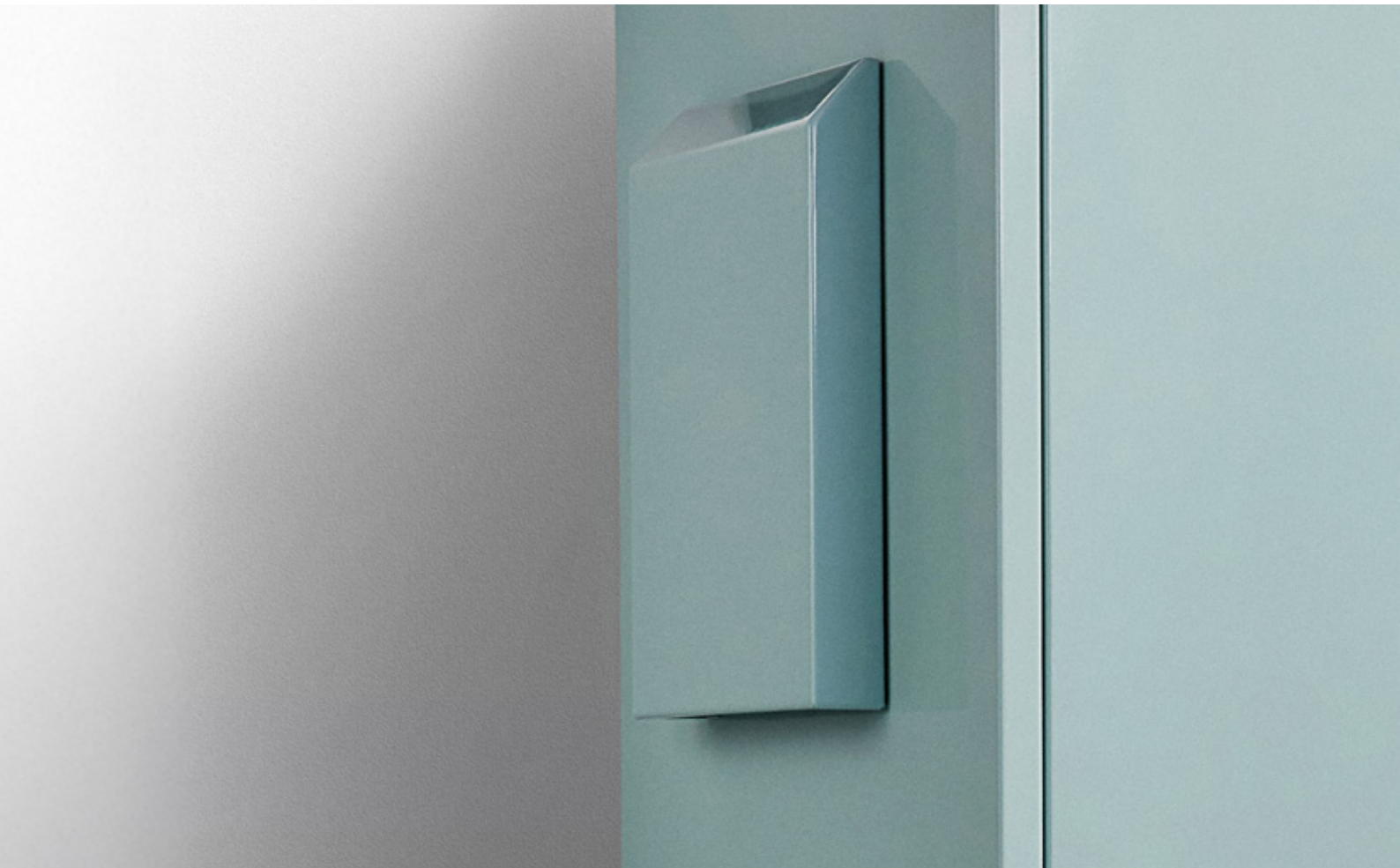




USER GUIDE

Fitting Vent Hoods: A Step-by-Step Guide

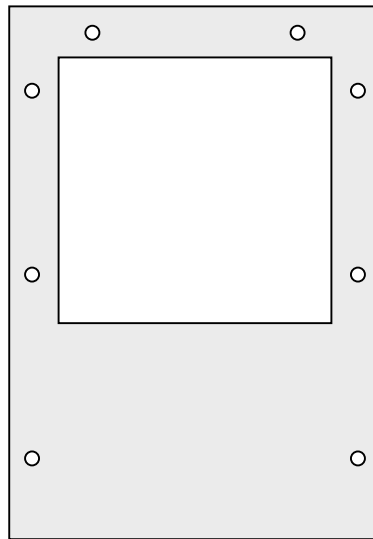


Protection in the toughest conditions™

Vent Hood Template

01

Remove vent hood and vent hood template from the packaging

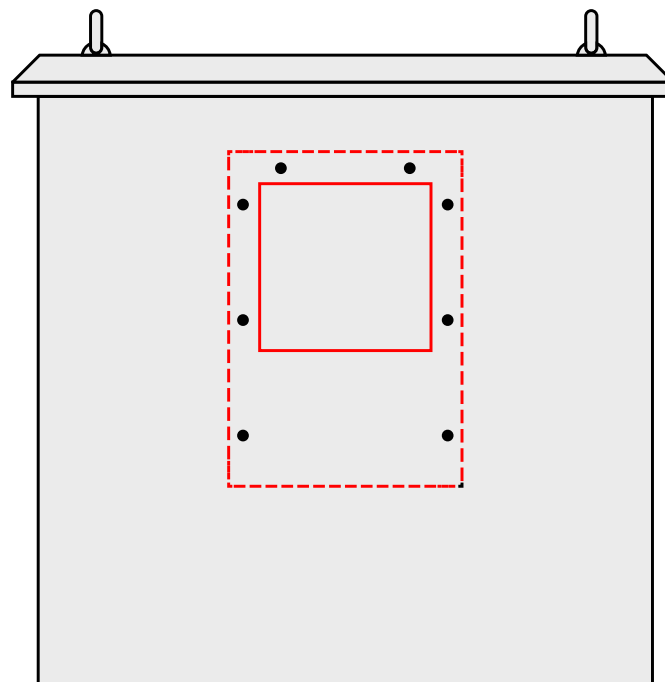


Vent Hood Template

Placing Vent Hood Template

02

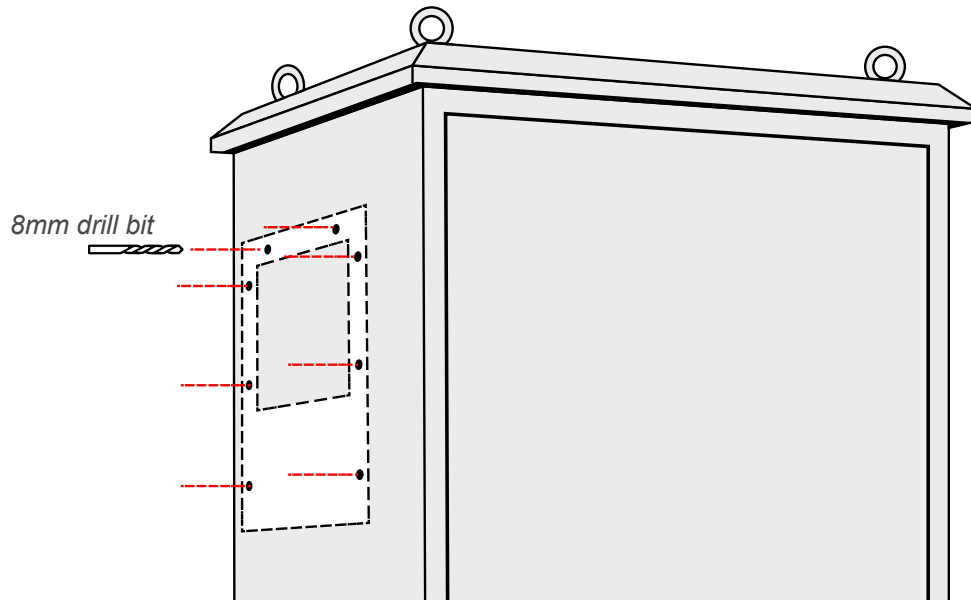
Place the template centrally over the square hole and mark the hole locations.



Drilling Holes

03

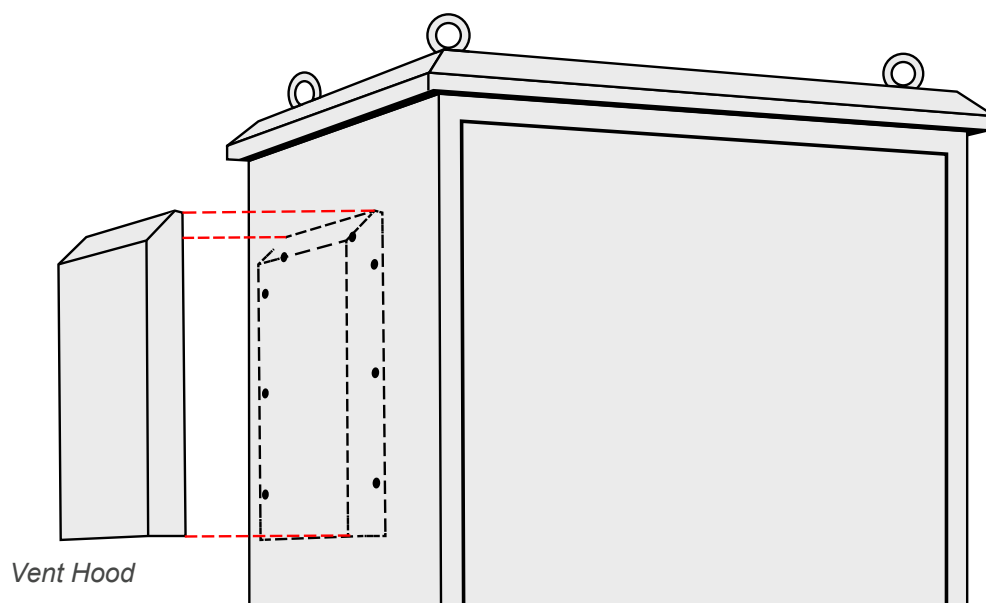
Use an 8mm diameter drill bit and drill the holes in the marked locations.



Installation of Vent Hoods

04

Bolt the vent hood onto the side of the cabinet and tighten the bolts to compress the seal.



Protection in the toughest conditions™

IP ENCLOSURES PTY LTD

ABN 17 168 921 319

Head Office: 19-27 Fred Chaplin Circuit, Bells Creek QLD 4551

sales@ipenclosures.com.au | www.ipenclosures.com.au

T: 1300 576 094 | + 61 7 5450 1489

GLOBAL DISTRIBUTION: UK Europe USA UAE NZ Asia-Pacific

Distributed in New Zealand by:

TROPAC NZ

100 Montgomerie Rd, Auckland, 2022, NEW ZEALAND.

T: 0800 876 722

www.ipenclosures.co.nz