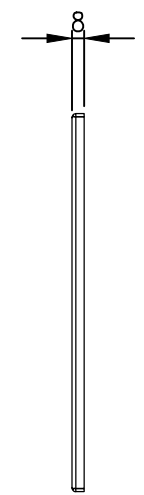
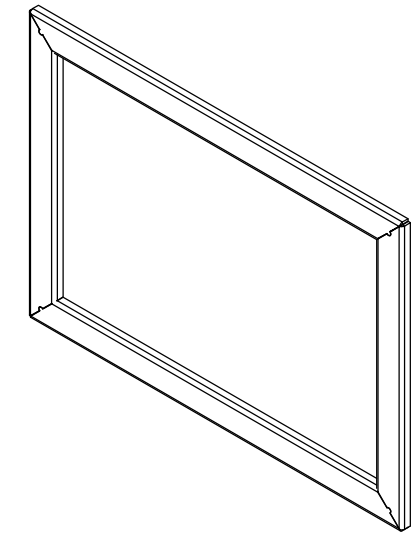


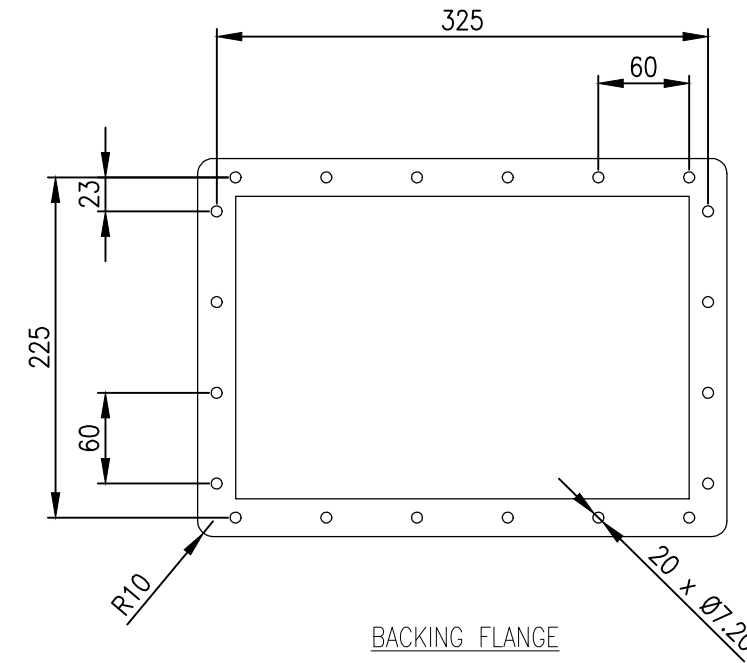
FRONT VIEW
MAIN FRAME



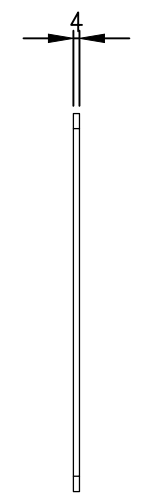
SIDE VIEW
MAIN FRAME



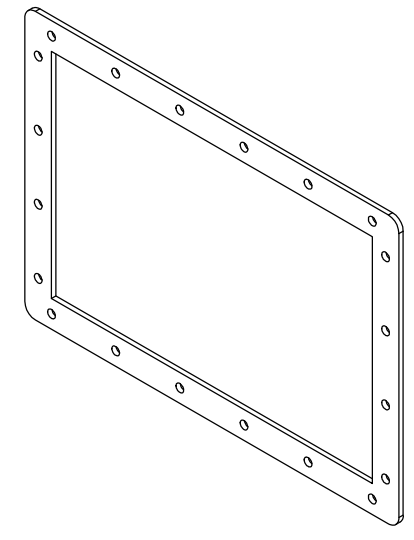
ISOMETRIC VIEW



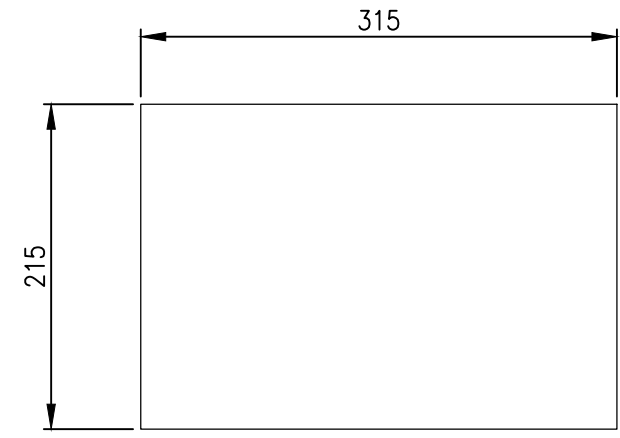
BACKING FLANGE



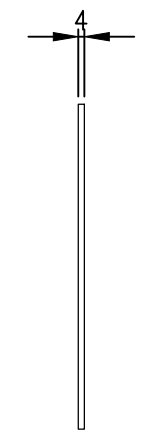
SIDE VIEW



ISOMETRIC VIEW



FRONT VIEW
POLYCARBONATE WINDOW



SIDE VIEW

MATERIAL
 FRAME: GRADE 316/316L STAINLESS STEEL
 BACKING FLANGE: GRADE 316/316L STAINLESS STEEL
 WINDOW: 4.0mm POLYCARBONATE
 SURFACE FINISH: 0.4 MICRON Ra BRUSHED FINISH

PROTECTION: IP66

© IP ENCLOSURES 2023.
 THIS DRAWING SHALL NOT BE COPIED OR REPRODUCED
 WITHOUT AUTHORISATION FROM IP ENCLOSURES.
 www.ipenclosures.com.au

Itemref	Quantity	Title/Name, designation, material, dimension etc	Article No./Reference
Designed by	Checked by	Approved by - date	Filename
IP	IP	09/03/23	IP-WINDOW2030
Date	Scale		
09/03/23	1:5		
IP66 316SS 200Hx300W VIEWING WINDOW			
IP-WINDOW2030			
Edition	Sheet		
0	1/1		