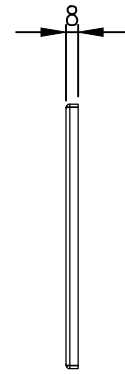
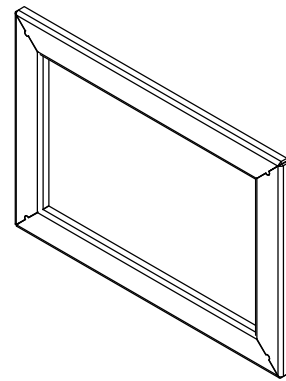


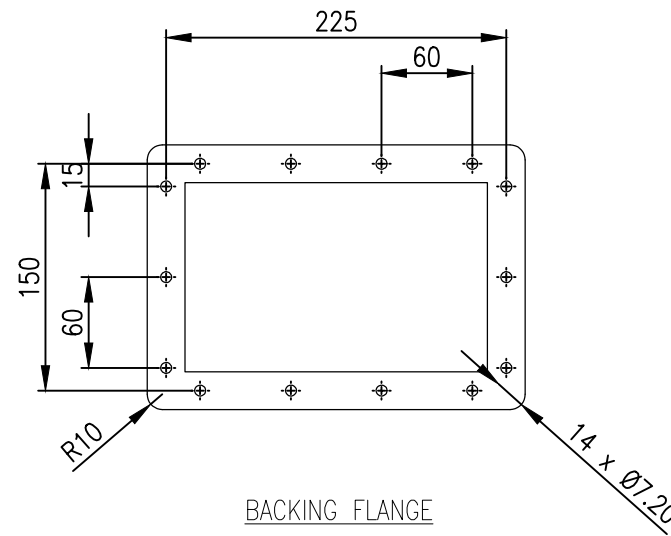
FRONT VIEW
MAIN FRAME



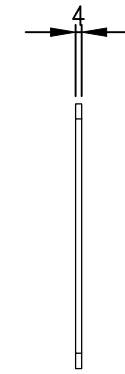
SIDE VIEW
MAIN FRAME



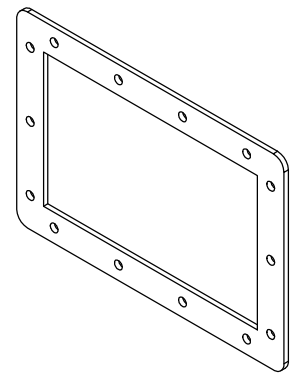
ISOMETRIC VIEW



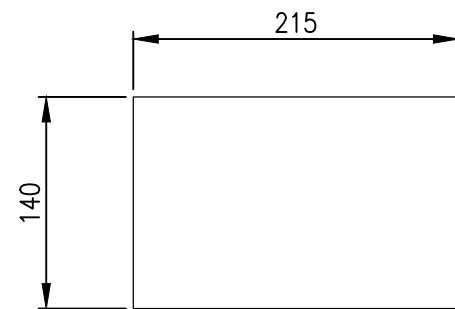
BACKING FLANGE



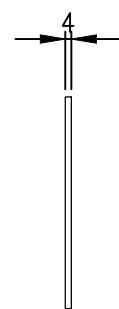
SIDE VIEW



ISOMETRIC VIEW



FRONT VIEW
POLYCARBONATE WINDOW



SIDE VIEW

MATERIAL
 FRAME: GRADE 316/316L STAINLESS STEEL
 BACKING FLANGE: GRADE 316/316L STAINLESS STEEL
 WINDOW: 4.0mm POLYCARBONATE
 SURFACE FINISH: 0.4 MICRON Ra BRUSHED FINISH

PROTECTION: IP66

Itemref	Quantity	Title/Name, designation, material, dimension etc	Article No./Reference
Designed by IP	Checked by IP	Approved by - date 09/03/23	Filename IP-WINDOW1220
		Date 09/03/23	Scale 1:5
IP66 316SS 125Hx200W VIEWING WINDOW			Edition 0
IP-WINDOW1220			Sheet 1/1