

# Viewing Window Kit

# IP-WINDOW1220

## 316 STAINLESS STEEL | IP66

Inspection windows provide safe visibility to view and monitor equipment and components mounted inside an electrical enclosure without opening the enclosure door.

**Opening Size:** 125 H x 200 W

**Protection:** IP66

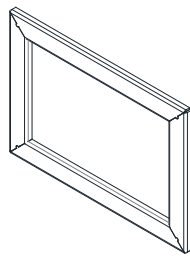
**Material:**

- Frame: Grade 316/316L Stainless Steel
- Window: 4.0mm Polycarbonate

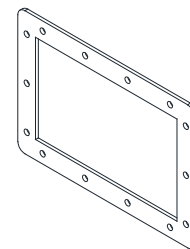
**Surface Finish:** 0.4 micron Ra surface brushed finish.

**Frame:** The frame and backing flange are fabricated using Grade 316/316L Stainless Steel. A gasket is provided.

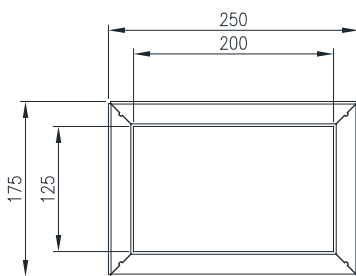
**Window:** The window is manufactured from 4.0mm Polycarbonate.



ISOMETRIC VIEW



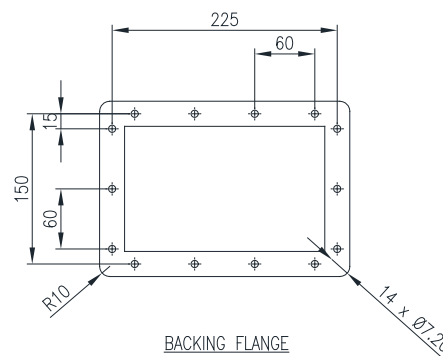
ISOMETRIC VIEW



FRONT VIEW  
MAIN FRAME



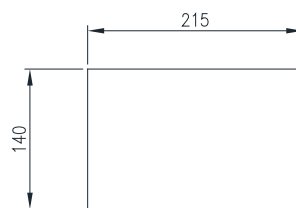
SIDE VIEW  
MAIN FRAME



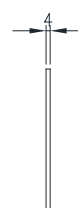
BACKING FLANGE



SIDE VIEW



FRONT VIEW  
POLYCARBONATE WINDOW



SIDE VIEW