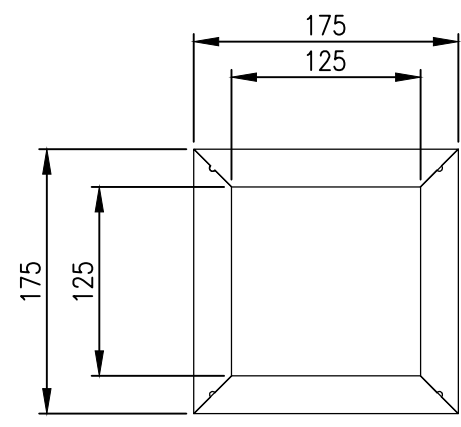
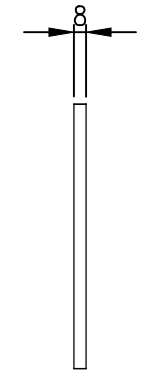


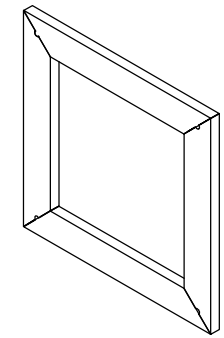
TOP VIEW
MAIN FRAME



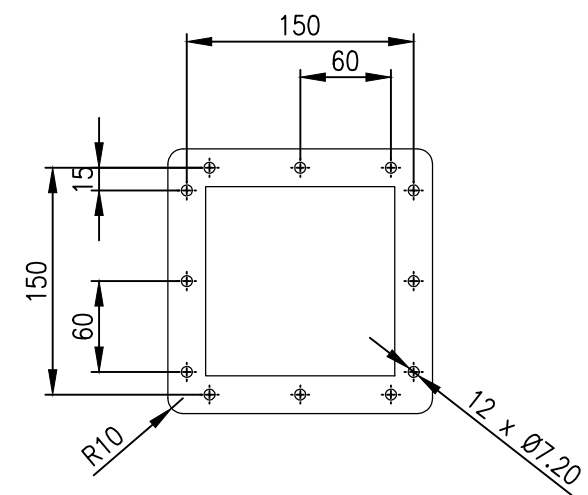
FRONT VIEW
MAIN FRAME



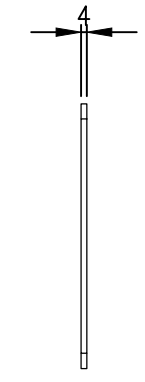
SIDE VIEW
MAIN FRAME



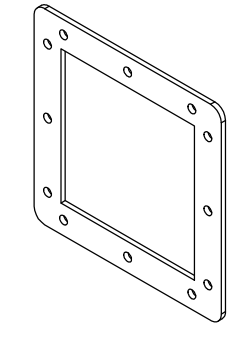
ISOMETRIC VIEW



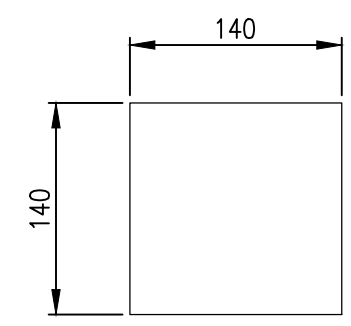
BACKING FLANGE



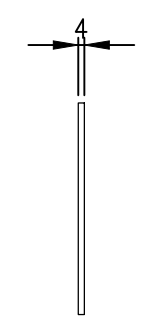
SIDE VIEW



ISOMETRIC VIEW



FRONT VIEW
POLYCARBONATE WINDOW



SIDE VIEW

MATERIAL
 FRAME: GRADE 316/316L STAINLESS STEEL
 BACKING FLANGE: GRADE 316/316L STAINLESS STEEL
 WINDOW: 4.0mm POLYCARBONATE
 SURFACE FINISH: 0.4 MICRON Ra BRUSHED FINISH

PROTECTION: IP66