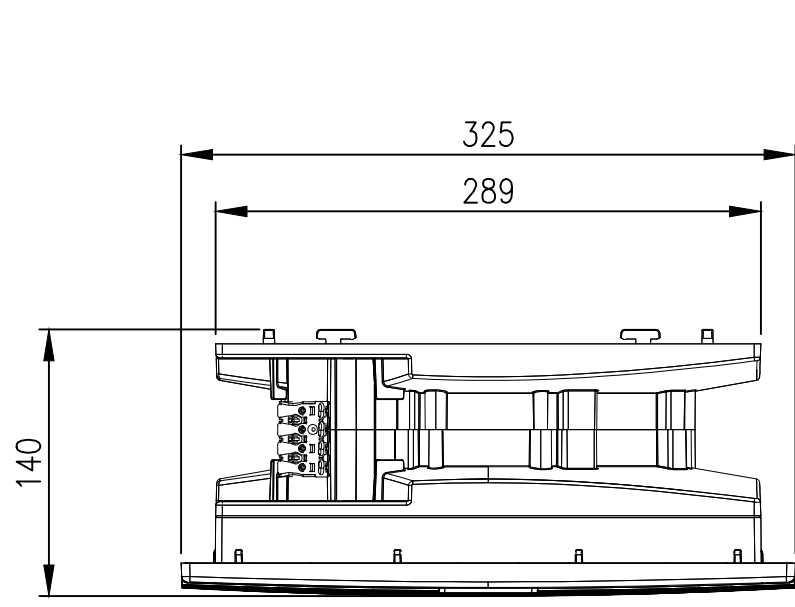
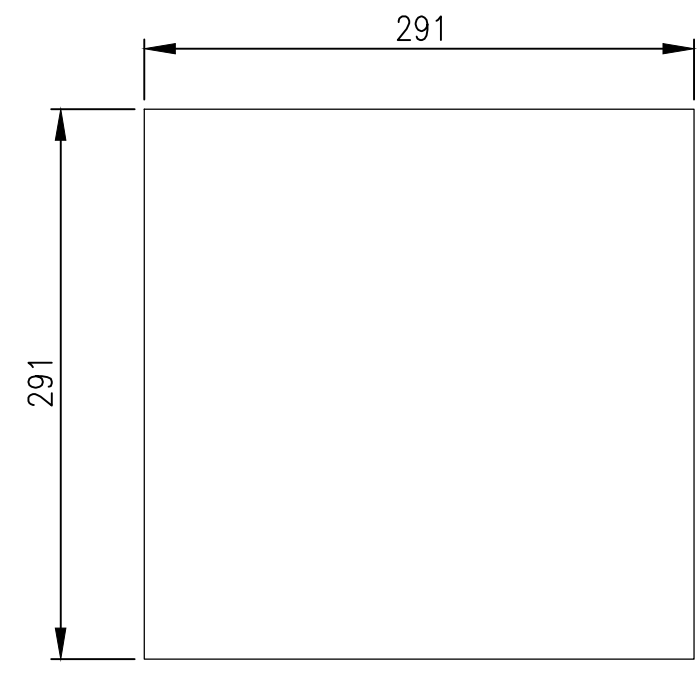


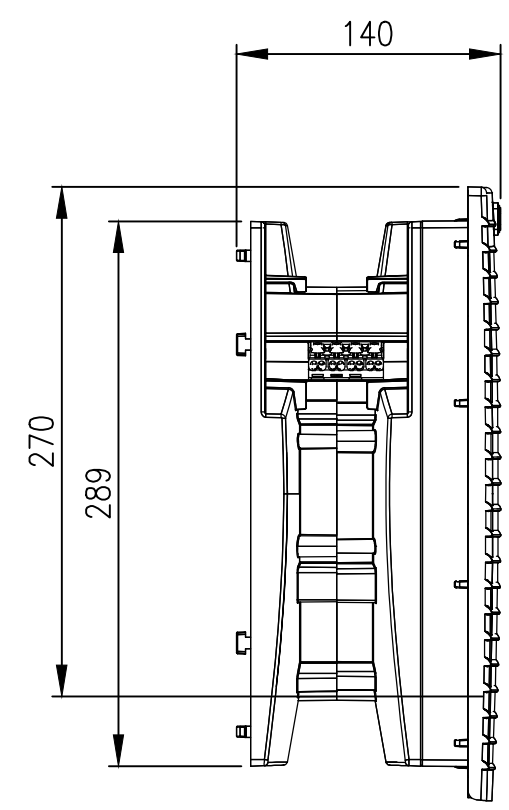
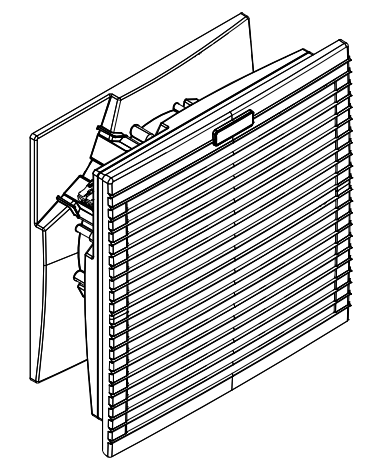
RevNo	Revision note	Date	Signature	Checked
0	GENERAL REVISION		IP	IP



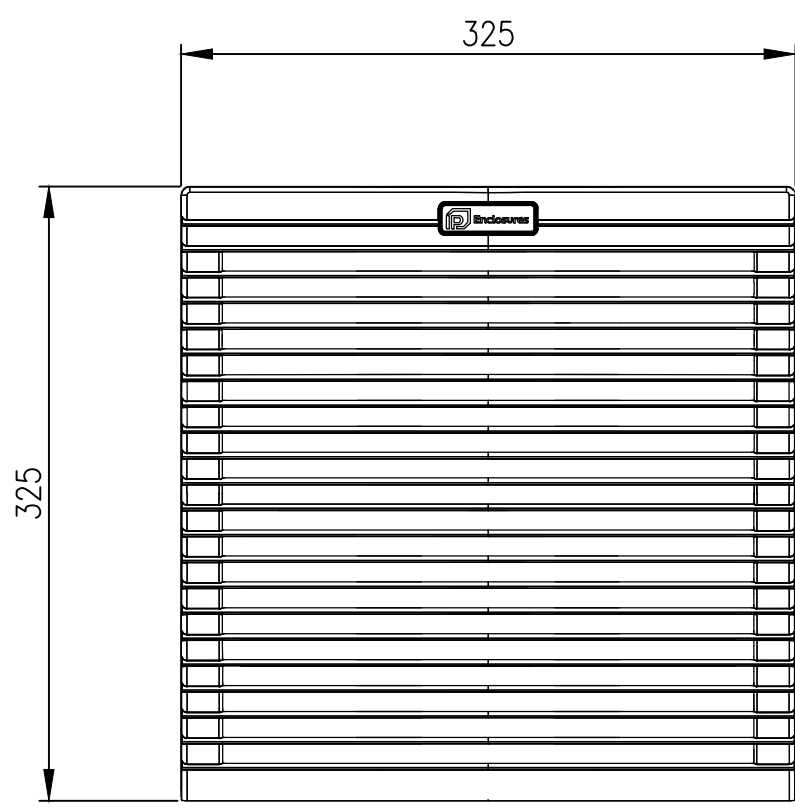
TOP VIEW



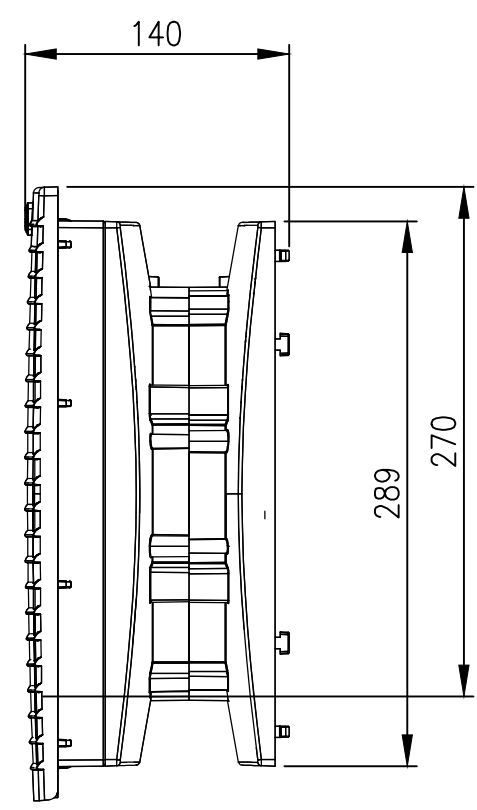
CUT-OUT DIMENSION



LEFT SIDE VIEW



FRONT VIEW



RIGHT SIDE VIEW

MATERIAL
 ALL MOLDED PARTS: ABS, UL94V-0
 WALL THICKNESS: 1.2-2.4mm
 GASKET: FOAM SEAL GASKET
 MOUNTING: FAST CLIP-ON
 FILTER MAT EN779: G3
 STANDARD COLOUR: RAL7035
 AIR FLOW RATE: 550(620)m³/hr
 FAN DIMENSIONS: 325x325x140mm
 CUT-OUT DIMENSIONS: 291x291mm

MASS (WITH PACKAGING): 3.00(3.25)kg.

PROTECTION: IP54/CLASS I

© IP ENCLOSURES 2022.
 THIS DRAWING SHALL NOT BE COPIED OR REPRODUCED
 WITHOUT AUTHORISATION FROM IP ENCLOSURES.
 www.ipenclosures.com.au

Itemref	Quantity	Title/Name, designation, material, dimension etc	Article No./Reference
IP	IP	325x325x140 FILTER FAN	IP-V5400
Designed by	Checked by	Approved by - date	Filename Date Scale
IP	IP		IP-V5400 24/06/22 1:4
IP Enclosures		Edition	Sheet
		0	1/1