

550m3/hr - 700m3/hr 325mm x 325mm

IP Enclosures provide a wide range of ventilation products for electrical enclosures. The front-opening grille allows filters to be easily maintained from the outside of the enclosure. All molded parts are made of highly resistant and self-extinguishing ABS. IP Enclosures ventilation products are manufactured to the highest quality in Italy.

**Protection:** IP54 (or IP55 if used with High Efficiency Filter Mat IP-VFXX or Vent Hood)

**Conformity:** 

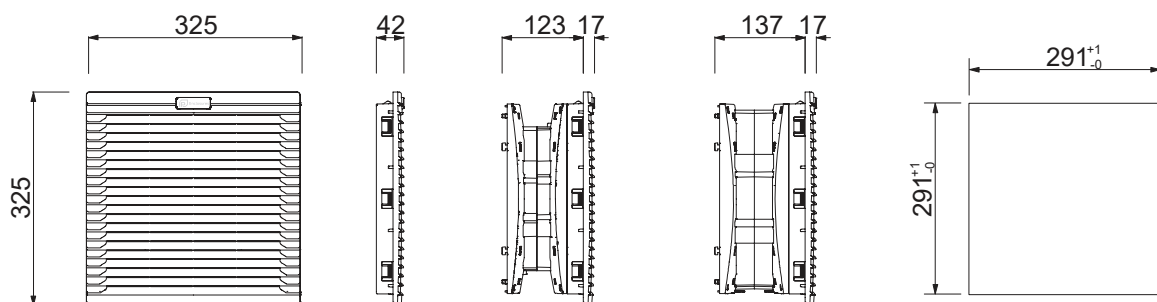
**Material:** ABS UL94V-0 Colour RAL7035(Optional Colour Black)

**Flow Direction:** Reversible



| Features                       | Unit    | IP-V5000                  | IP-V5400                                       | IP-V5401    | IP-V5440         | IP-V5500                   | IP-V5501    |
|--------------------------------|---------|---------------------------|--|-------------|------------------|----------------------------|-------------|
| Air flow rate (free blow)      | m3/h    | -                         | 550 (620)                                      |             |                  | 700 (770)                  |             |
| Air flow rate with exit filter | m3/h    | -                         | 405 (450)                                      |             |                  | 520 (575)                  |             |
| Power supply                   | V/Hz    | -                         | 230 / 50-60                                    | 115 / 50-60 | 400 / 50-60 / 3~ | 230 / 50-60                | 115 / 50-60 |
| Dimensions HxWxD               | mm      | 325x325x42                | 325x325x140                                    |             |                  | 325x325x154                |             |
| Power consumption              | W       | -                         | 70 (90)  |             | 60 (70)          | 130 (180)                  |             |
| Current consumption            | A       | -                         | 0.40 (0.38)                                    | 0.80 (0.76) | 0.18 (0.15)      | 0.55 (0.81)                | 1.10 (1.62) |
| Overcurrent protection         | -       | -                         | thermal  |             |                  |                            |             |
| Electrical connection          | -       | -                         | 3-poles spring terminals *                     |             | 4-p s t*         | 3-poles spring terminals * |             |
| Duty cycle                     | -       | -                         | 100%   |             |                  |                            |             |
| Operating temperature          | °C (°F) | -10 / +70 (+14/+158)      |  |             |                  |                            |             |
| Protection degree / Class      | -       | IP54                      | IP54 / Class I                                 |             |                  |                            |             |
| Noise level                    | dB(A)   | -                         | 65 (68)  |             |                  | 72 (73)                    |             |
| Flow direction                 | -       | -                         | reversible, default factory setting outside-in |             |                  |                            |             |
| Bearing                        | -       | -                         | ball   |             |                  |                            |             |
| Filter mat EN779               | -       | G3                        | G3   |             |                  |                            |             |
| Service life (at 40°C)         | hr      | -                         | 50 000   |             |                  |                            |             |
| Material                       | -       | ABS UL94V-0 color RAL7035 |  |             |                  |                            |             |
| Wall thickness                 | mm      | 1.2 - 2.4                 |  |             |                  |                            |             |
| Gasket                         | -       | foam seal gasket          |  |             |                  |                            |             |
| Weight (with packaging)        | kg      | 0.90(1.04)                | 3.00(3.25)                                     |             |                  | 3.55(3.80)                 |             |
| Package dimensions             | mm      | 340x340x45                | 340x340x175                                    |             |                  |                            |             |
| Mounting                       | -       | fast clip-on              |  |             |                  |                            |             |
| Conformity/Certifications      | -       | CE                        |  |             |                  |                            |             |

\* 0.5-2.5mm<sup>2</sup>



IP-V5400

IP-V5000 IP-V5400-5448 IP-V5500-5501

Cut-Out Dimensions

550m<sup>3</sup>/hr - 700m<sup>3</sup>/hr 325mm x 325mm

