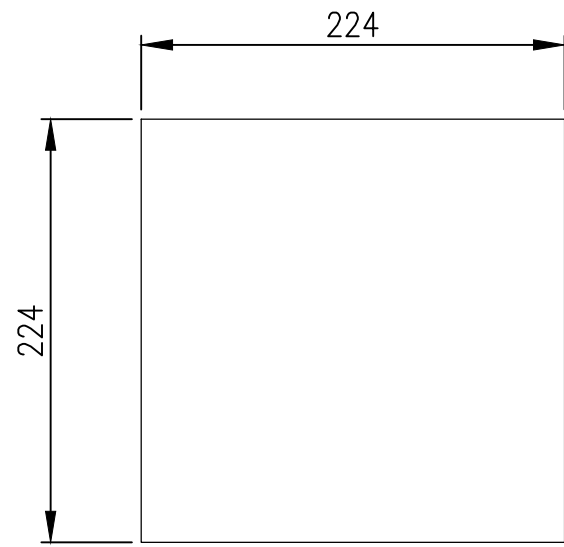
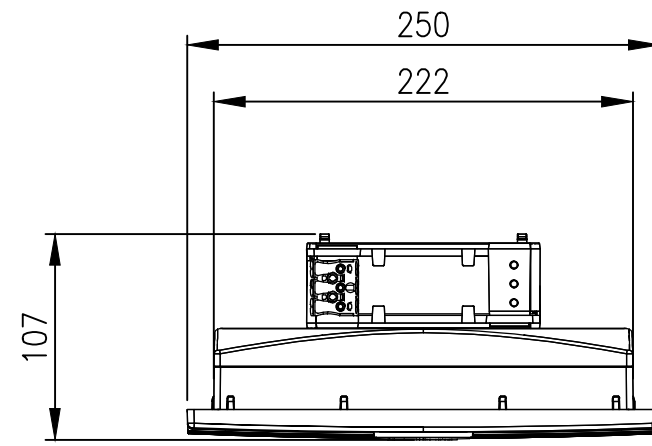


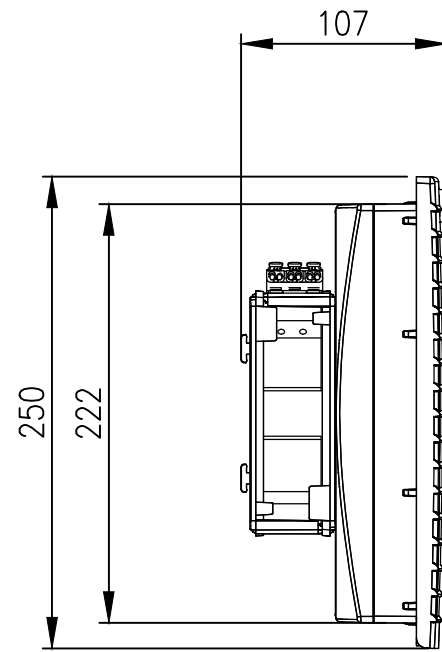
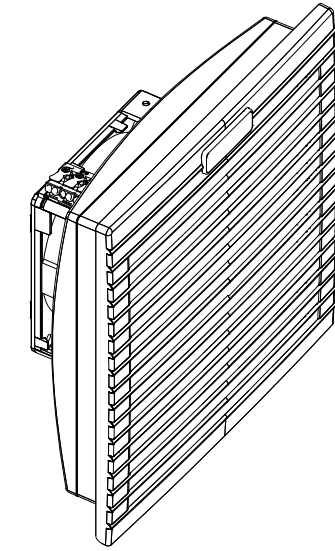
RevNo	Revision note	Date	Signature	Checked
0	GENERAL REVISION		IP	IP



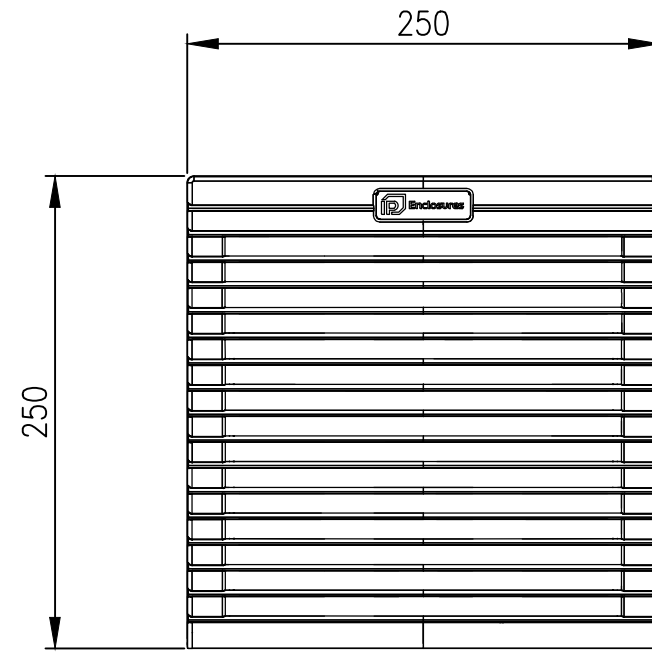
CUT-OUT DIMENSION



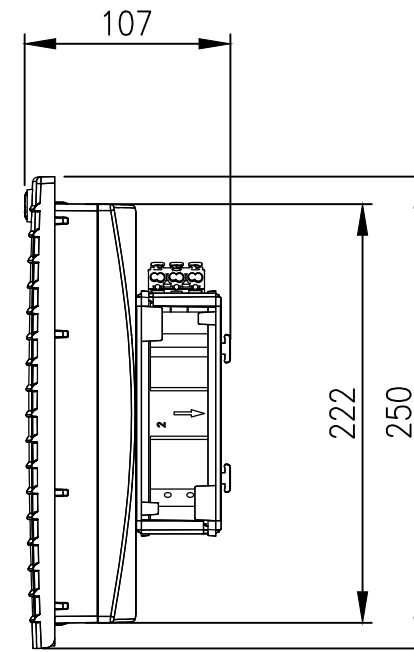
TOP VIEW



LEFT SIDE VIEW



FRONT VIEW



RIGHT SIDE VIEW

MATERIAL
 ALL MOLDED PARTS: ABS, UL94V-0
 WALL THICKNESS: 1.2-2.4mm
 GASKET: FOAM SEAL GASKET
 MOUNTING: FAST CLIP-ON
 FILTER MAT EN779: G3
 STANDARD COLOUR: RAL7035
 AIR FLOW RATE: 125(135)m³/hr
 FAN DIMENSIONS: 250x250x107mm
 CUT-OUT DIMENSIONS: 224x224mm

MASS (WITH PACKAGING): 1.30(1.50)kg.

PROTECTION: IP54/CLASS I

Itemref	Quantity	Title/Name, designation, material, dimension etc	Article No./Reference
IP	1	250x250x107 FILTER FAN	IP-V4200
Designed by	Checked by	Approved by - date	Filename
IP	IP		IP-V4200
			Date
			23/06/22
			Scale
			1:4
Edition		Sheet	
0		1/1	