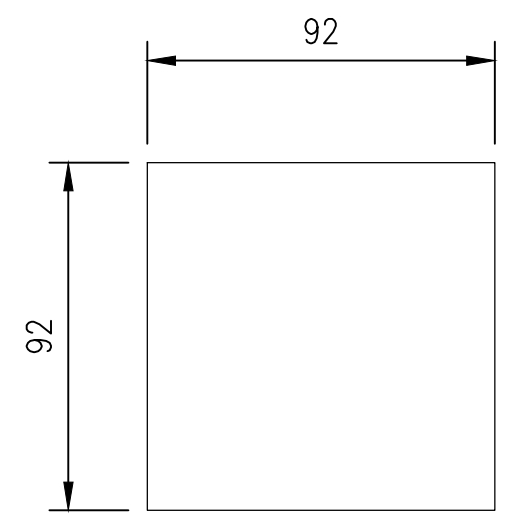
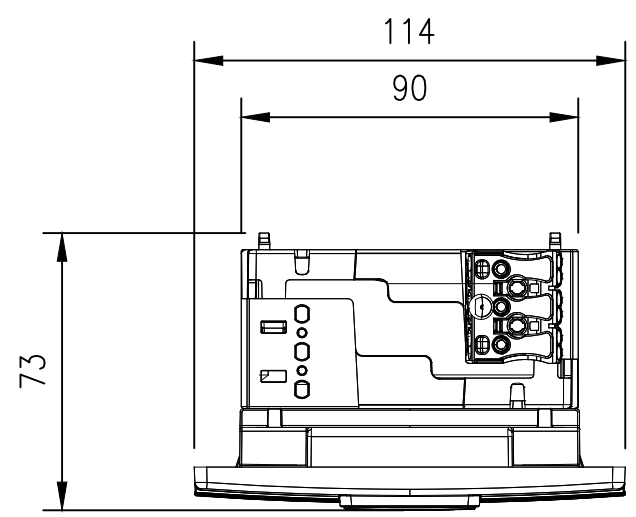


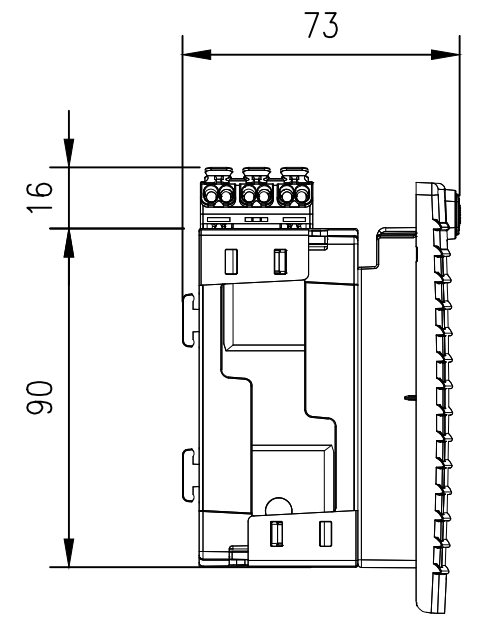
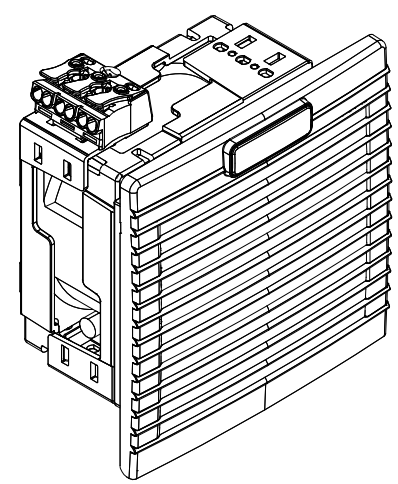
RevNo	Revision note	Date	Signature	Checked
0	GENERAL REVISION		IP	IP



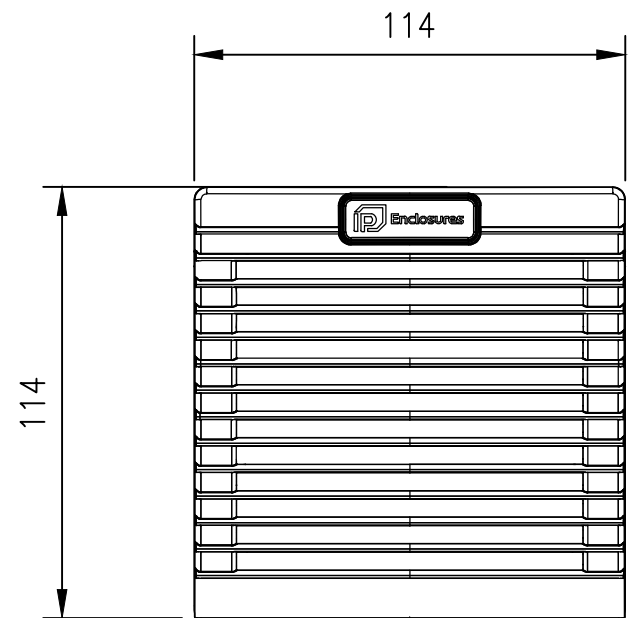
CUT-OUT DIMENSION



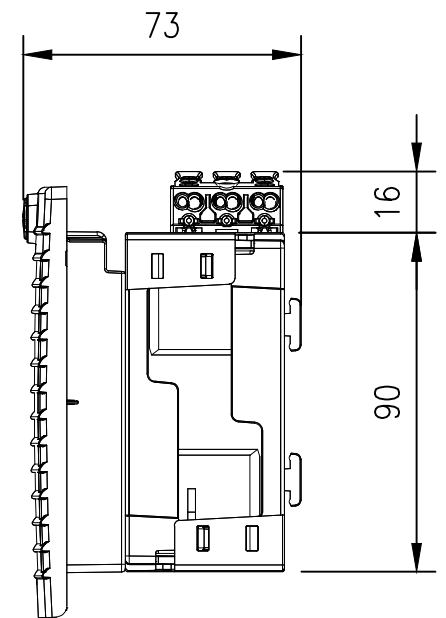
TOP VIEW



LEFT SIDE VIEW



FRONT VIEW



RIGHT SIDE VIEW

**MATERIAL**  
 ALL MOLDED PARTS: ABS, UL94V-0  
 WALL THICKNESS: 1.2-2.4mm  
 GASKET: FOAM SEAL GASKET  
 MOUNTING: FAST CLIP-ON  
 FILTER MAT EN779: G2  
 STANDARD COLOUR: RAL7035  
 AIR FLOW RATE: 26(30)m<sup>3</sup>/hr  
 FAN DIMENSIONS: 114Hx114Wx73Dmm  
 CUT-OUT DIMENSIONS: 92mmx92mm

MASS (WITH PACKAGING): 0.41(0.46)kg.

PROTECTION: IP54/CLASS I

© IP ENCLOSURES 2022.  
 THIS DRAWING SHALL NOT BE COPIED OR REPRODUCED  
 WITHOUT AUTHORISATION FROM IP ENCLOSURES.  
 www.ipenclosures.com.au

Itemref	Quantity	Title/Name, designation, material, dimension etc	Article No./Reference
IP	1	114x114x73 FILTER FAN	IP-V1100
Designed by	Checked by	Approved by - date	Filename Date Scale
IP	IP		IP-V1100 21/06/22 1:2
IP Enclosures			Edition Sheet
IP-V1100			0 1/1