

# SST TERMINAL BOX

# IP-SST404012

316 STAINLESS STEEL | IP66, IP67

400H x 400W x 120D

The IP Enclosures SST Range of grade 316 stainless steel terminal boxes are designed for use even to the most demanding industrial environments.

**Protection:** IP66, IP67, NEMA 4x

**Standard:** UL508A Certified 

**Material:**

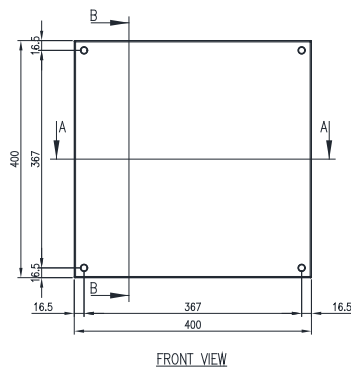
- Body: 1.0mm. Grade 316 stainless steel
- Door: 1.0mm. Grade 316 stainless steel
- Seal: Silicone

**Body:** The robust body is fabricated using 1.0mm Grade 316 Stainless Steel and incorporates a high quality Silicone seal.

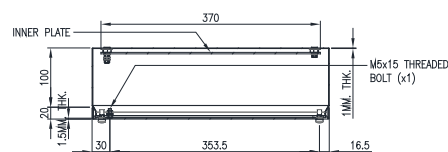
**Lid/Door:** The robust pre-drilled lid/door is fabricated using 1.00mm Grade 316 Stainless Steel and is fastened using screws.

**Seal:** A high quality Silicone seal.

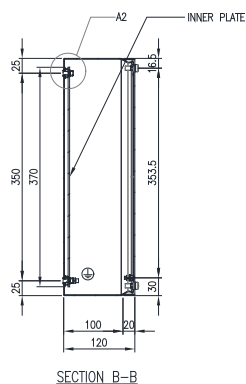
**Internal Plate:** The inner plate is fabricated using 2.5mm sheet steel, supplied pre-fitted into the terminal box as standard.



FRONT VIEW



SECTION A-A



SECTION B-B

