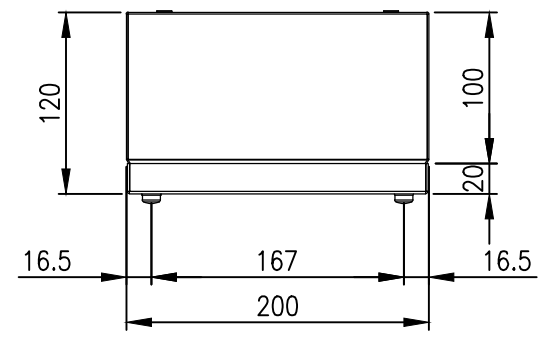
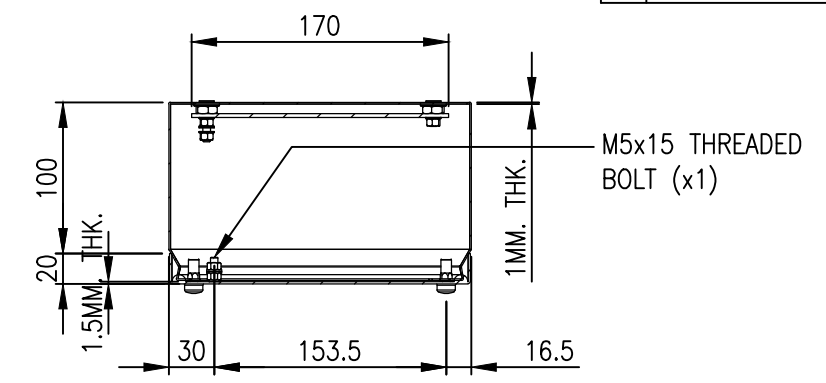


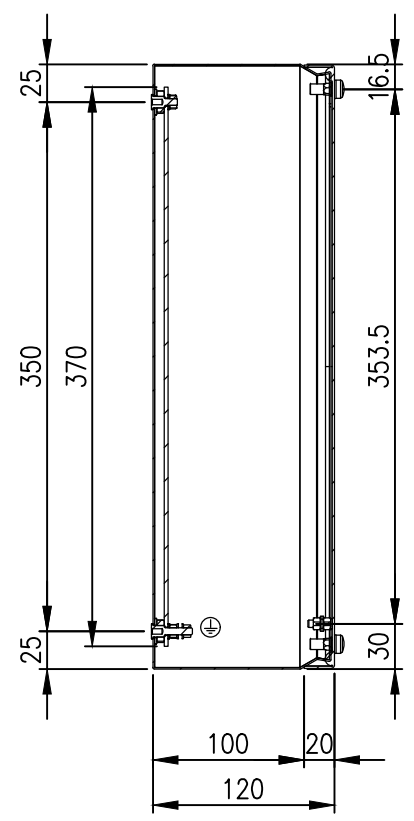
RevNo	Revision note	Date	Signature	Checked
0	GENERAL REVISION		IP	IP



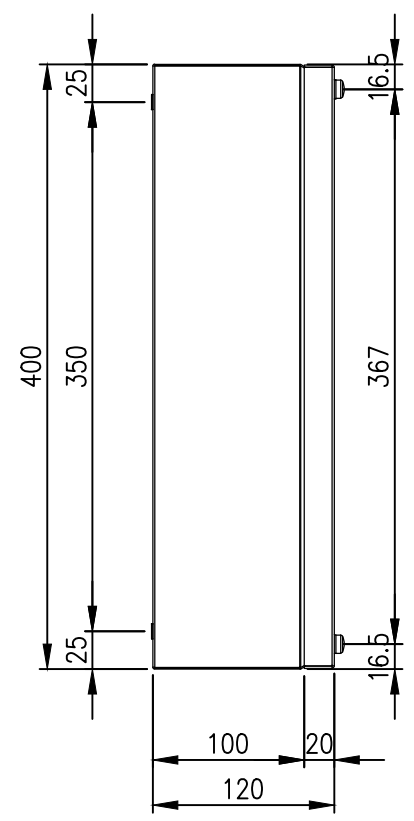
TOP VIEW



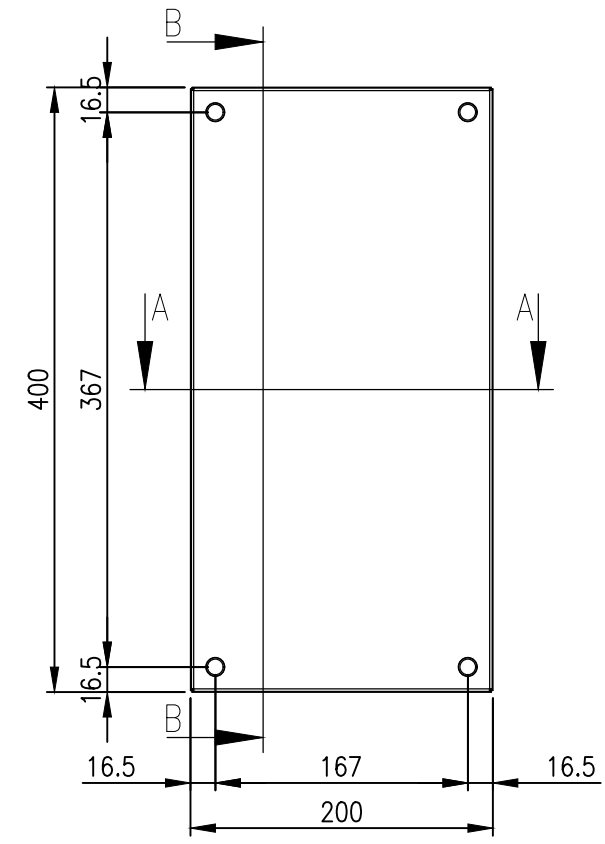
SECTION A-A



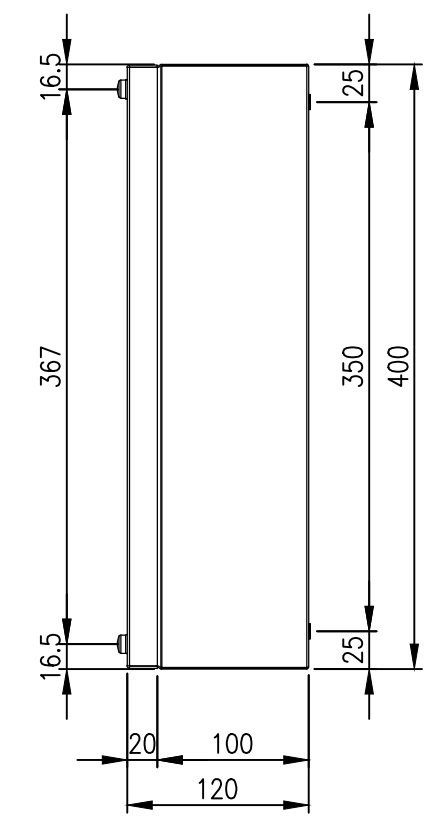
SECTION B-B



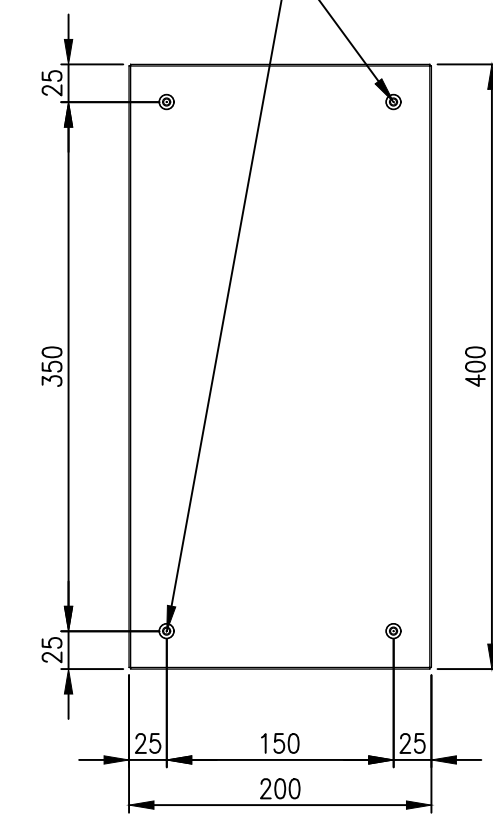
LEFT SIDE VIEW



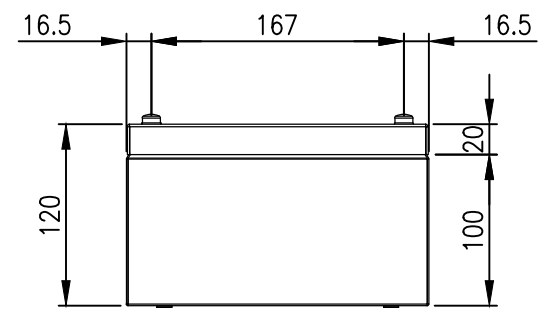
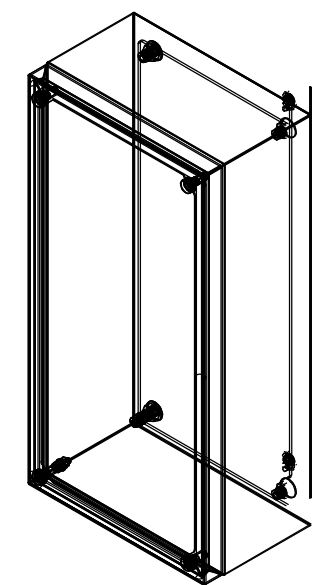
FRONT VIEW



RIGHT SIDE VIEW



REAR VIEW



BOTTOM VIEW

**MATERIAL**  
 BODY: 1.0mm 316 STAINLESS STEEL  
 DOOR: 1.0mm 316 STAINLESS STEEL  
 SEAL: SILICONE

**PROTECTION:** IP66, IP67, NEMA 4x

© IP ENCLOSURES 2023.  
 THIS DRAWING SHALL NOT BE COPIED OR REPRODUCED  
 WITHOUT AUTHORISATION FROM IP ENCLOSURES.  
 www.ipenclosures.com.au

Itemref	Quantity	Title/Name, designation, material, dimension etc	Article No./Reference
IP	1	400x200x120 316SS TERMINAL BOX	IP-SST402012
Designed by	Checked by	Approved by - date	Filename
IP	IP	22/05/23	IP-SST402012
Date	Scale	Edition	Sheet
22/05/23	1:5	0	1/1

