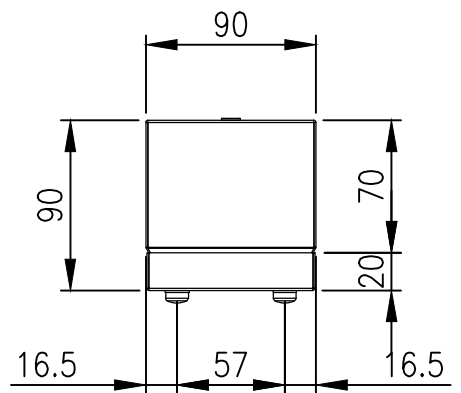
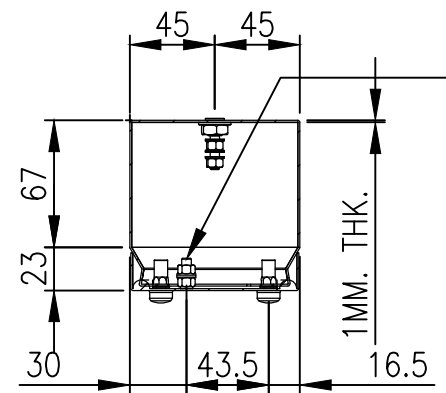


| | | | | |
|-------|------------------|------|-----------|---------|
| RevNo | Revision note | Date | Signature | Checked |
| 0 | GENERAL REVISION | | IP | IP |

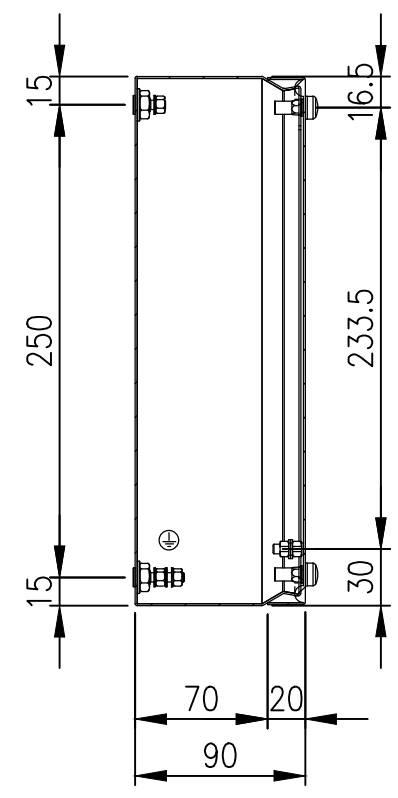


TOP VIEW

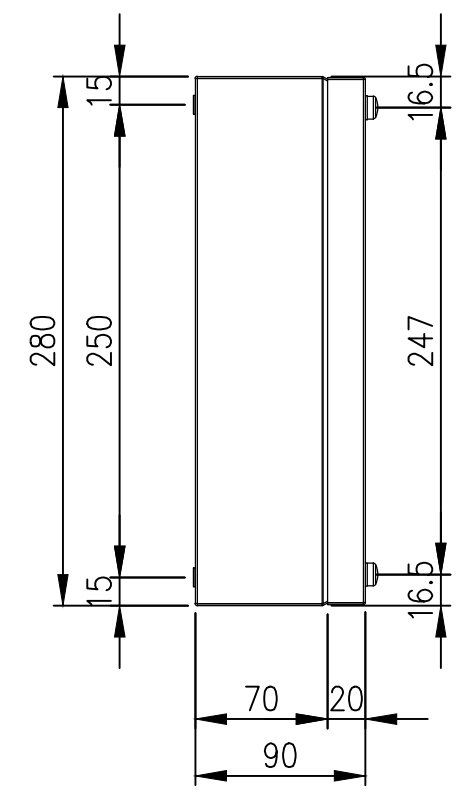


SECTION A-A

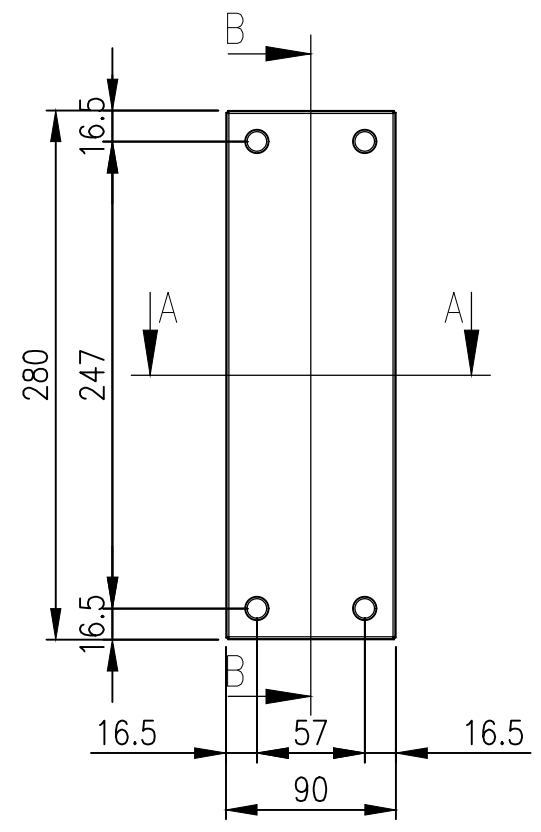
M5x15 THREADED BOLT (x1)



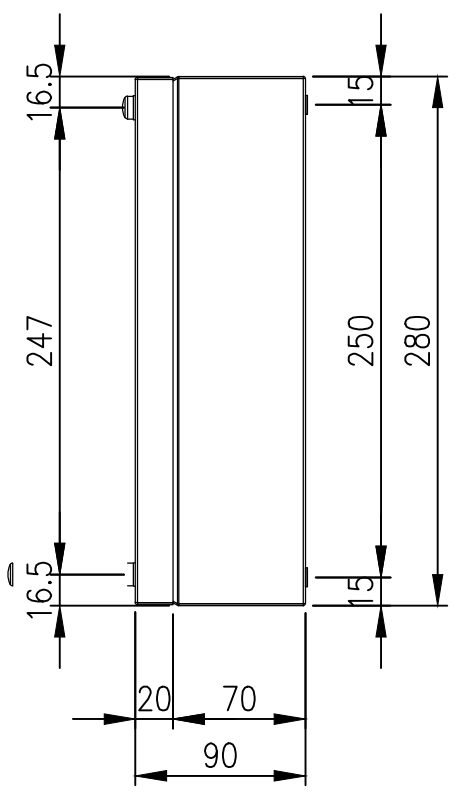
SECTION B-B



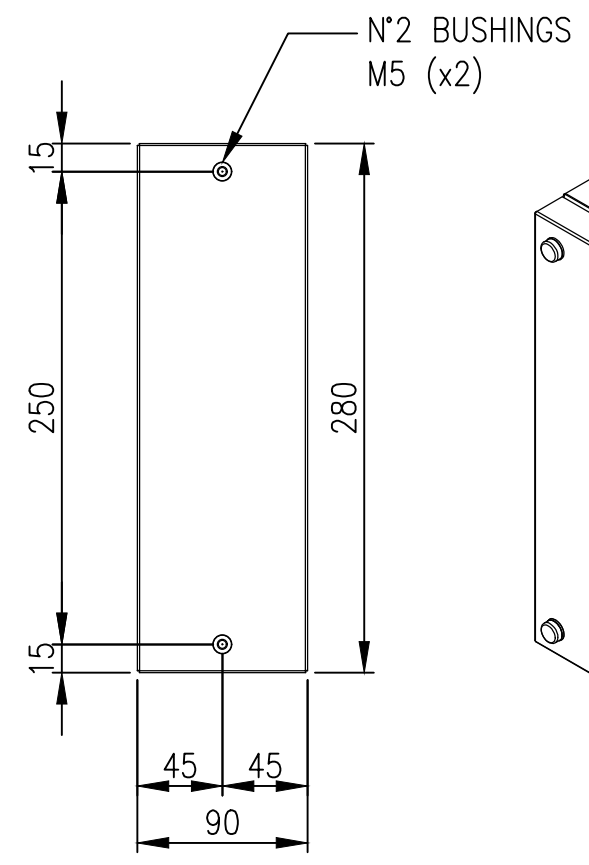
LEFT SIDE VIEW



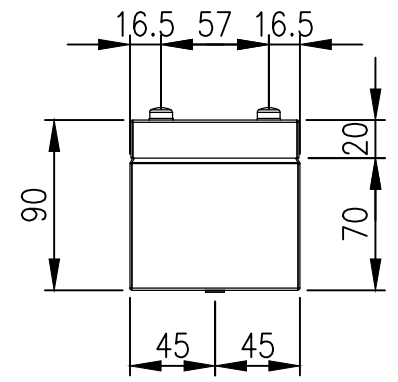
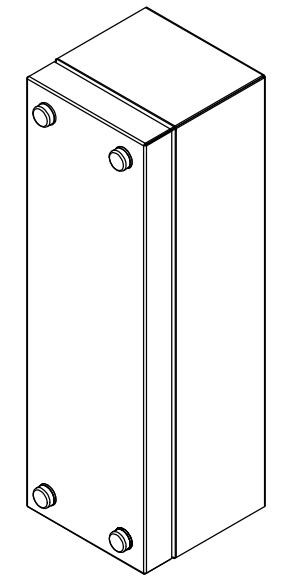
FRONT VIEW



RIGHT SIDE VIEW



REAR VIEW



BOTTOM VIEW

MATERIAL
 BODY: 1.0mm 316 STAINLESS STEEL
 DOOR: 1.0mm 316 STAINLESS STEEL
 SEAL: SILICONE

PROTECTION: IP66, IP67, NEMA 4x

© IP ENCLOSURES 2023.
 THIS DRAWING SHALL NOT BE COPIED OR REPRODUCED
 WITHOUT AUTHORISATION FROM IP ENCLOSURES.
 www.ipenclosures.com.au

| | | | |
|-------------|------------|--|-----------------------|
| Itemref | Quantity | Title/Name, designation, material, dimension etc | Article No./Reference |
| IP | 1 | 280x90x90 316SS TERMINAL BOX | IP-SST280909 |
| Designed by | Checked by | Approved by - date | Filename |
| IP | IP | 22/05/23 | IP-SST280909 |
| Date | Scale | Edition | |
| 22/05/23 | 1:4 | 0 | |
| Sheet | | | 1/1 |