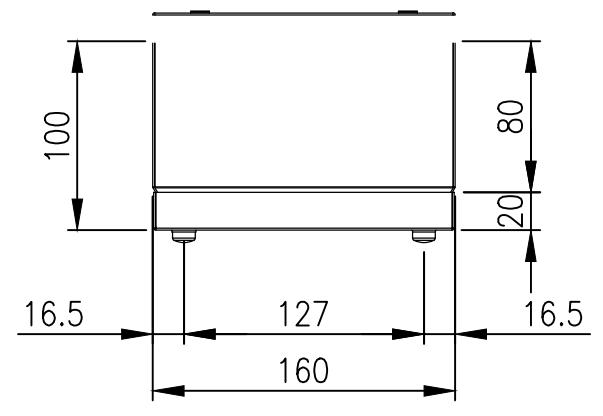
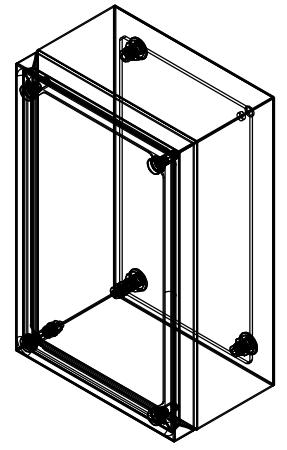
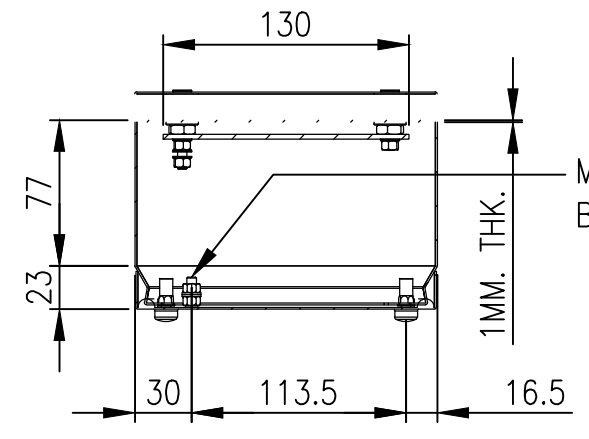


RevNo	Revision note	Date	Signature	Checked
0	GENERAL REVISION		IP	IP



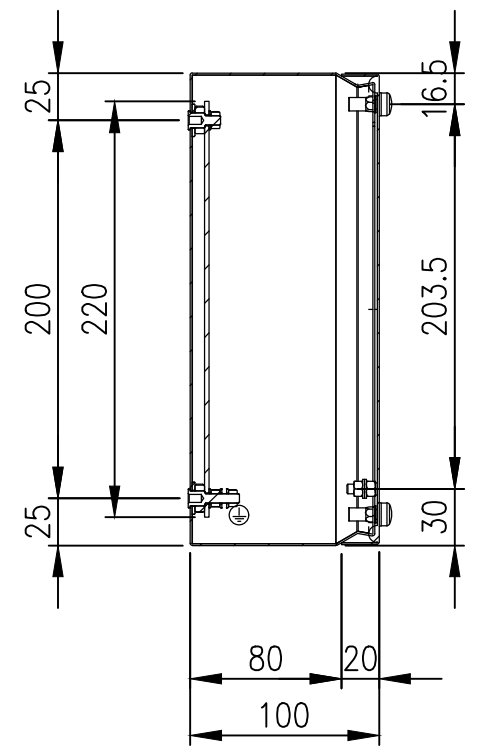
TOP VIEW



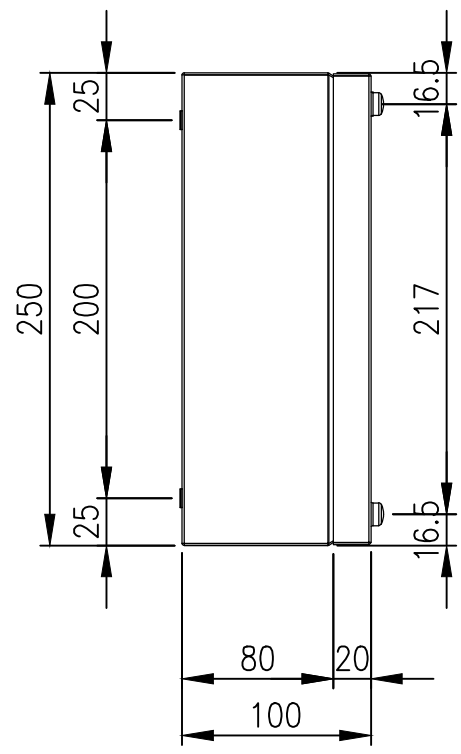
SECTION A-A

M5x15 THREADED BOLT (x1)

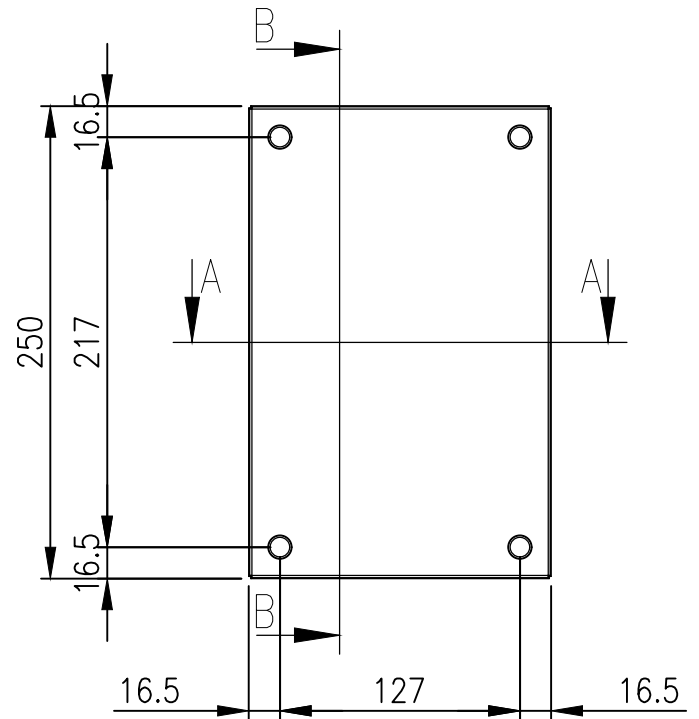
N°4 BUSHINGS M5 (x3)



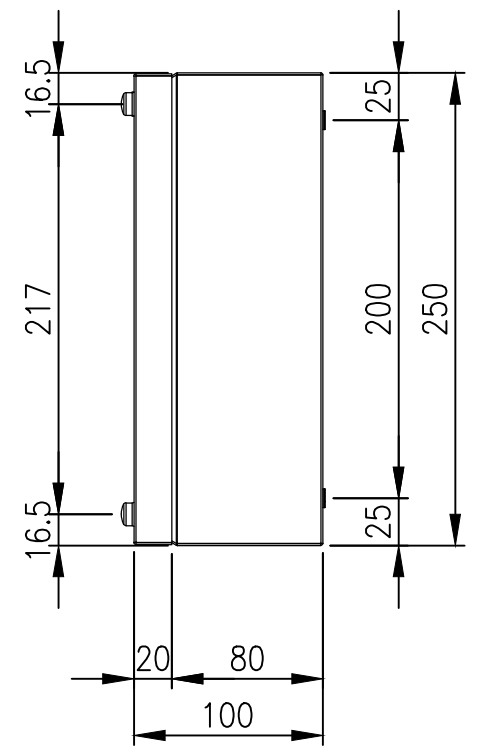
SECTION B-B



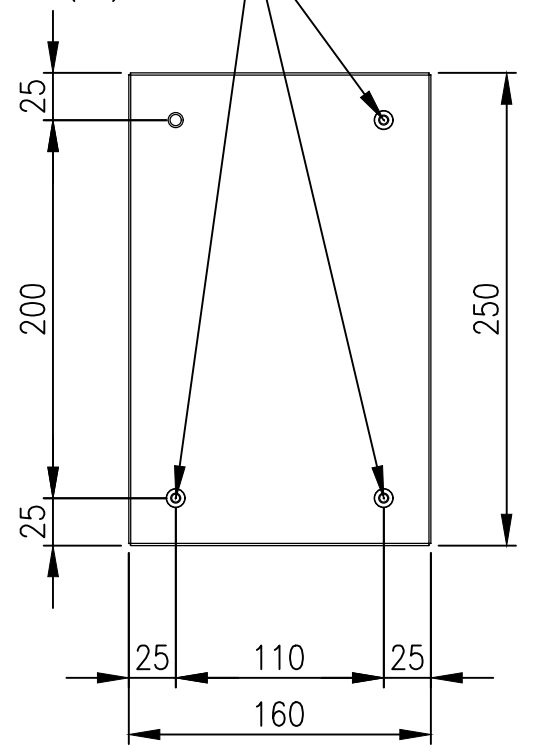
LEFT SIDE VIEW



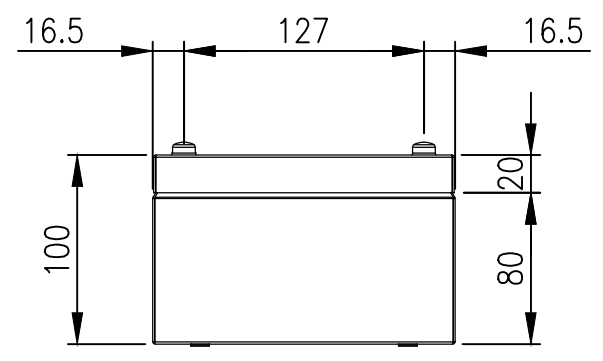
FRONT VIEW



RIGHT SIDE VIEW



REAR VIEW



BOTTOM VIEW

MATERIAL
 BODY: 1.0mm 316 STAINLESS STEEL
 DOOR: 1.0mm 316 STAINLESS STEEL
 SEAL: SILICONE

PROTECTION: IP66, IP67, NEMA 4x

© IP ENCLOSURES 2023.
 THIS DRAWING SHALL NOT BE COPIED OR REPRODUCED
 WITHOUT AUTHORISATION FROM IP ENCLOSURES.
 www.ipenclosures.com.au

Itemref	Quantity	Title/Name, designation, material, dimension etc	Article No./Reference
Designed by IP	Checked by IP	Approved by - date 22/05/23	Filename IP-SST251610
		Date 22/05/23	Scale 1:4
			250x160x100 316SS TERMINAL BOX IP-SST251610
Edition 0			Sheet 1/1