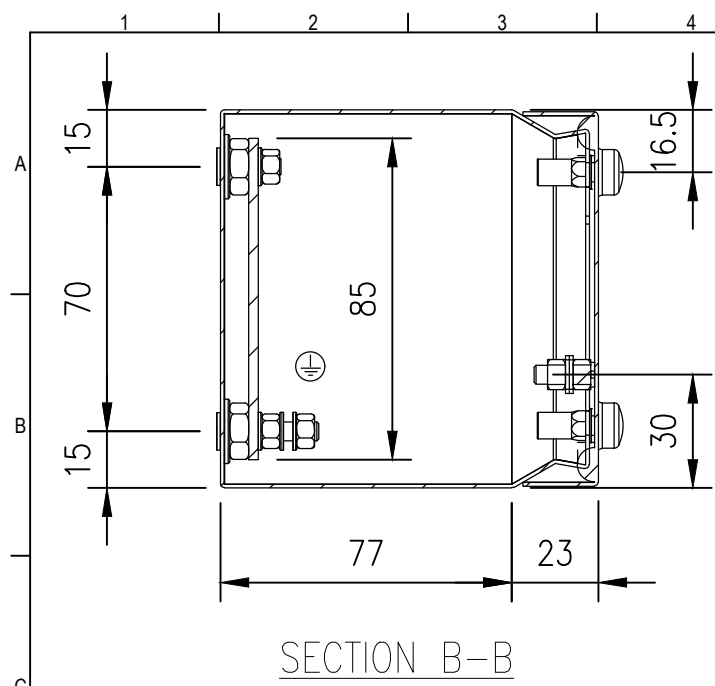
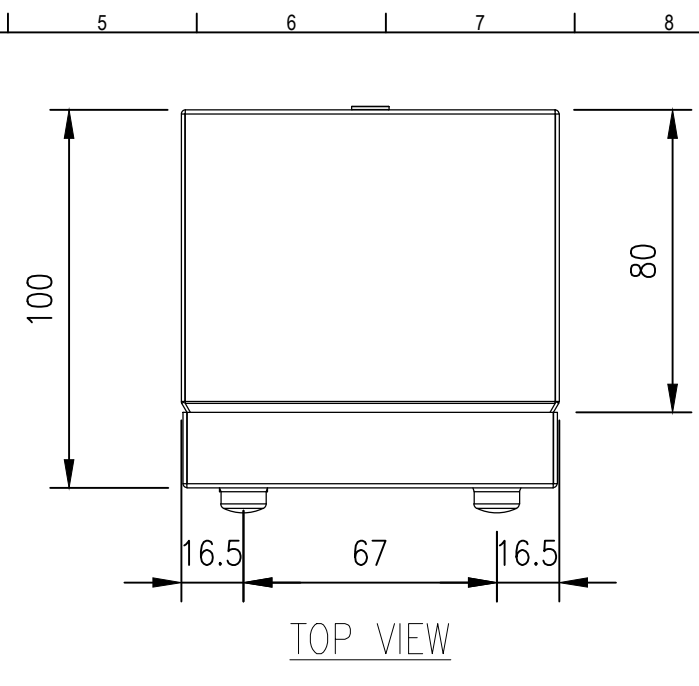


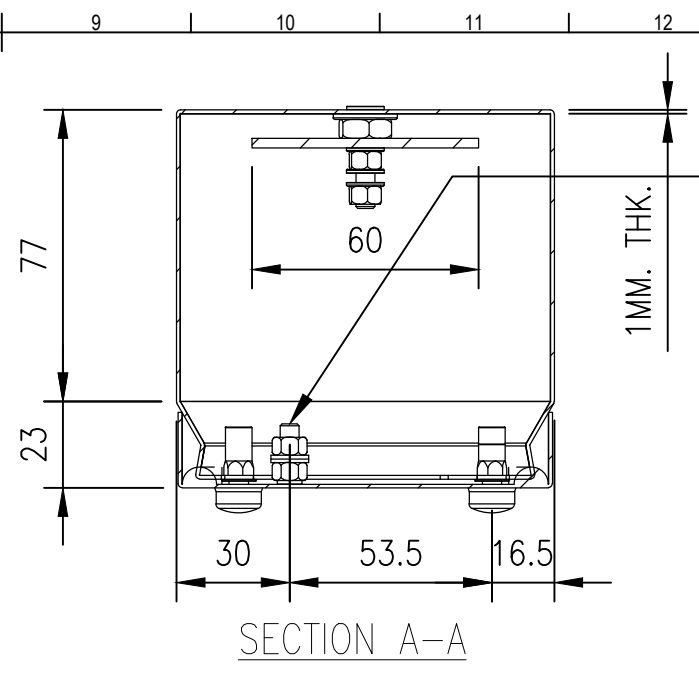
RevNo	Revision note	Date	Signature	Checked
0	GENERAL REVISION		IP	IP



SECTION B-B

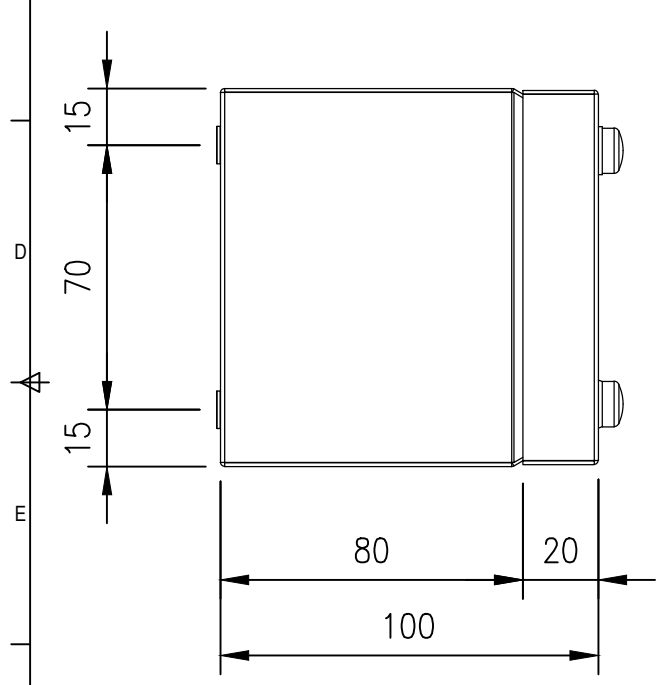
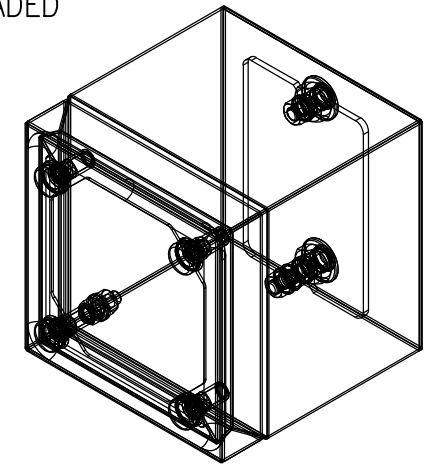


TOP VIEW

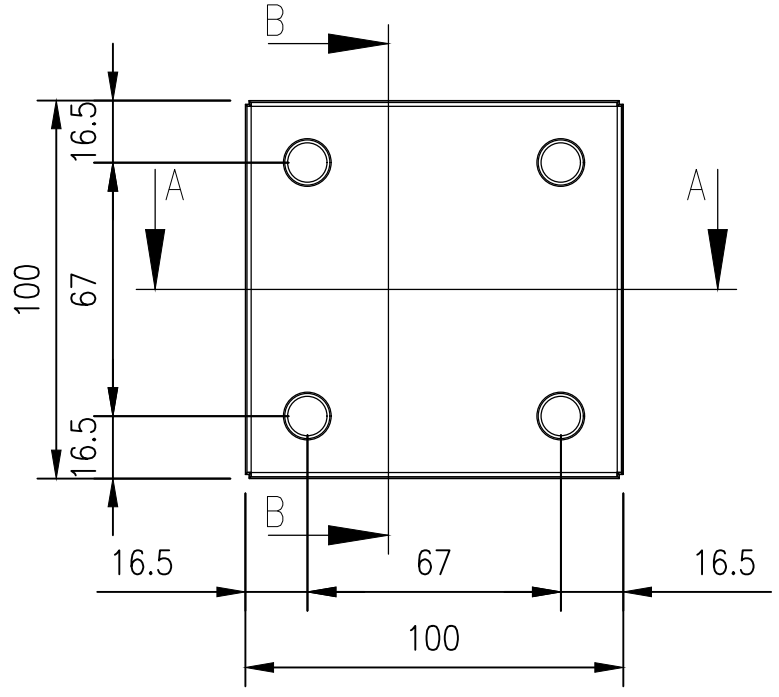


SECTION A-A

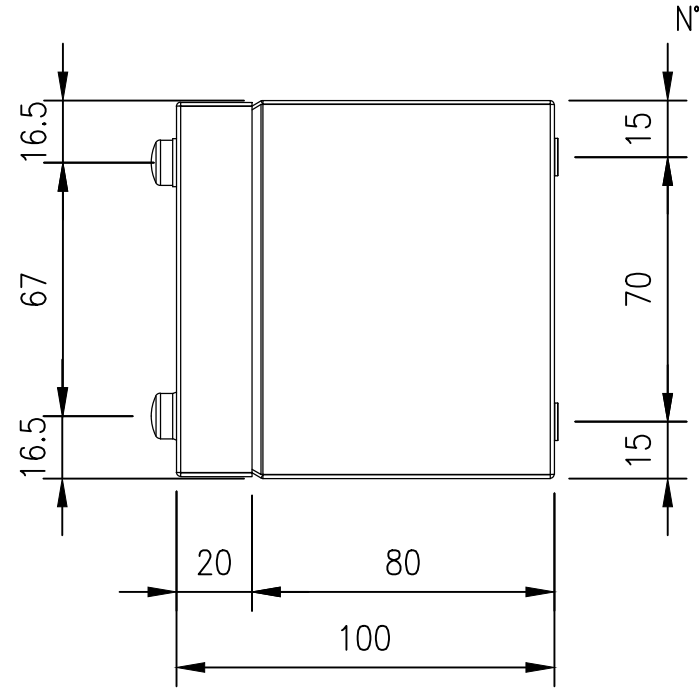
M5x15 THREADED BOLT (x1)



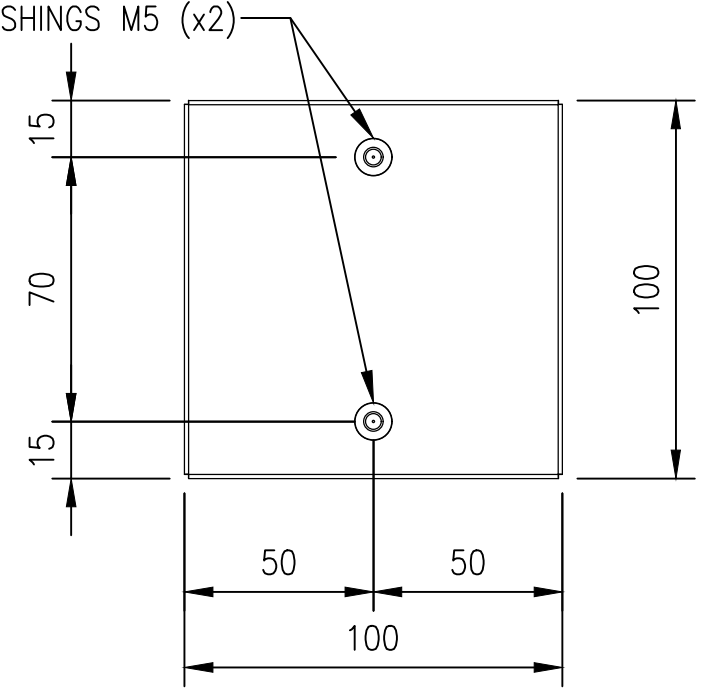
LEFT SIDE VIEW



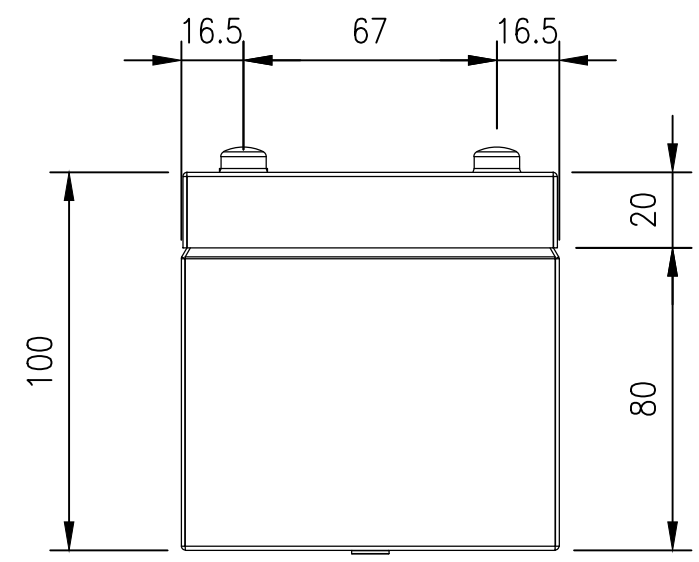
FRONT VIEW



RIGHT SIDE VIEW



REAR VIEW



BOTTOM VIEW

N°2 BUSHINGS M5 (x2)

MATERIAL
 BODY: 1.0mm 316 STAINLESS STEEL
 DOOR: 1.0mm 316 STAINLESS STEEL
 SEAL: SILICONE

PROTECTION: IP66, IP67, NEMA 4x

© IP ENCLOSURES 2023.
 THIS DRAWING SHALL NOT BE COPIED OR REPRODUCED
 WITHOUT AUTHORISATION FROM IP ENCLOSURES.
 www.ipenclosures.com.au

Itemref	Quantity	Title/Name, designation, material, dimension etc	Article No./Reference
IP	1	100x100x100 316SS TERMINAL BOX	IP-SST101010
Designed by	Checked by	Approved by - date	Filename
IP	IP	22/05/23	IP-SST101010
Date	Scale	Edition	
22/05/23	1:2	0	
Sheet			1/1