

# SSSR1 Electrical Enclosure

# IP-SSSR808030

STAINLESS STEEL | SLOPING ROOF | IP66

800H x 800W x 300D

The SSSR range of 316L stainless steel 30° sloping roof single door enclosures are designed to house a variety of electrical switch and control equipment while preventing build-up of dust, debris and waste material. They are suitable for extreme duty applications.

**Protection:** IP66 IK10 (NEMA 4x)

**Standards (& Conformities):** IEC/EN 60529, IEC/EN 62208, IEC/EN 61439, RoHS



**Material:**

- Body: 1.5mm Grade 316L stainless steel
- Door: 1.5mm Grade 316L stainless steel
- Device Mounting Plate: 1.5mm Galvanised steel sheet
- Seal: Polyurethane

**Surface Finish:** 0.4 micron Ra surface brushed finish.

**Enclosure Body:** The robust monoblock body with sloping roof is fabricated using 1.5mm Grade 316L stainless steel. Flat face sealing surfaces are provided to increase seal life. Pre-fitted blind nutserts are incorporated to accommodate mounting and accessories. The roof consists of a sloped roof design that protrudes past the seal, flush with the front of the door face.

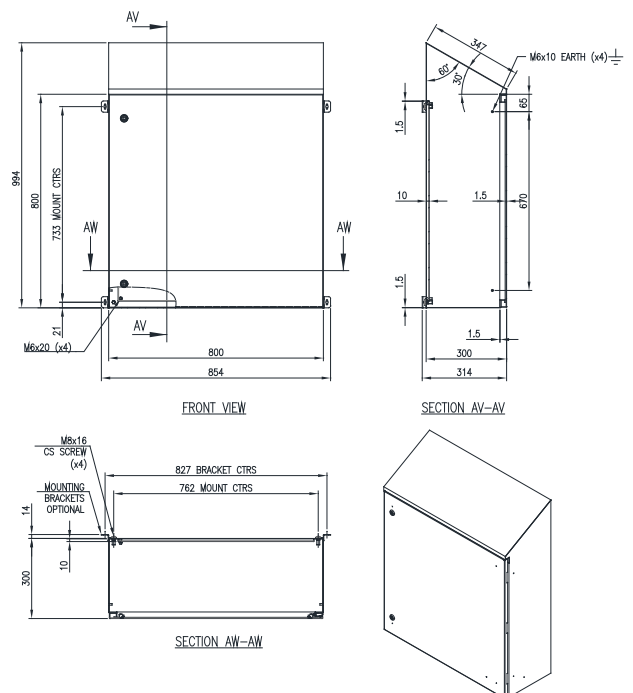
**Enclosure Door:** The robust surface mounted door is fabricated using 1.5mm Grade 316L stainless steel and incorporates concealed removable hinges with captive pins. The door is designed for a 110° opening. Each door contains cable management rails, an M6 earth stud and a high quality machine-applied foamed in place (FIP) Polyurethane seal.

**Enclosure Seal:** A high quality machine-applied full perimeter UL listed Polyurethane seal foamed in place (FIP) provides excellent sealing over a long life. Temperature resistance -40°C to 80°C (160°C short term loading).

**Enclosure Lock:** Grade 316 stainless steel 8mm square drive quarter turn lock with key.

**Device Mounting Plate:** The device mounting plate is 1.5mm galvanised steel sheet. It is pressed to provide strength and supplied pre-fitted into the enclosure as standard.

**Mass:** 40.2Kg.



# SSSR1 Electrical Enclosure

# IP-SSSR808030

STAINLESS STEEL | SLOPING ROOF | IP66

800H x 800W x 300D

## ACCESSORIES:

Part Number	Description
IP-EK01	Standard Earthing Kit
IP-SS8080WINDOOR	316 Stainless Steel Enclosure Door with Window 800mmH x 800mmW
IP-SSWMBKIT	316 Stainless Steel Wall-Mounting Bracket Kit (with 4x Brackets and Fasteners)
IP-L031	316 Stainless Steel Wing Knob Padlockable
IP-SS8080DOOR3PL	316 Stainless Steel 800H x 800W Door with 3-Point Locking and Key-Lock Swing Handle

## CERTIFICATES:

IEC 60529 Degrees of protection provided by enclosures: Certificate AB-0386-T 1902.14 02/00  
IEC/EN 62208 Empty Enclosures for low-voltage switchgear and controlgear assemblies: Certificate 0366932-TSE-01/01  
IEC/EN61439-1, 61439-2 low voltage switchgear and controlgear assemblies: Certificate AB-0341-T, 23-297-R1-N1-1  
CE Certificate of Compliance: Certificate SZL-21 MA 13338-1  
UKCA Certificate of Compliance: Certificate SZU-22 MA 19560-1  
UL: Listing Number E534557

## IEC/EN 61439 Certified Test Ratings:

Rated Voltage: 400 V AC  
Rated Insulation Voltage: 690 V  
Rated Impulse Withstand Voltage: 6 kV  
Rated Current: 630A  
Rated Peak Withstand Voltage: 40kA  
Rated Short-Time Withstand Current: 20kA (Busbar)  
Rated Conditional Short Circuit Current: 20kA  
Rated Frequency: 50Hz

Products are manufactured to Quality, Safety and Environmental Standards.

**WARRANTY:** 5 years.