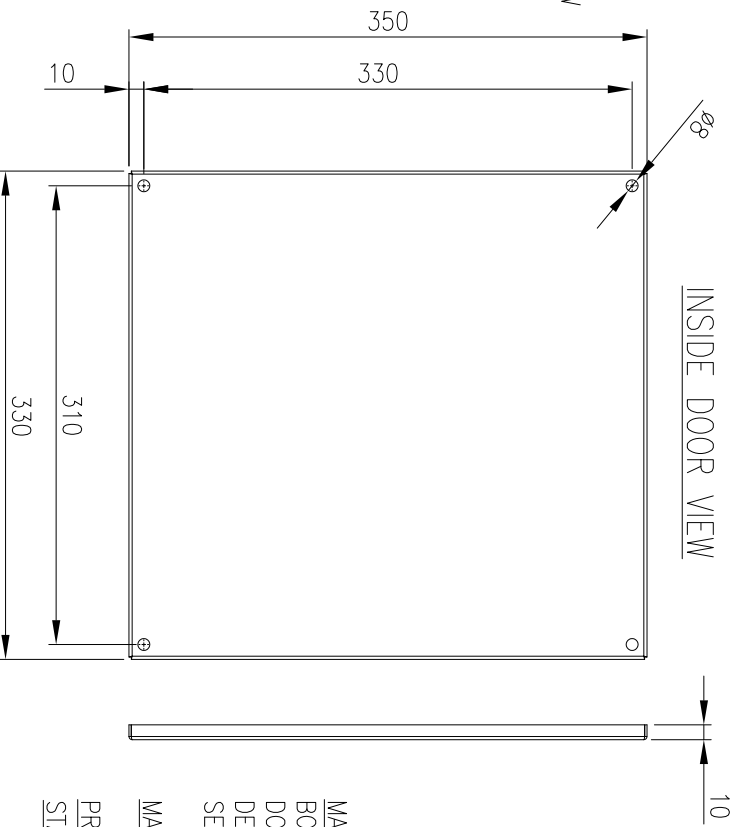
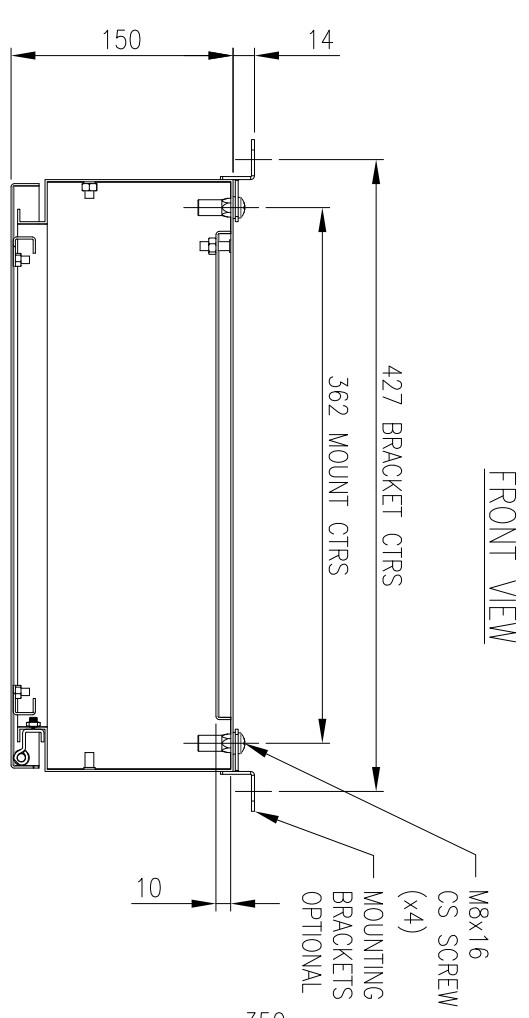
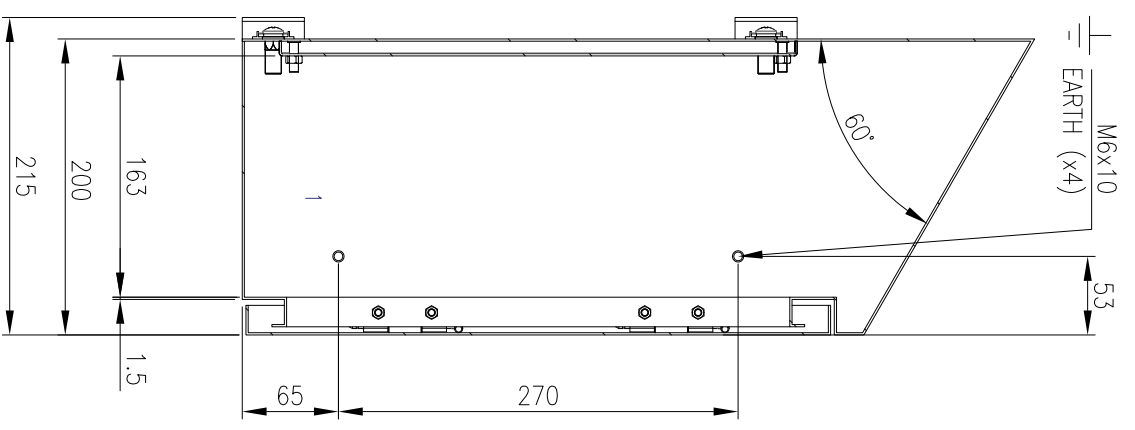
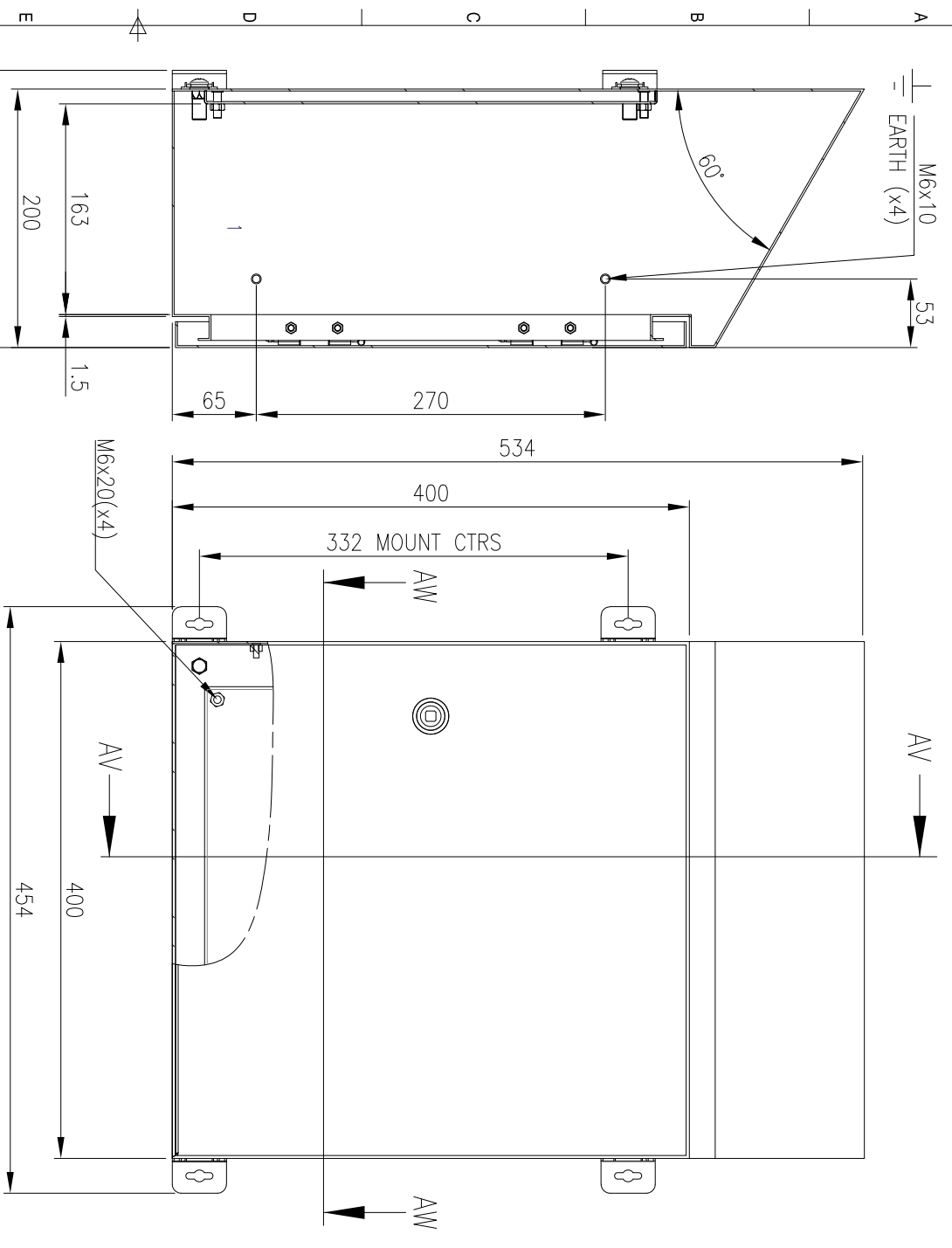
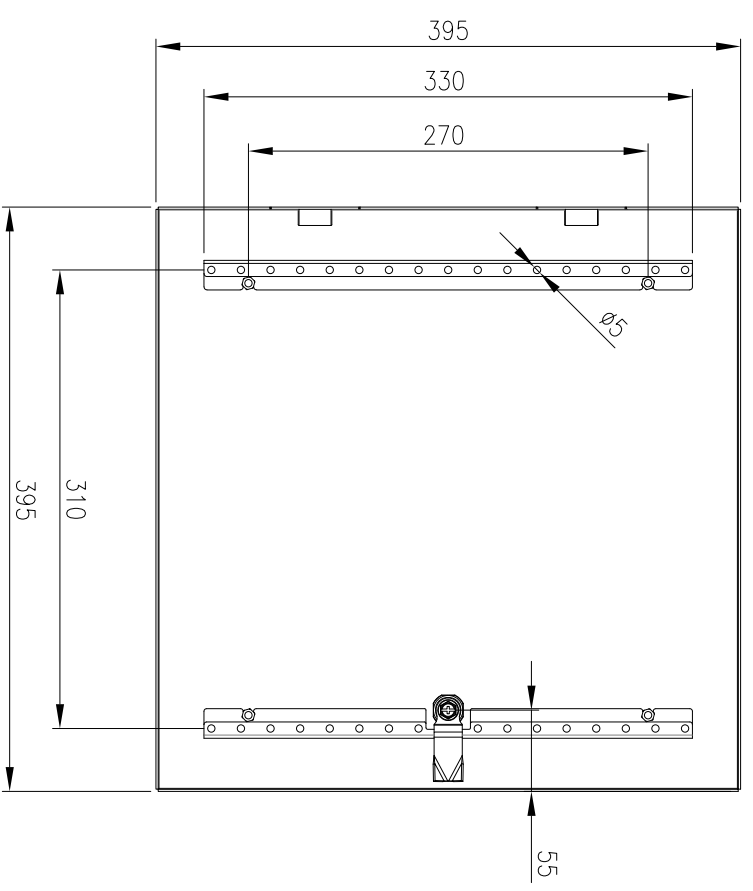
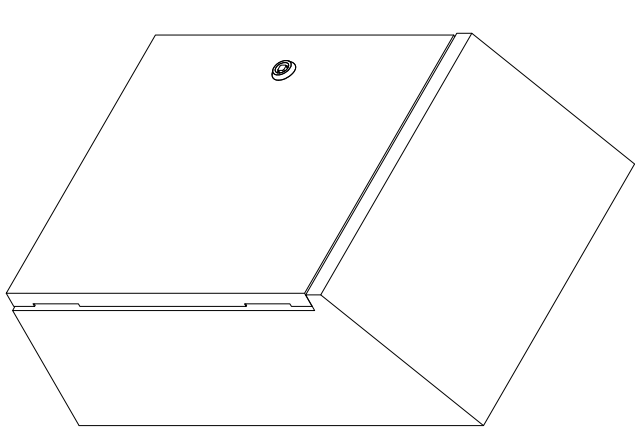


RevNo	Revision note	Date	Signature	Checked
2	GENERAL REVISION	9/7/19	IP	IP



MATERIAL
 BODY: 1.5mm 316 STAINLESS STEEL
 DOOR: 1.5mm 316 STAINLESS STEEL
 DEVICE PLATE: 1.5mm GALV STEEL
 SEAL: POLYURETHANE

MASS: 12.4kg

PROTECTION: IP66 IK10, NEMA4x
 STANDARD: IEC62208, IEC/EN/AS60529

© IP ENCLOSURES 2016.
 THIS DRAWING SHALL NOT BE COPIED OR REPRODUCED
 WITHOUT AUTHORISATION FROM IP ENCLOSURES.
 www.ipenclosures.com.au

Item/rev	Quantity	TradeName, designation, material, dimension etc.	Article No./Reference	Scale
IP				1:5
Designed by	Checked by	Approved by - date	Filename	Date
IP	IP	17/10/16	IP-32015-01	17/10/16
			400x400x200 316SS SLOPING ROOF ENCLOSURE	
			IP-SSSR404020-01	2
			Sheet	1/1

