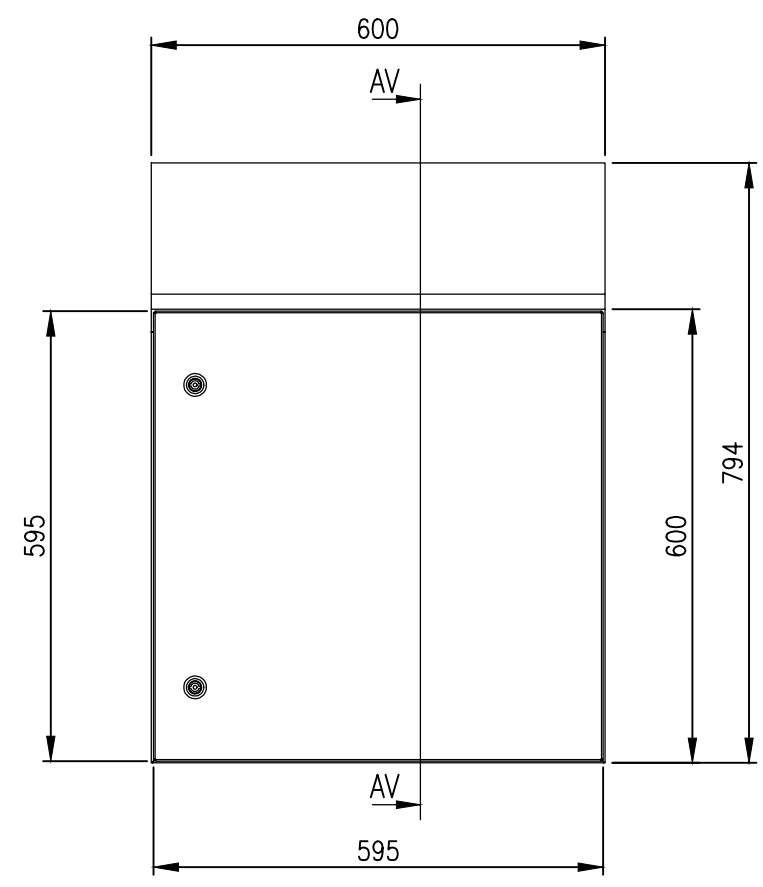
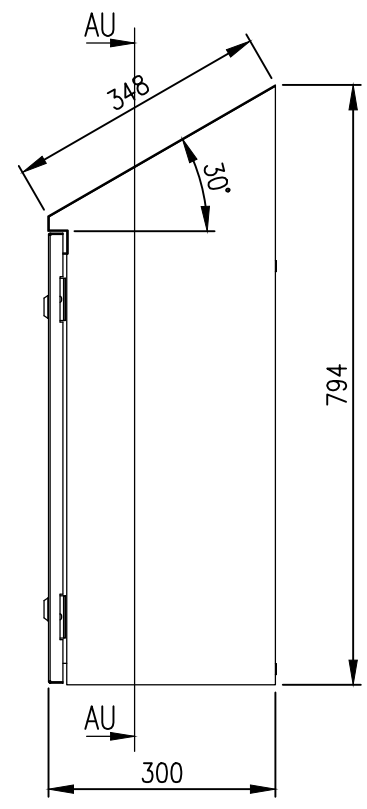


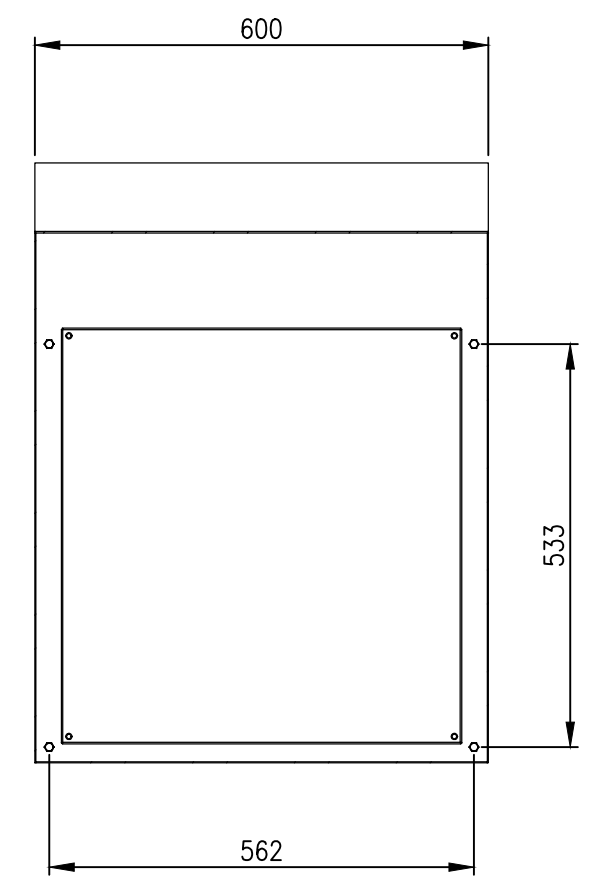
SECTION AV-AV



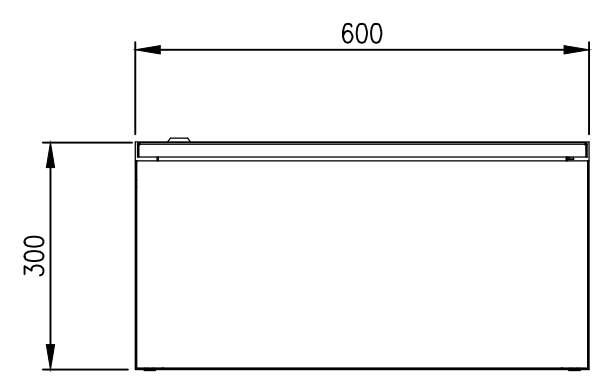
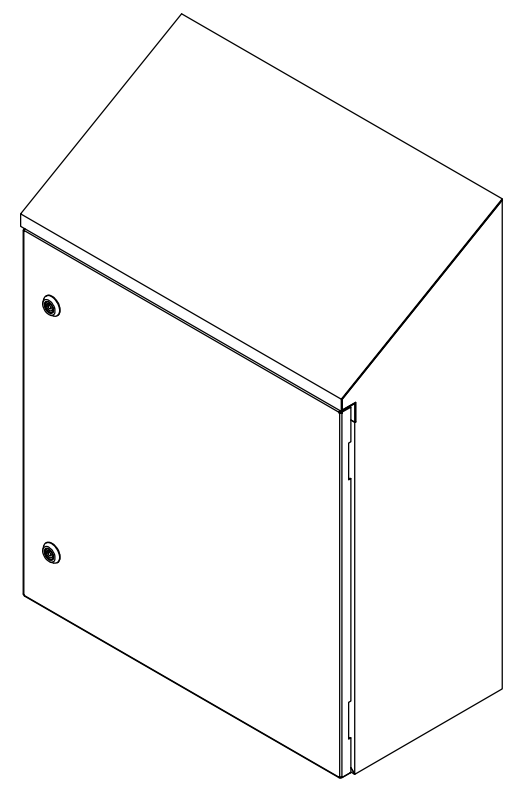
FRONT VIEW



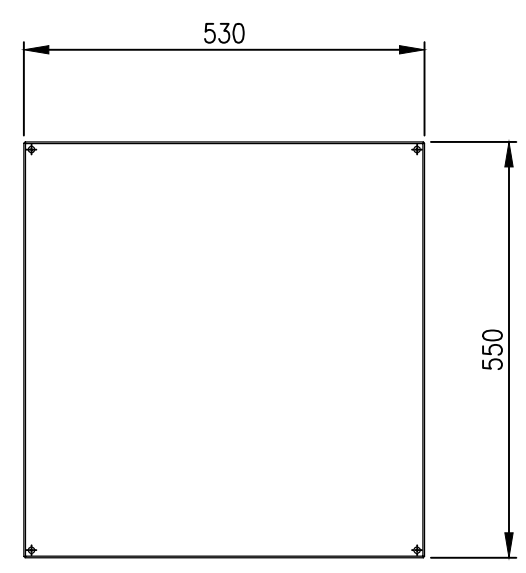
RIGHT SIDE VIEW



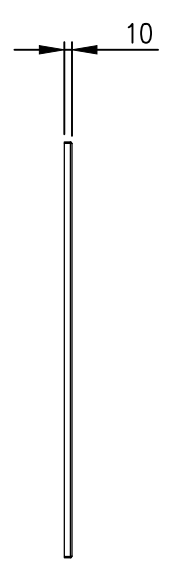
SECTION AU-AU



BOTTOM VIEW



DEVICE MOUNTING PLATE



MATERIAL
 BODY: 1.2mm GALVANISED STEEL SHEET
 DOOR: 1.2mm GALVANISED STEEL SHEET
 MOUNTING PLATE: GALVANISED STEEL SHEET
 SEAL: POLYURETHANE
 COLOUR: RAL7035 GREY

PROTECTION: IP66 IK10, NEMA 4
 STANDARD: IEC62208, IEC/EN/AS60529

© IP ENCLOSURES 2023.
 THIS DRAWING SHALL NOT BE COPIED OR REPRODUCED
 WITHOUT AUTHORISATION FROM IP ENCLOSURES.
 www.ipenclosures.com.au

Itemref	Quantity	Title/Name, designation, material, dimension etc	Article No./Reference
Designed by	Checked by	Approved by - date	Filename
IP	IP	25/01/23	IP-SSR606030
Date	Scale	Article No./Reference	
25/01/23	1:10	600x600x300 STEEL SLOPING ROOF ENCLOSURE	
Edition		Sheet	
0		1/1	