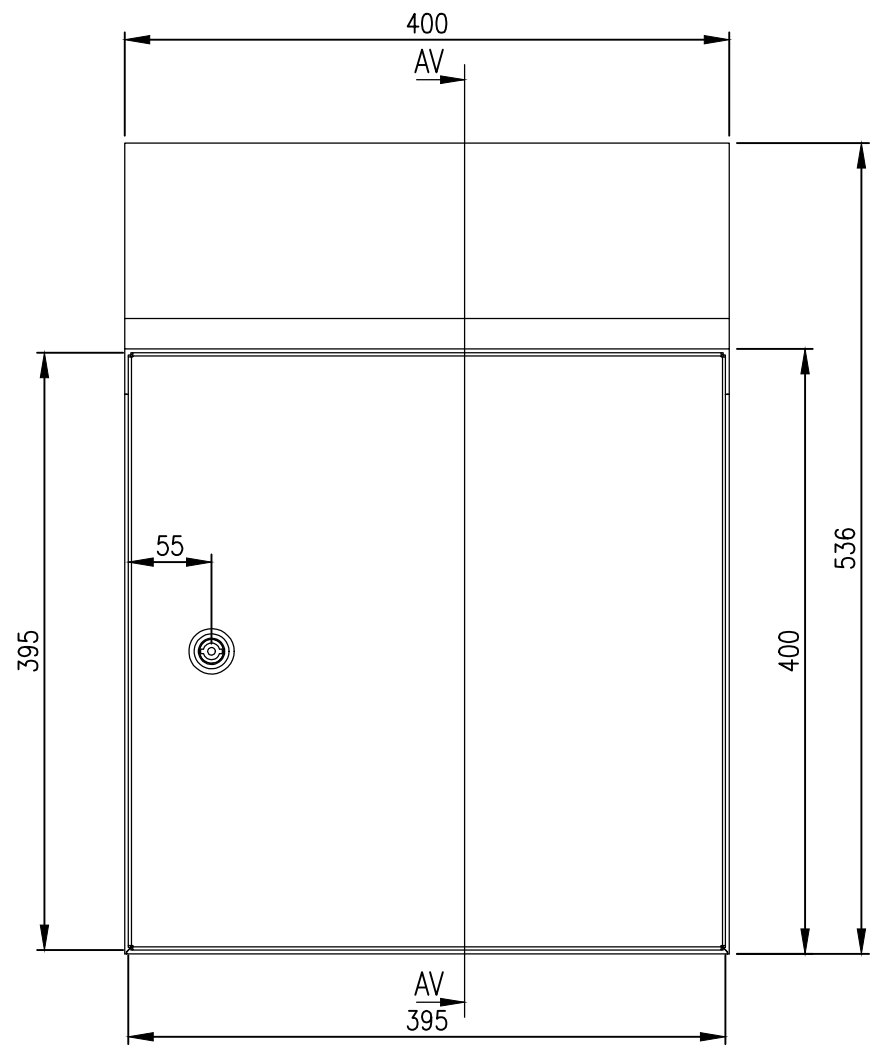
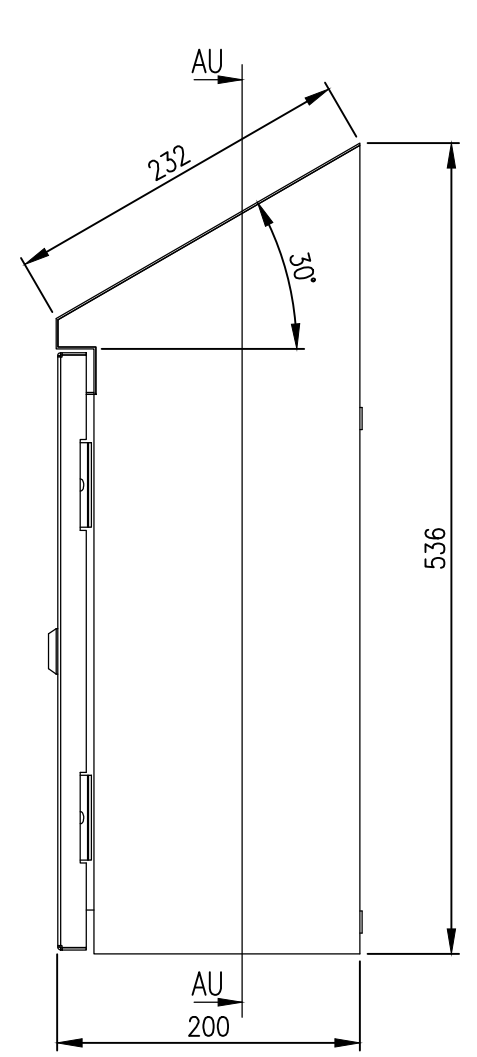


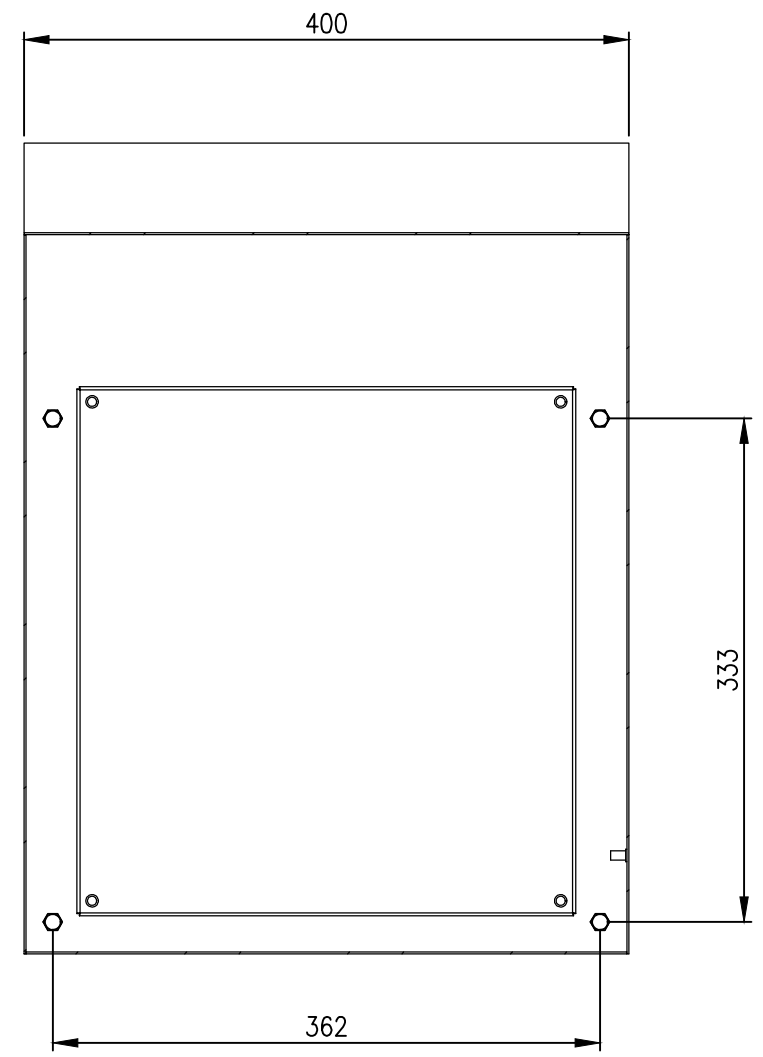
SECTION AV-AV



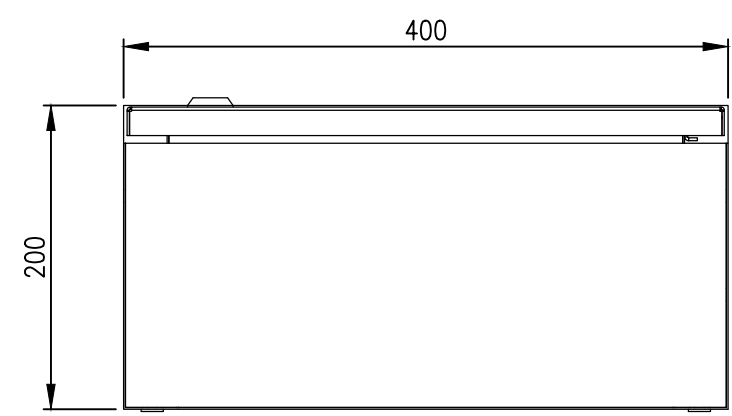
FRONT VIEW



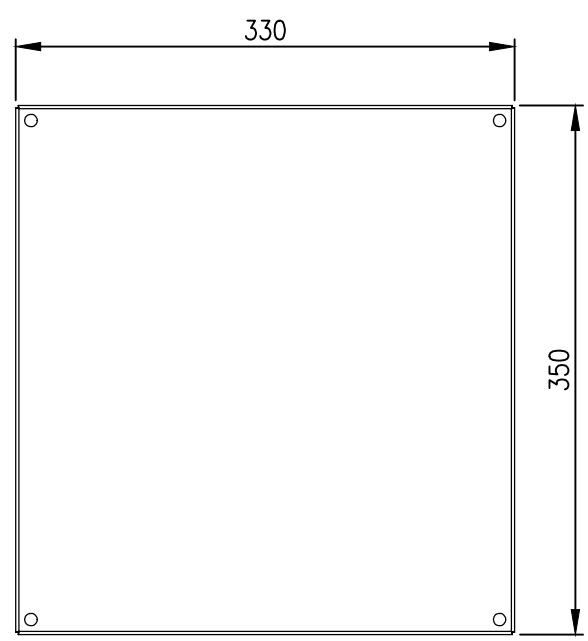
RIGHT SIDE VIEW



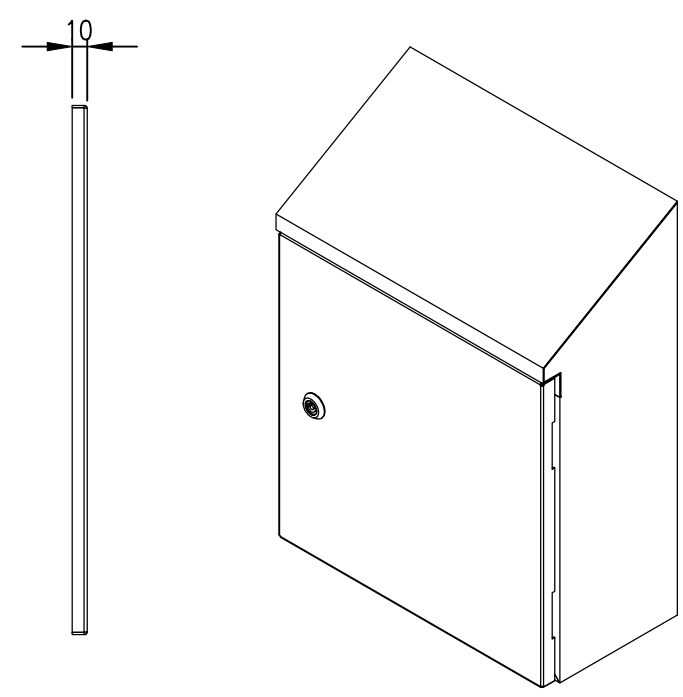
SECTION AU-AU



BOTTOM VIEW



DEVICE MOUNTING PLATE



MATERIAL
 BODY: 1.2mm GALVANISED STEEL SHEET
 DOOR: 1.2mm GALVANISED STEEL SHEET
 MOUNTING PLATE: GALVANISED STEEL SHEET
 SEAL: POLYURETHANE
 COLOUR: RAL2000 ORANGE

PROTECTION: IP66 IK10, NEMA 4
 STANDARD: IEC62208, IEC/EN/AS60529

© IP ENCLOSURES 2023.
 THIS DRAWING SHALL NOT BE COPIED OR REPRODUCED WITHOUT
 AUTHORISATION FROM IP ENCLOSURES.
 www.ipenclosures.com.au

Itemref	Quantity	Title/Name, designation, material, dimension etc	Article No./Reference
IP	1	400x400x200 STEEL SLOPING ROOF ENCLOSURE	IP-SSR404020-OR
Designed by	Checked by	Approved by - date	Filename
IP	IP	23/01/23	IP-SSR404020-OR
Date	Scale	Edition	Sheet
23/01/23	1:5	0	1/1