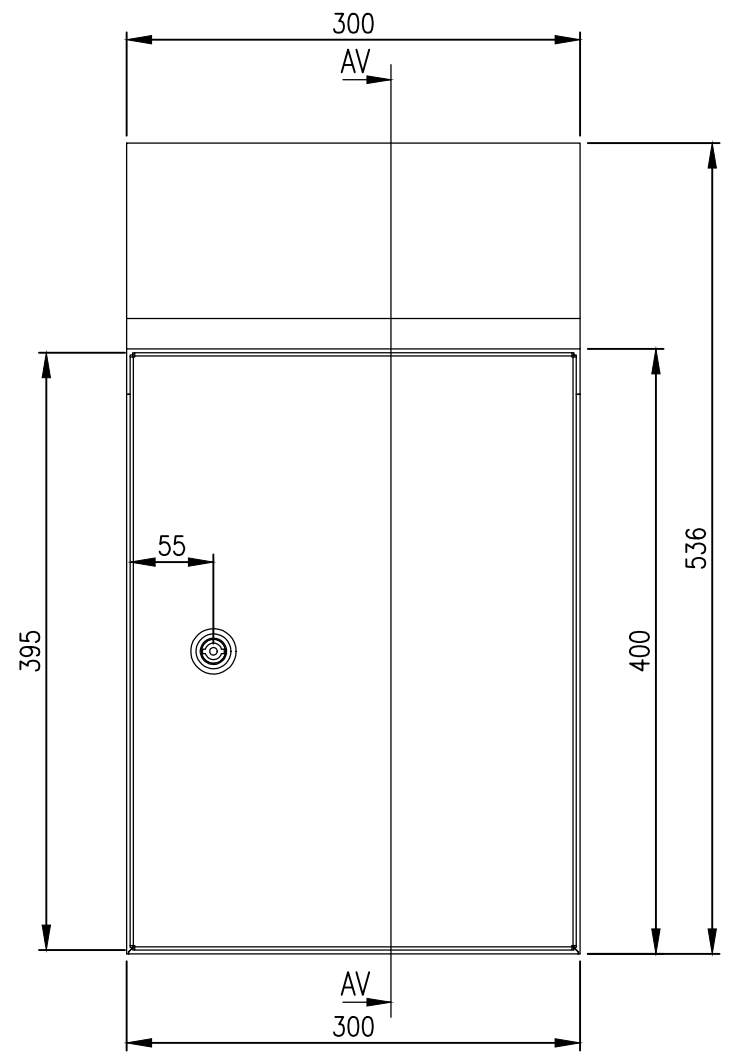
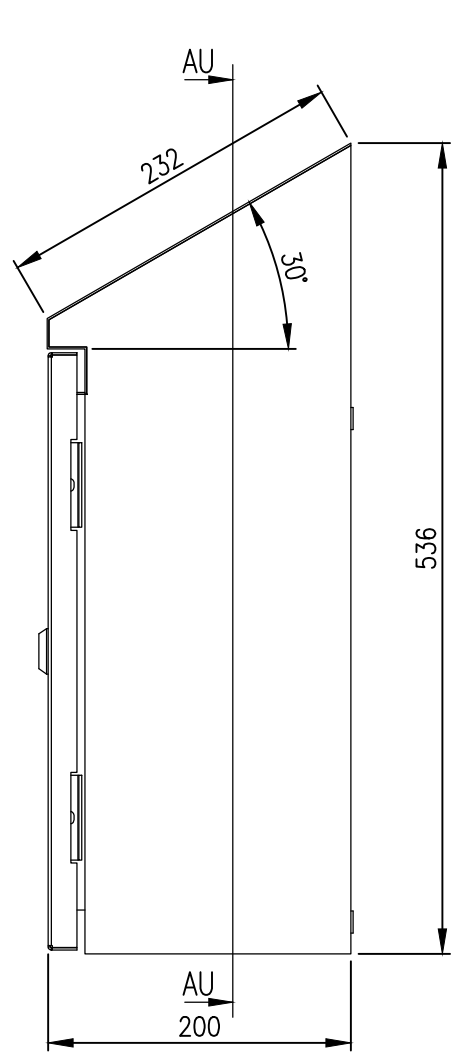


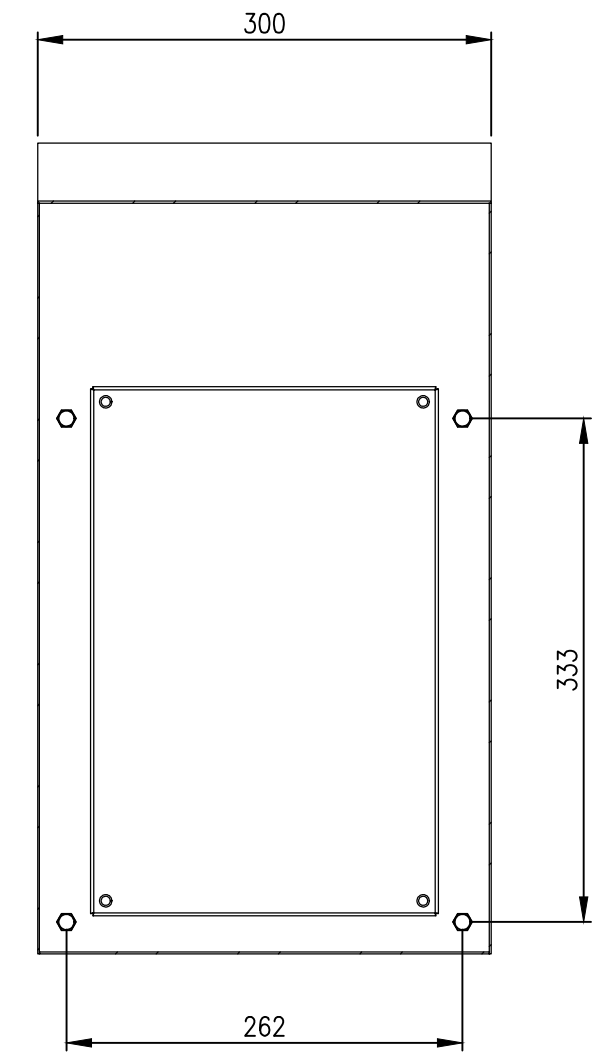
SECTION AV-AV



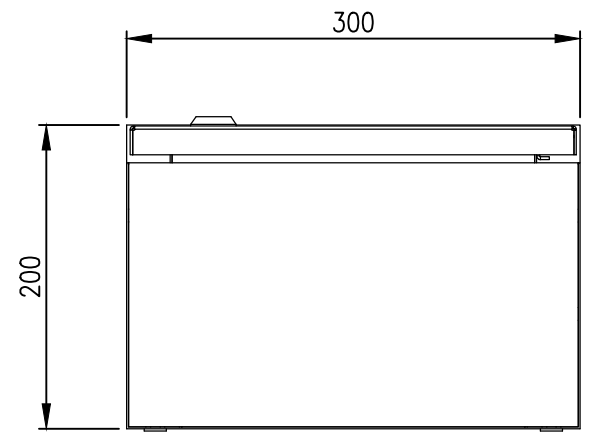
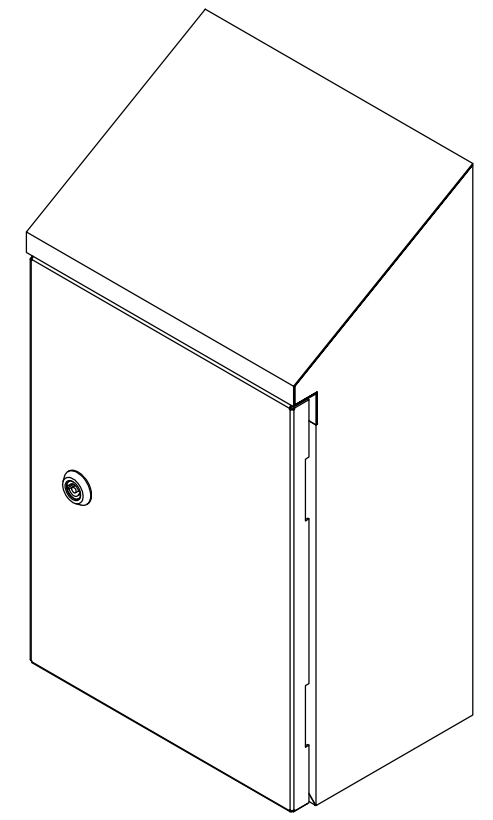
FRONT VIEW



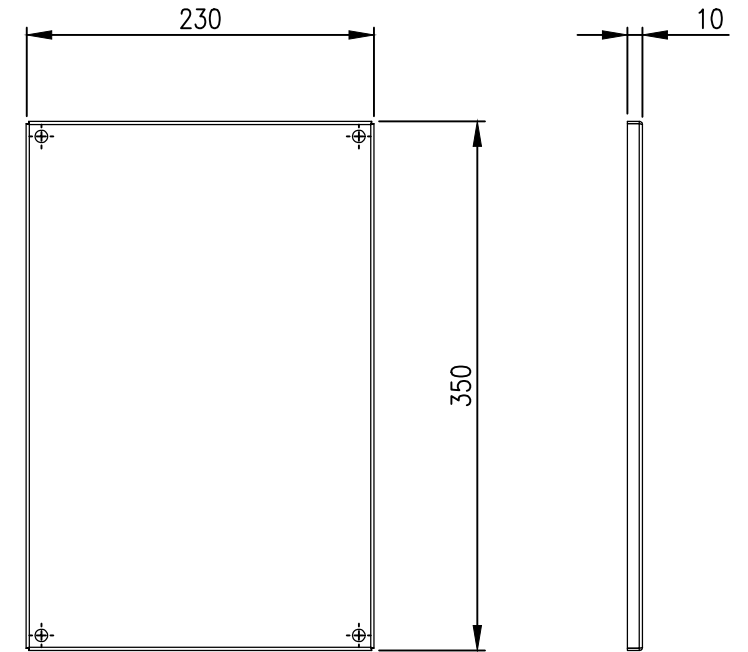
RIGHT SIDE VIEW



SECTION AU-AU



FRONT VIEW



DEVICE MOUNTING PLATE

MATERIAL
 BODY: 1.2mm GALVANISED STEEL SHEET
 DOOR: 1.2mm GALVANISED STEEL SHEET
 MOUNTING PLATE: GALVANISED STEEL SHEET
 SEAL: POLYURETHANE
 COLOUR: RAL2000 ORANGE

PROTECTION: IP66 IK10, NEMA 4
 STANDARD: IEC62208, IEC/EN/AS60529

© IP ENCLOSURES 2023.
 THIS DRAWING SHALL NOT BE COPIED OR REPRODUCED WITHOUT
 AUTHORISATION FROM IP ENCLOSURES.
 www.ipenclosures.com.au

Itemref	Quantity	Title/Name, designation, material, dimension etc	Article No./Reference
IP	1	400x300x200 STEEL SLOPING ROOF ENCLOSURE	IP-SSR403020-OR
IP	1	DEVICE MOUNTING PLATE	IP-SSR403020-OR



400x300x200 STEEL SLOPING ROOF ENCLOSURE
 IP-SSR403020-OR
 Edition 0
 Sheet 1/1