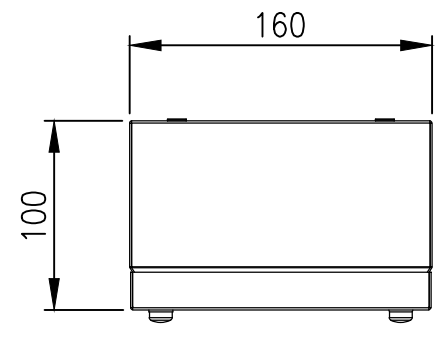
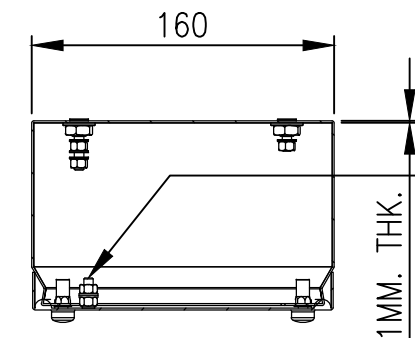


RevNo	Revision note	Date	Signature	Checked
0	GENERAL REVISION		IP	IP



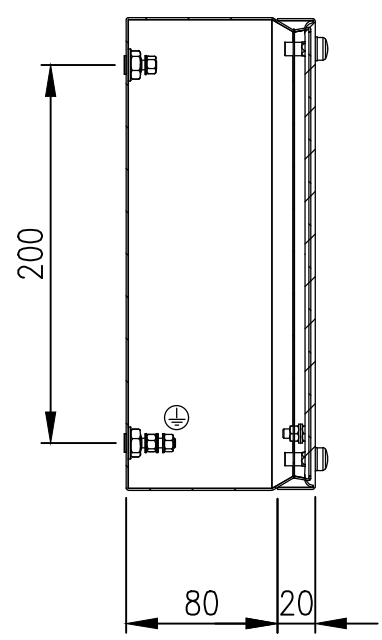
TOP VIEW



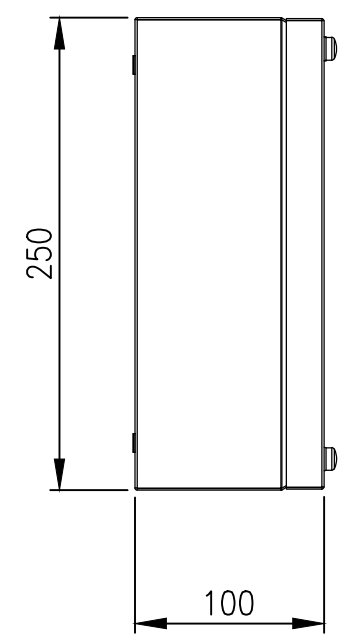
SECTION A-A

M5x15 THREADED BOLT (x1)

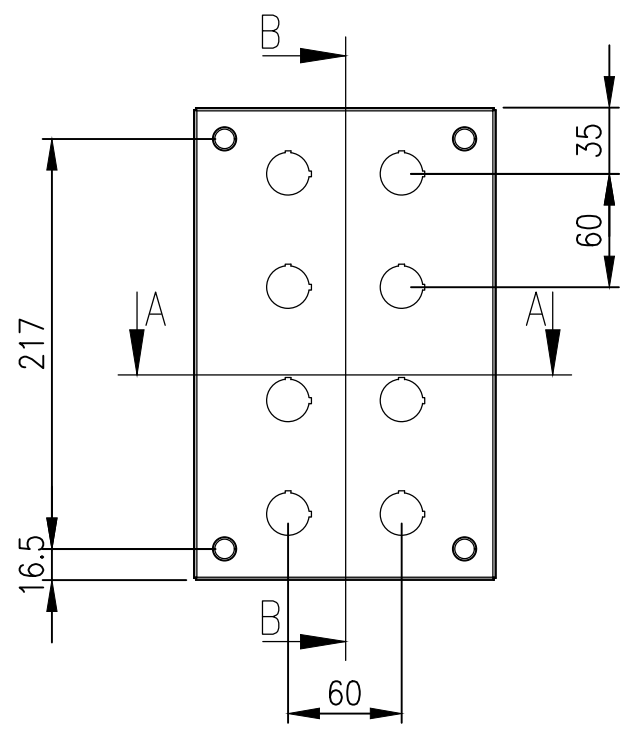
1MM. THK.



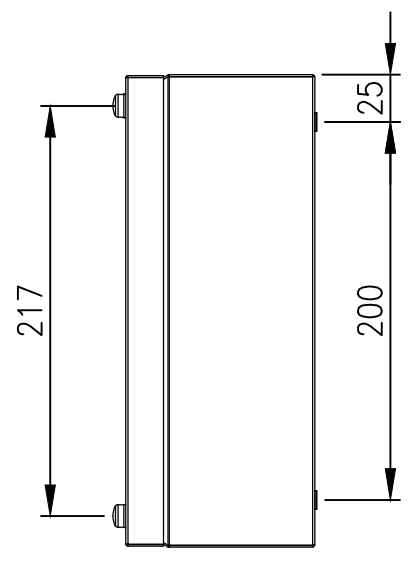
SECTION B-B



LEFT SIDE VIEW

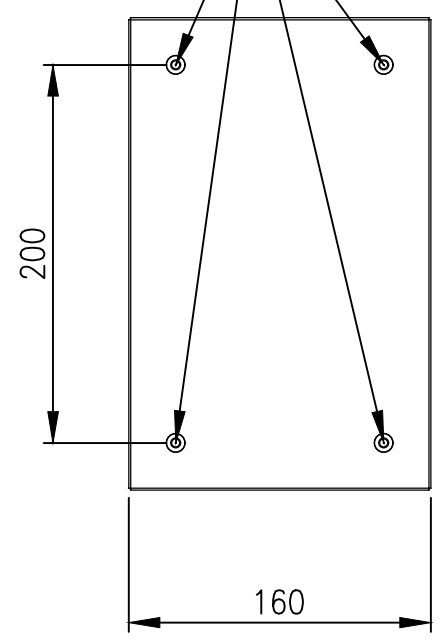


FRONT VIEW

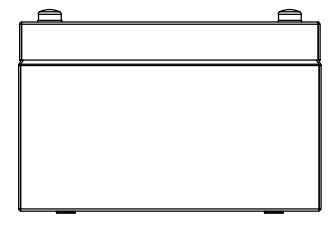
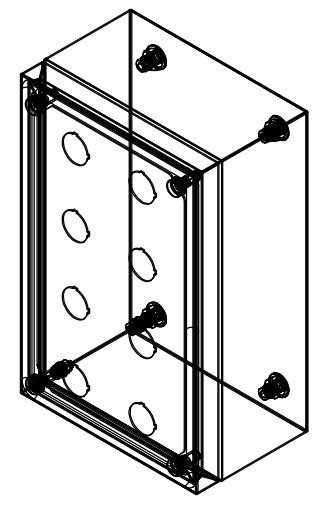


RIGHT SIDE VIEW

N°4 BUSHINGS M5 (x4)



REAR VIEW



BOTTOM VIEW

**MATERIAL**  
 BODY: 1.0mm 316 STAINLESS STEEL  
 DOOR: 1.0mm 316 STAINLESS STEEL  
 SEAL: SILICONE

**PROTECTION:** IP66, IP67, NEMA 4x

© IP ENCLOSURES 2023.  
 THIS DRAWING SHALL NOT BE COPIED OR REPRODUCED  
 WITHOUT AUTHORISATION FROM IP ENCLOSURES.  
 www.ipenclosures.com.au

Itemref	Quantity	Title/Name, designation, material, dimension etc	Article No./Reference
IP	1	250x160x100 316SS PUSHBUTTON BOX	IP-SSP4X2
IP	1	IP-SSP4X2	IP-SSP4X2
IP	1	IP-SSP4X2	IP-SSP4X2



250x160x100 316SS PUSHBUTTON BOX  
 IP-SSP4X2  
 Edition 0  
 Sheet 1/1