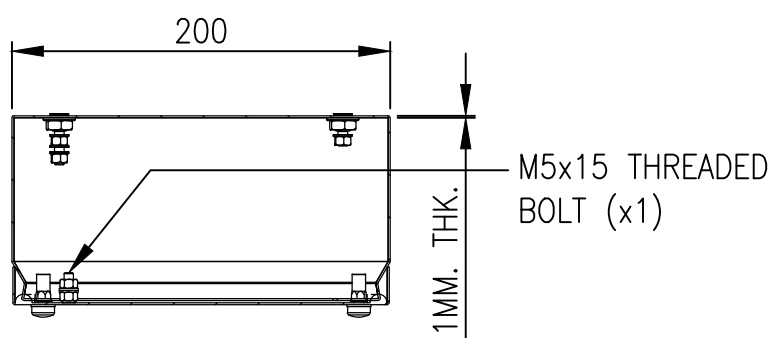
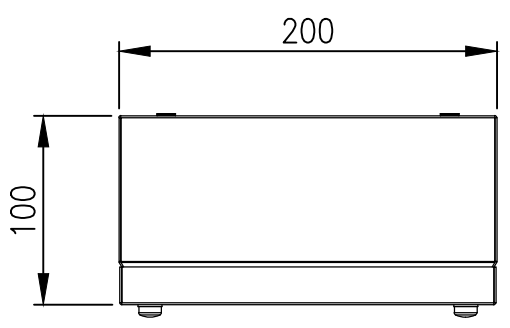


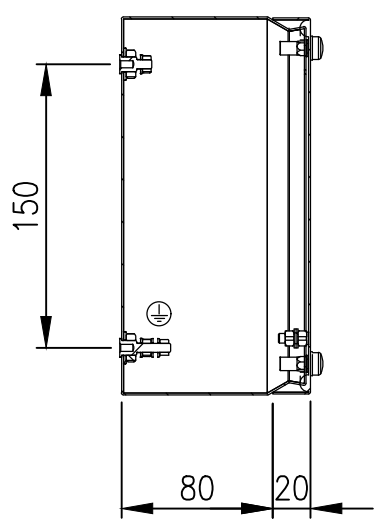
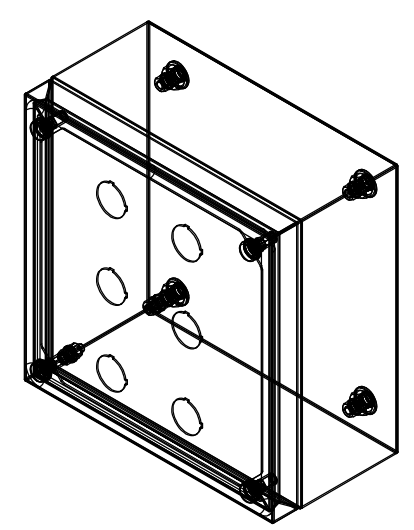
RevNo	Revision note	Date	Signature	Checked
0	GENERAL REVISION		IP	IP



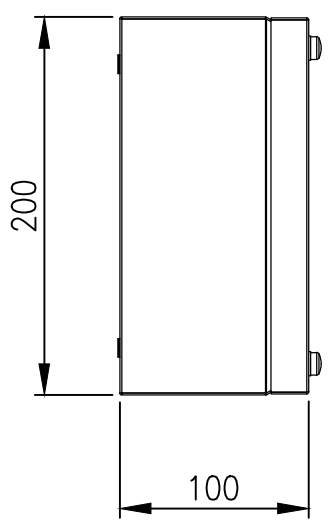
SECTION A-A



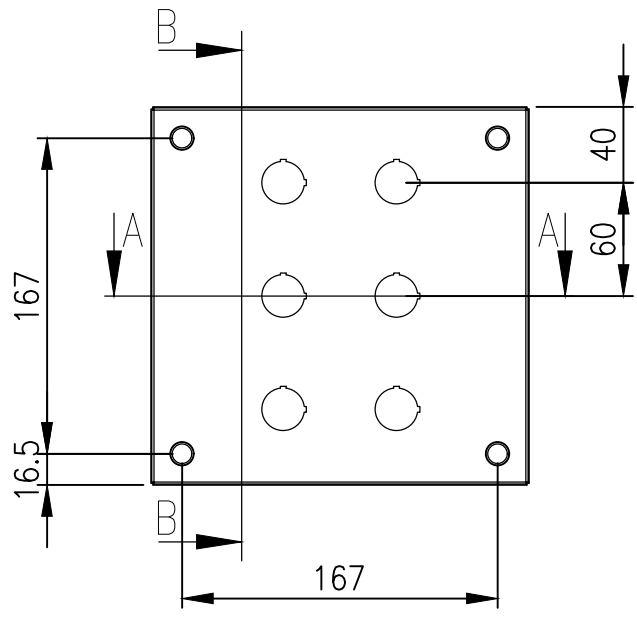
TOP VIEW



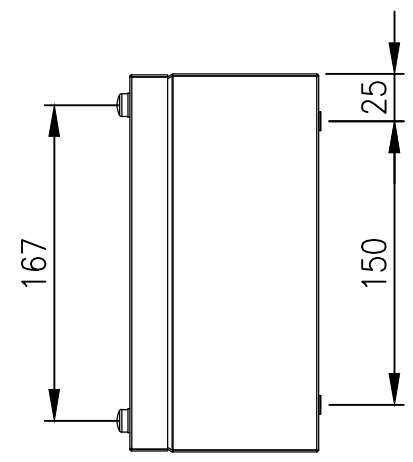
SECTION B-B



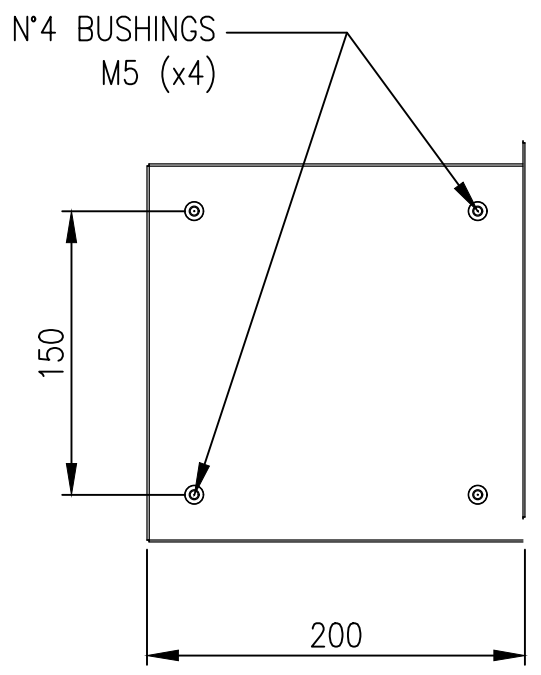
LEFT SIDE VIEW



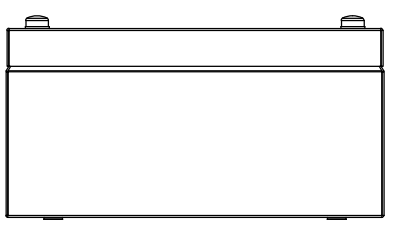
FRONT VIEW



RIGHT SIDE VIEW



REAR VIEW



BOTTOM VIEW

MATERIAL
 BODY: 1.0mm 316 STAINLESS STEEL
 DOOR: 1.0mm 316 STAINLESS STEEL
 SEAL: SILICONE

PROTECTION: IP66, IP67, NEMA 4x

© IP ENCLOSURES 2023.
 THIS DRAWING SHALL NOT BE COPIED OR REPRODUCED
 WITHOUT AUTHORISATION FROM IP ENCLOSURES.
 www.ipenclosures.com.au

Itemref	Quantity	Title/Name, designation, material, dimension etc	Article No./Reference
IP	1	200x200x100 316SS PUSHBUTTON BOX	IP-SSP3X2
Designed by	Checked by	Approved by - date	Filename
IP	IP	31/05/23	IP-SSP3X2
Date	Scale	Edition	Sheet
31/05/23	1:4	0	1/1