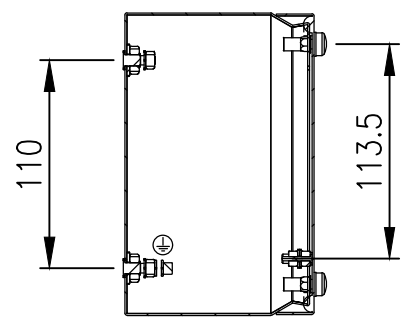
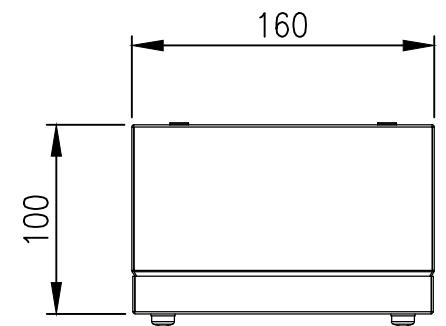


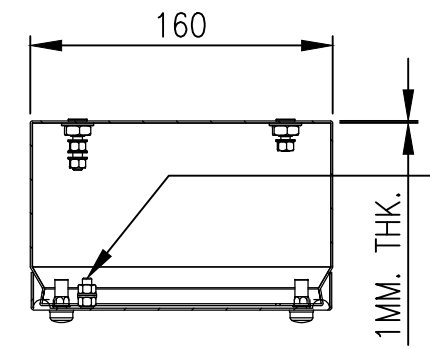
RevNo	Revision note	Date	Signature	Checked
0	GENERAL REVISION		IP	IP



SECTION B-B

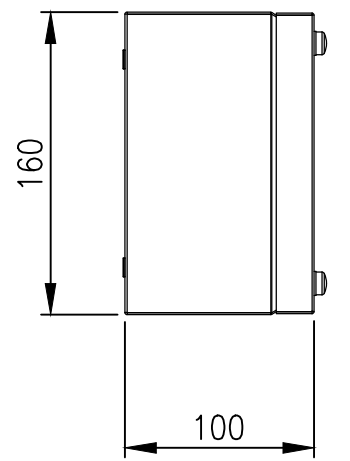
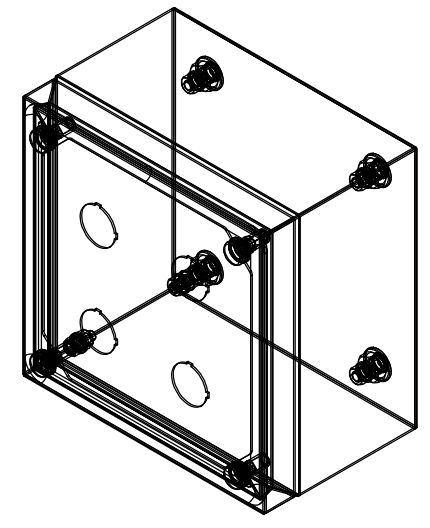


TOP VIEW

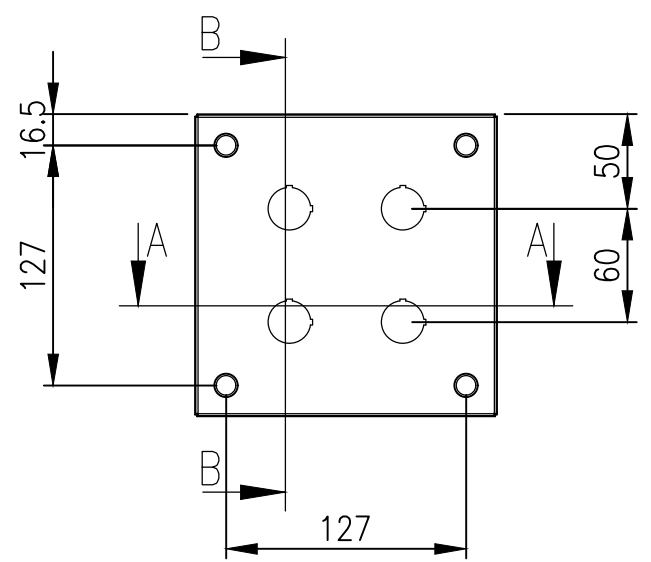


SECTION A-A

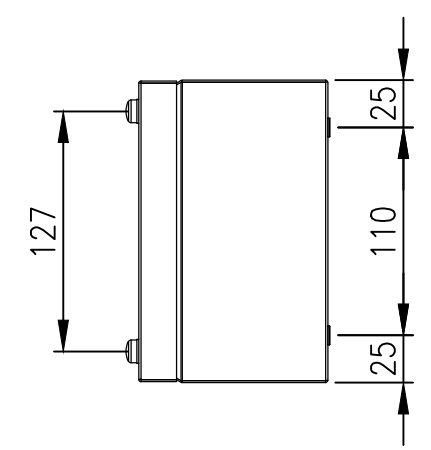
M5x15 THREADED BOLT (x1)



LEFT SIDE VIEW

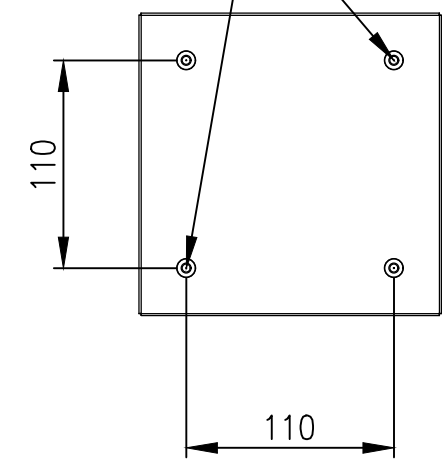


FRONT VIEW

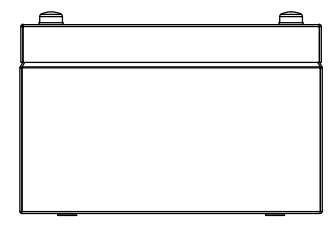


RIGHT SIDE VIEW

N°4 BUSHINGS M5 (x4)



REAR VIEW



BOTTOM VIEW

**MATERIAL**  
 BODY: 1.0mm 316 STAINLESS STEEL  
 DOOR: 1.0mm 316 STAINLESS STEEL  
 SEAL: SILICONE

**PROTECTION:** IP66, IP67, NEMA 4x

© IP ENCLOSURES 2023.  
 THIS DRAWING SHALL NOT BE COPIED OR REPRODUCED  
 WITHOUT AUTHORISATION FROM IP ENCLOSURES.  
 www.ipenclosures.com.au

Itemref	Quantity	Title/Name, designation, material, dimension etc	Article No./Reference
IP	1	160x160x100 316SS PUSHBUTTON BOX	IP-SSP2X2
Designed by	Checked by	Approved by - date	Filename
IP	IP	31/05/23	IP-SSP2X2
Date	Scale	Edition	Sheet
31/05/23	1:4	0	1/1