

SSP PUSHBUTTONS

IP-SSP2X2

316 STAINLESS STEEL | IP66, IP67

160H x 160W x 100D

The IP Enclosures SSP Range of grade 316 stainless steel pushbutton enclosures are ideal for use in the harshest environments. The silicon seal gasket is resistant to harsh chemicals. They are available in 1 hole, 2 hole, 3 hole, 4 hole, 6 hole, and 8 hole configurations.

Protection: Complies with IP66, IP67, NEMA 4x

Standard: UL508A Certified 

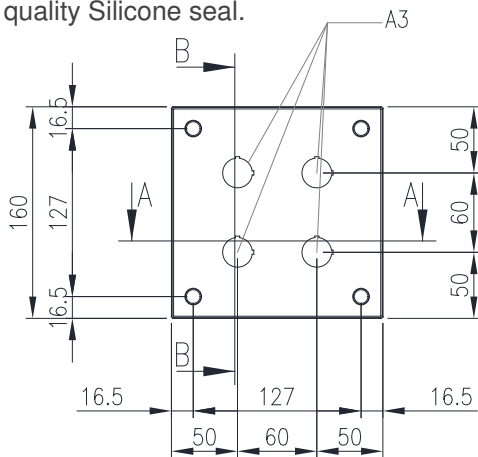
Material:

- Body: 1.0mm. Grade 316 stainless steel
- Lid/Door: 1.0mm. Grade 316 stainless steel
- Seal: Silicone

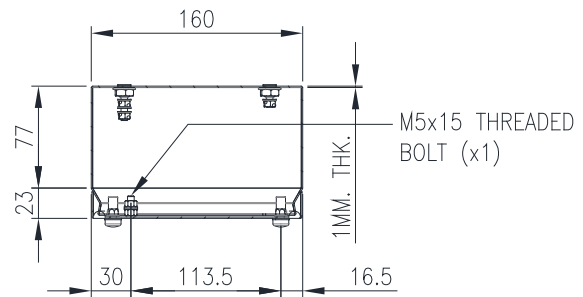
Body: The robust body is fabricated using 1.0mm Grade 316 Stainless Steel and incorporates a high quality Silicone seal.

Lid/Door: The robust pre-drilled lid/door is fabricated using 1.00mm Grade 316 Stainless Steel and is fastened using screws.

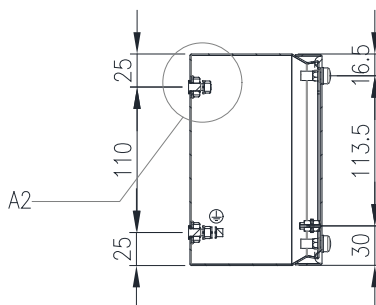
Seal: A high quality Silicone seal.



FRONT VIEW



SECTION A-A



SECTION B-B

