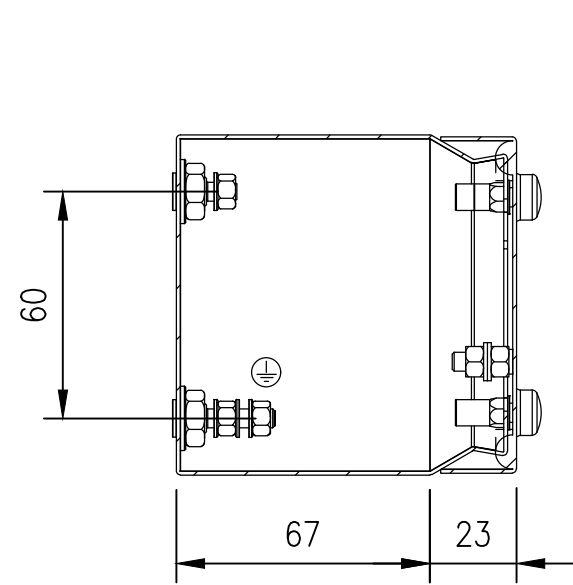
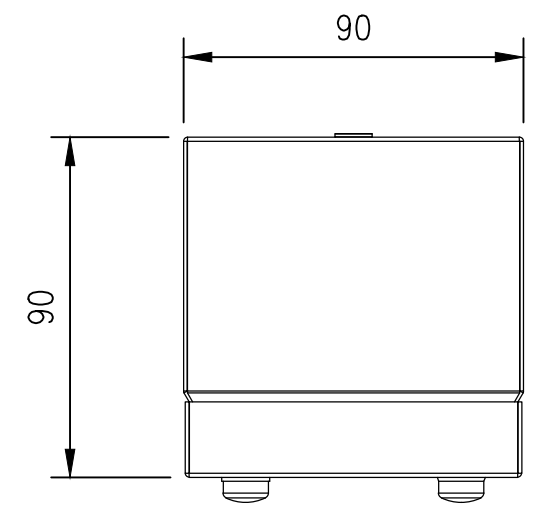


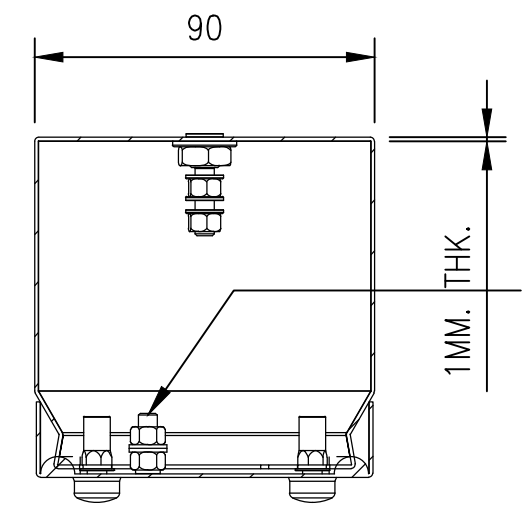
RevNo	Revision note	Date	Signature	Checked
0	GENERAL REVISION		IP	IP



SECTION B-B

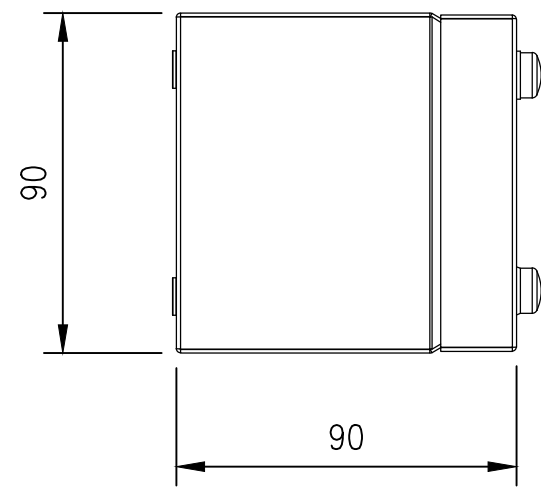
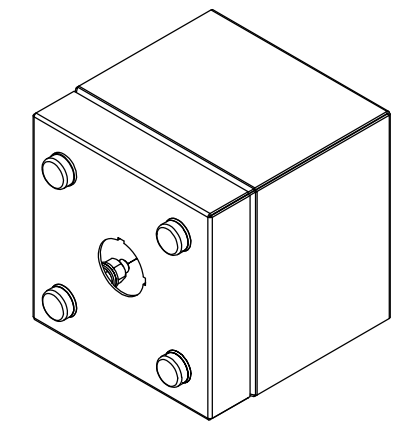


TOP VIEW

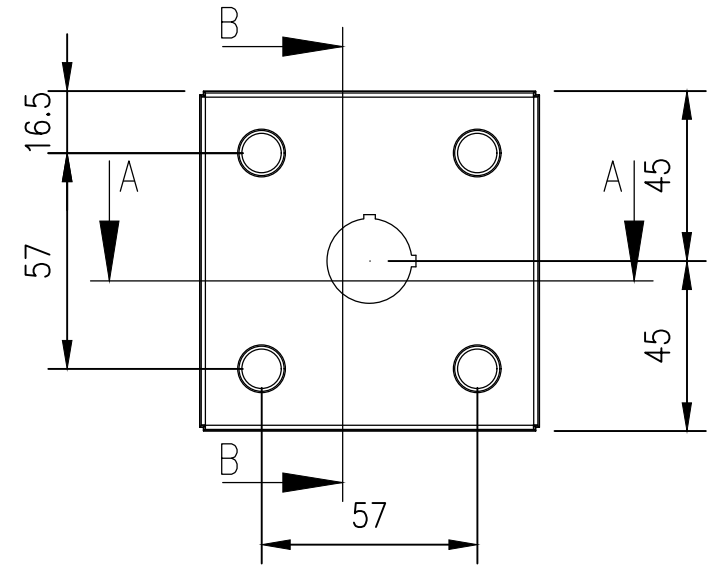


SECTION A-A

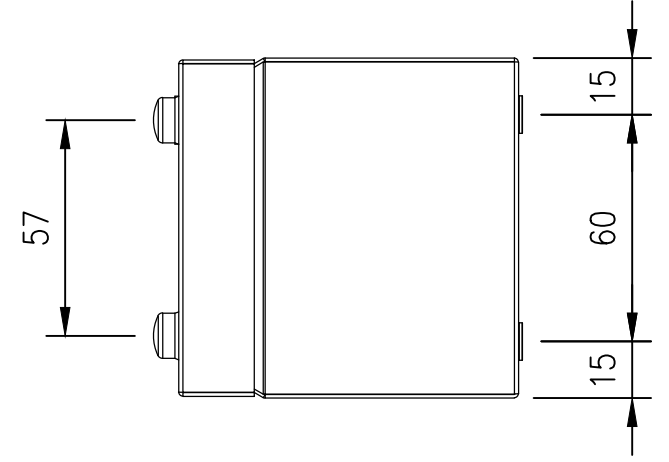
M5x15 THREADED BOLT (x1)



LEFT SIDE VIEW

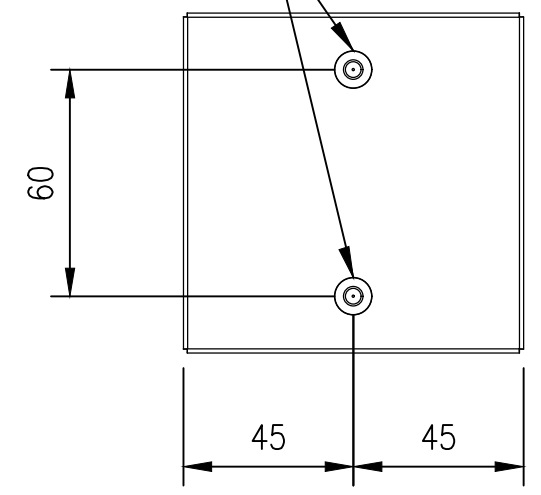


FRONT VIEW

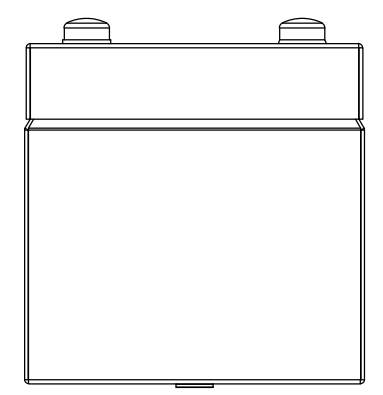


RIGHT SIDE VIEW

N°2 BUSHINGS M5 (x2)



REAR VIEW



BOTTOM VIEW

MATERIAL
 BODY: 1.0mm 316 STAINLESS STEEL
 DOOR: 1.0mm 316 STAINLESS STEEL
 SEAL: SILICONE

PROTECTION: IP66, IP67, NEMA 4x

© IP ENCLOSURES 2023.
 THIS DRAWING SHALL NOT BE COPIED OR REPRODUCED
 WITHOUT AUTHORISATION FROM IP ENCLOSURES.
 www.ipenclosures.com.au

Itemref	Quantity	Title/Name, designation, material, dimension etc	Article No./Reference
IP	1	90x90x90 316SS PUSHBUTTON BOX	IP-SSP1
Designed by	Checked by	Approved by - date	File name
IP	IP	31/05/23	IP-SSP1
Date	Scale	Edition	
31/05/23	1:2	0	
Sheet			Sheet
1/1			1/1