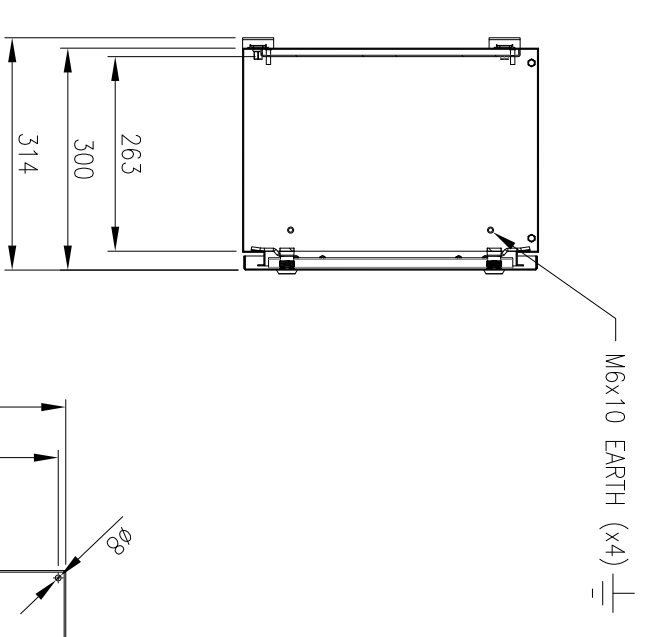
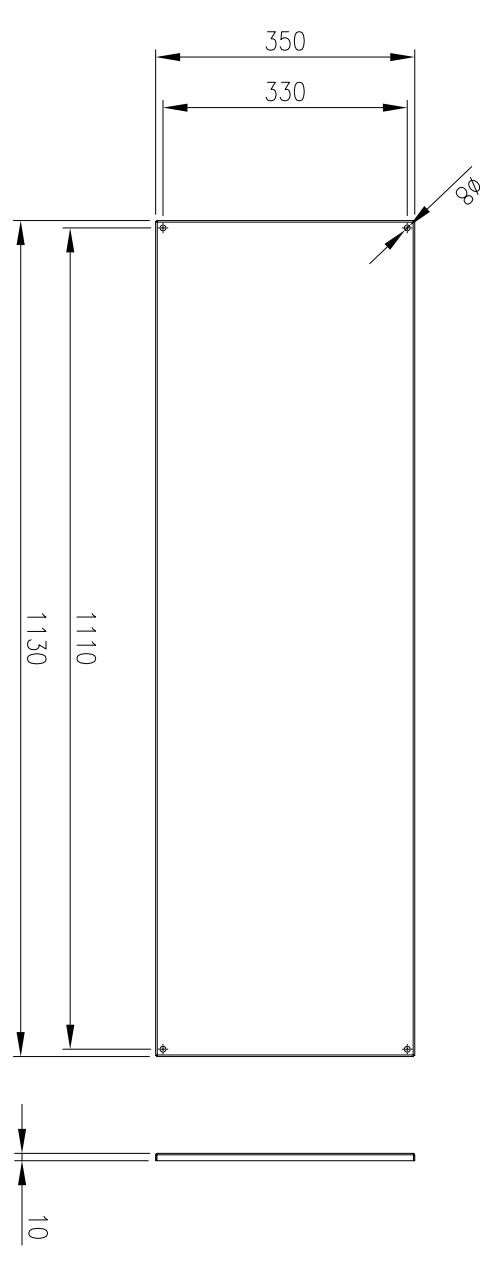


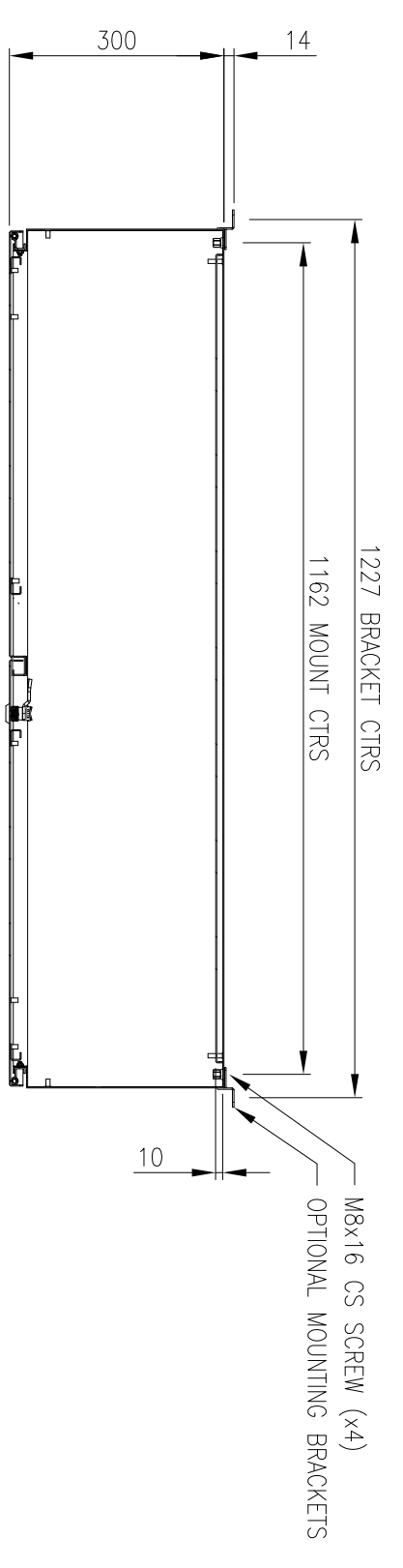
FRONT VIEW



SECTION AV-AV



DEVICE MOUNTING PLATE



SECTION AW-AW

MATERIAL
 BODY: 1.5mm 316 STAINLESS STEEL
 DOOR: 1.5mm 316 STAINLESS STEEL
 DEVICE PLATE: 1.5mm GALV STEEL
 SEAL: POLYURETHANE
 PROTECTION: IP66 IK10, NEMA4x
 STANDARD: IEC62208, IEC/EN/AS60529

© IP ENCLOSURES 2016.
 THIS DRAWING SHALL NOT BE COPIED OR REPRODUCED
 WITHOUT AUTHORISATION FROM IP ENCLOSURES.
 www.ipenclosures.com.au

Item#	Quantity	TradeName, designation, material, dimension etc.	Article No./Reference	Scale
IP	1	400x1200x300 316SS ENCLOSURE	IP-L4012030-01	1:10
IP	1	1162 MOUNT CTRS	IP-L4012030-01	1:1
IP	4	M8x16 CS SCREW	IP-L4012030-01	1:1
IP	4	M6x10 EARTH	IP-L4012030-01	1:1

