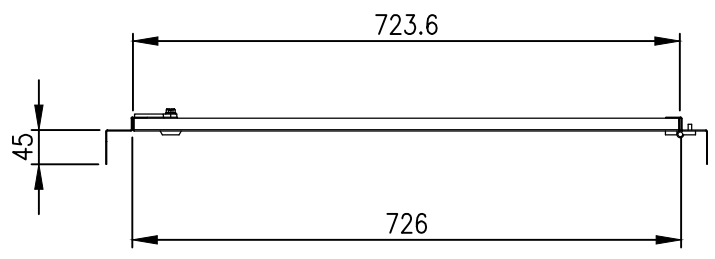
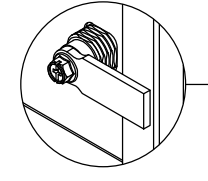


RevNo	Revision note	Date	Signature	Checked
0	GENERAL REVISION		IP	IP

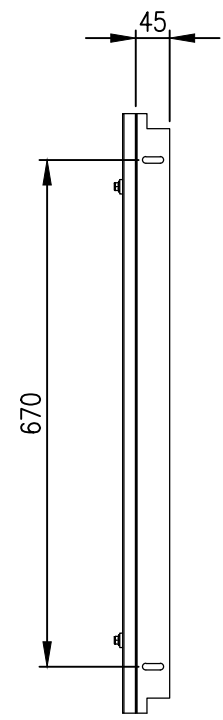
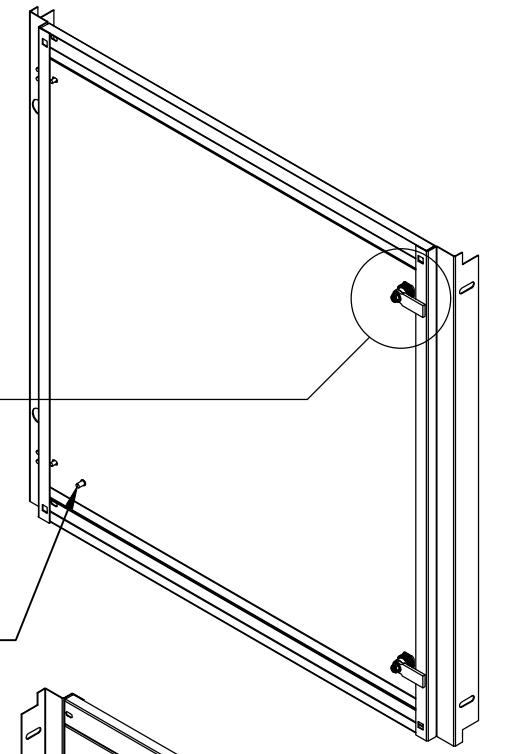


TOP VIEW

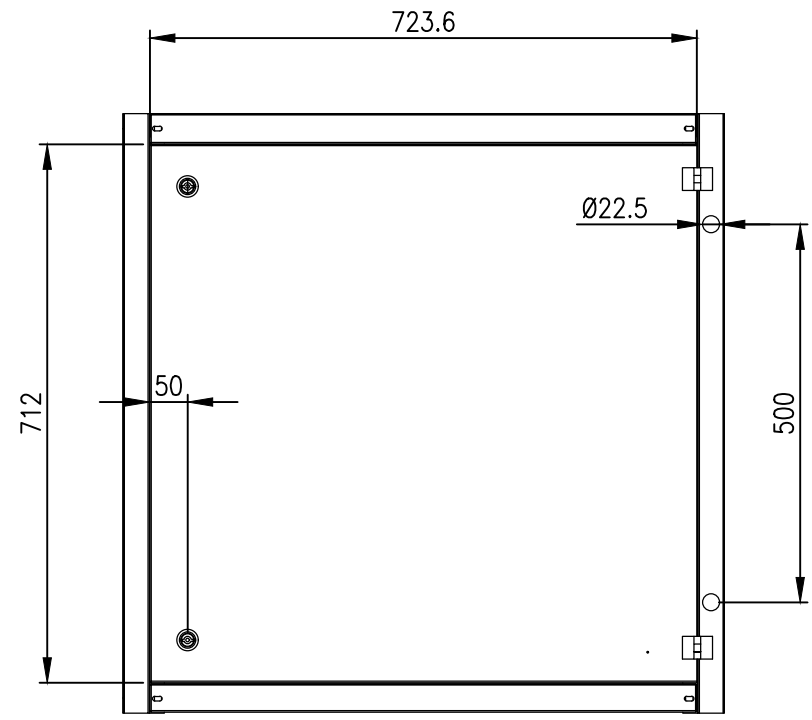


LOCKSET SPOT DETAIL

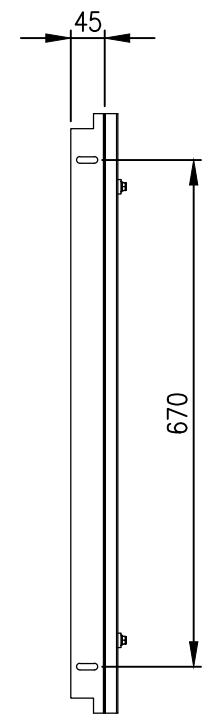
M6x10 STUD WELD (x1)



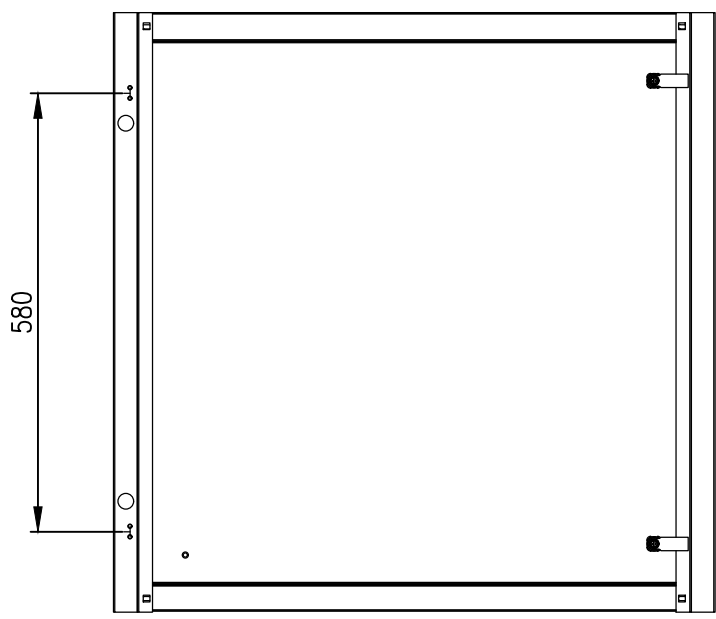
LEFT SIDE VERTICAL FRAME



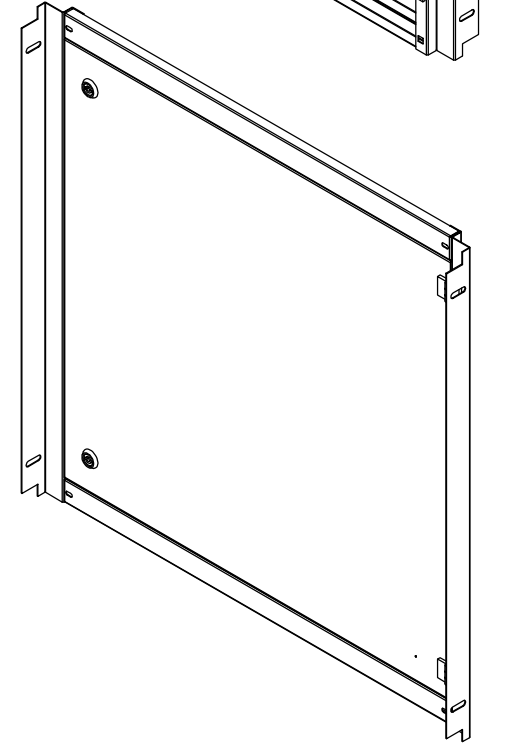
FRONT VIEW



RIGHT SIDE VERTICAL FRAME

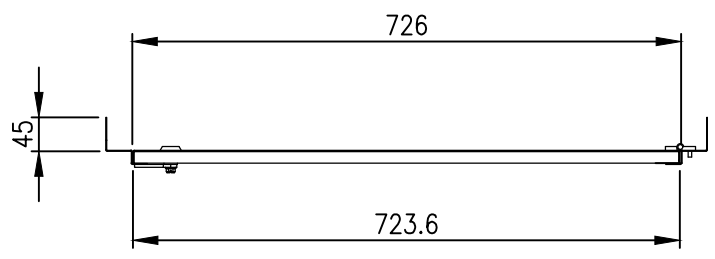


REAR VIEW



MATERIAL
 FRAME: 1.5mm 316 STAINLESS STEEL
 DOOR PANEL: 1.5mm 316 STAINLESS STEEL

CLEARANCE/DISTANCE DIMENSIONS:
 -INNER DOOR TO OUTER DOOR: 68mm
 -INNER DOOR TO MOUNTING PLATE:
 -(ENCLOSURE WITH 300 DEPTH): 217.2mm



BOTTOM VIEW

© IP ENCLOSURES 2022.
 THIS DRAWING SHALL NOT BE COPIED OR REPRODUCED
 WITHOUT AUTHORISATION FROM IP ENCLOSURES.
 www.ipenclosures.com.au

Itemref	Quantity	Title/Name, designation, material, dimension etc	Article No./Reference
Designed by IP	Checked by IP	Approved by - date 11/07/22	Filename IP-SSD8080
Date 11/07/22		Scale 1:10	Article No./Reference 800Hx800W 316SS INNER DOOR
Edition 0		Sheet 1/1	IP-SSD8080

