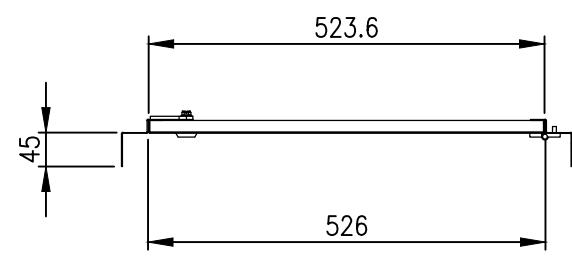
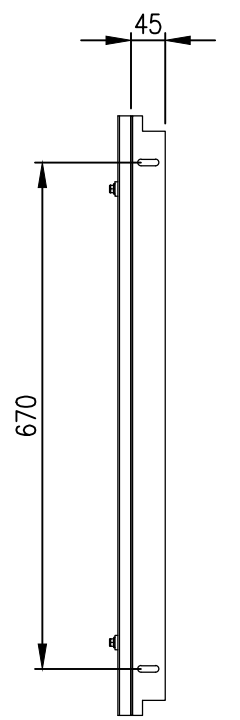


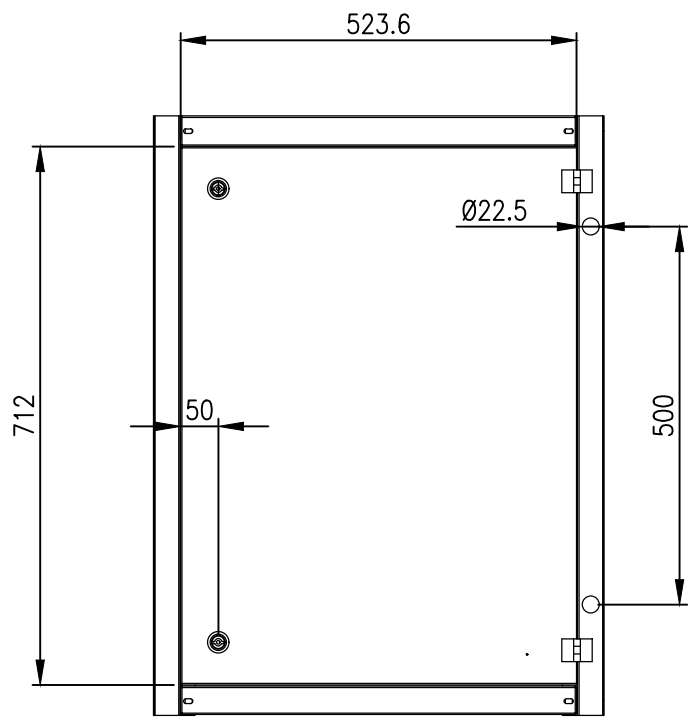
RevNo	Revision note	Date	Signature	Checked
0	GENERAL REVISION		IP	IP



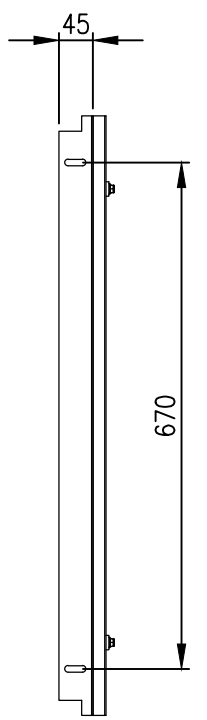
TOP VIEW



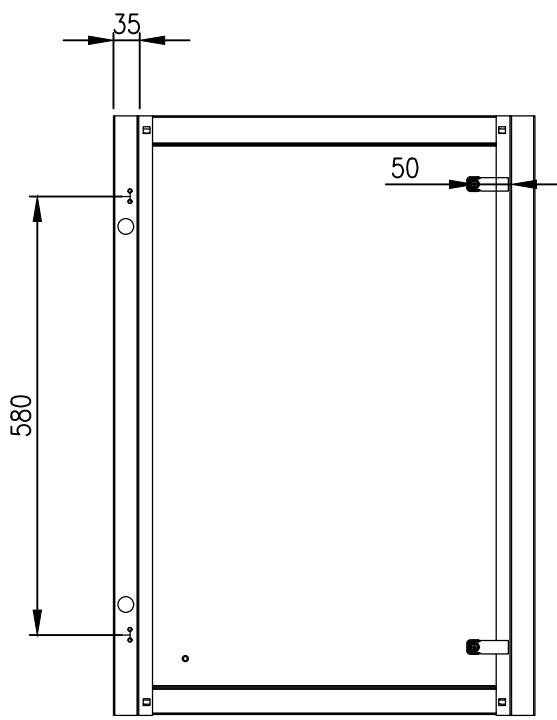
LEFT SIDE VERTICAL FRAME



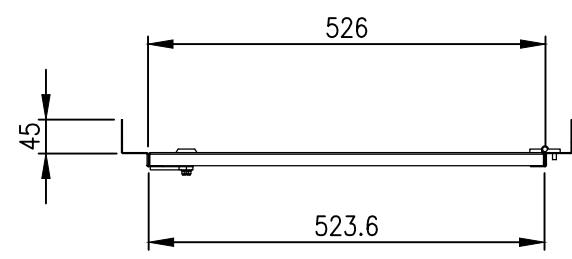
FRONT VIEW



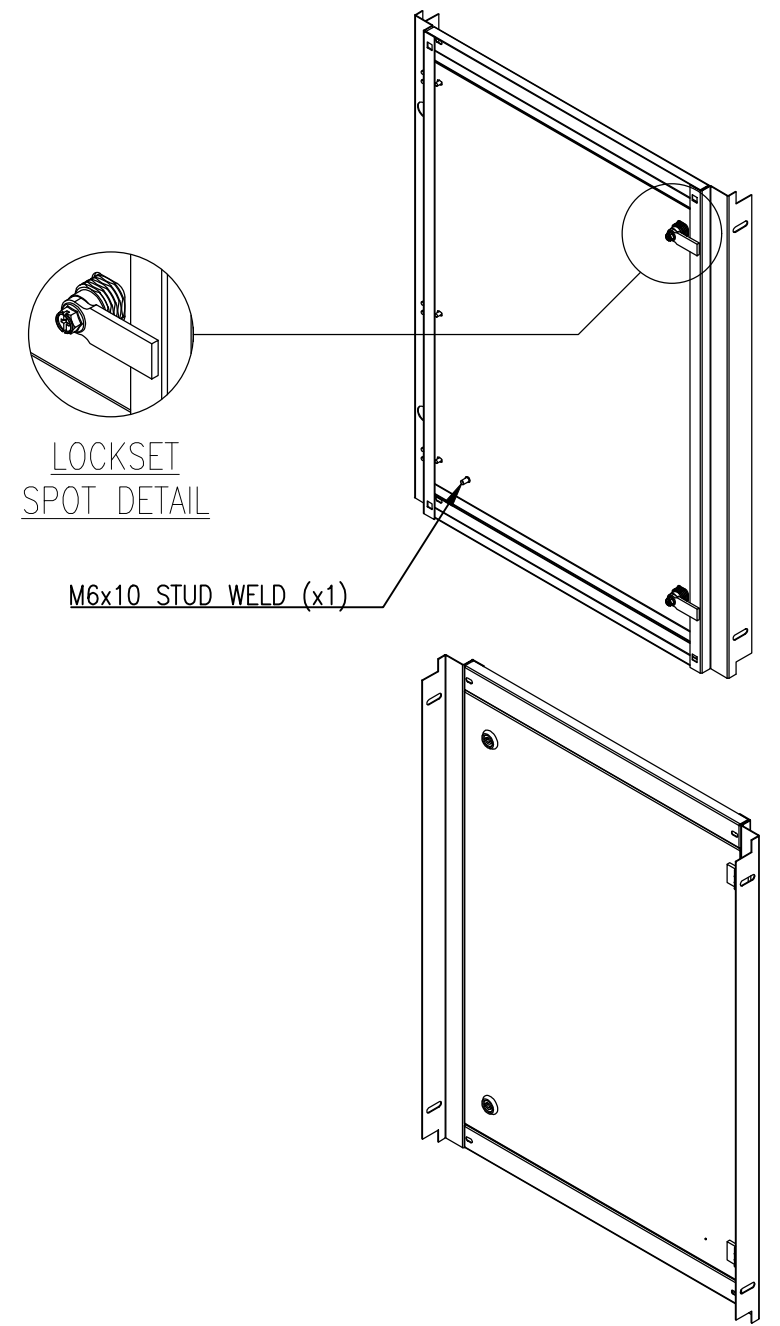
RIGHT SIDE VERTICAL FRAME



REAR VIEW



BOTTOM VIEW



MATERIAL
 FRAME: 1.5mm 316 STAINLESS STEEL
 DOOR PANEL: 1.5mm 316 STAINLESS STEEL

CLEARANCE/DISTANCE DIMENSIONS:
 INNER DOOR TO OUTER DOOR: 68mm
 INNER DOOR TO MOUNTING PLATE:
 -(ENCLOSURE WITH 250 DEPTH): 167.2mm
 -(ENCLOSURE WITH 300 DEPTH): 217.2mm

© IP ENCLOSURES 2022.
 THIS DRAWING SHALL NOT BE COPIED OR REPRODUCED
 WITHOUT AUTHORISATION FROM IP ENCLOSURES.
 www.ipenclosures.com.au

Itemref	Quantity	Title/Name, designation, material, dimension etc	Article No./Reference
IP	1	800Hx600W 316SS INNER DOOR	IP-SSID8060
Designed by	Checked by	Approved by - date	Filename
IP	IP	30/05/22	IP-SSID8060
Date	Scale	Edition	
30/05/22	1:10	0	
Sheet			1/1