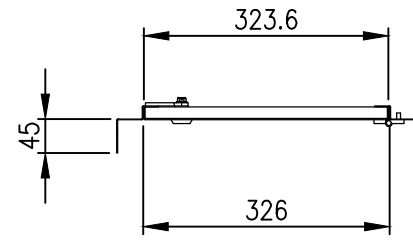
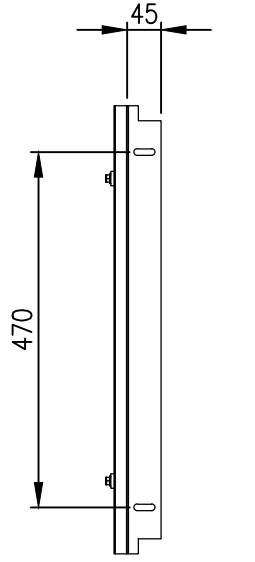


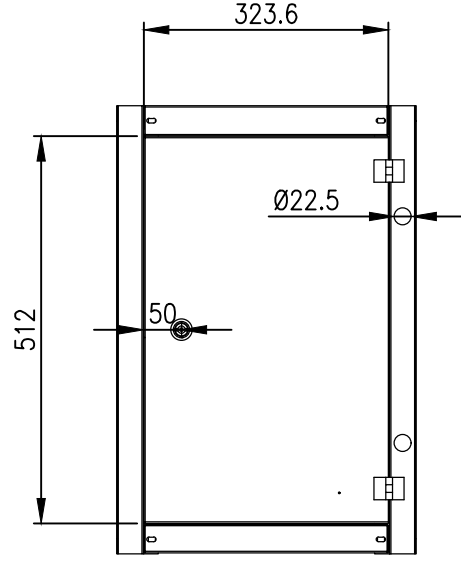
RevNo	Revision note	Date	Signature	Checked
0	GENERAL REVISION		IP	IP



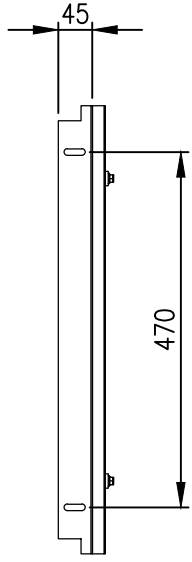
TOP VIEW



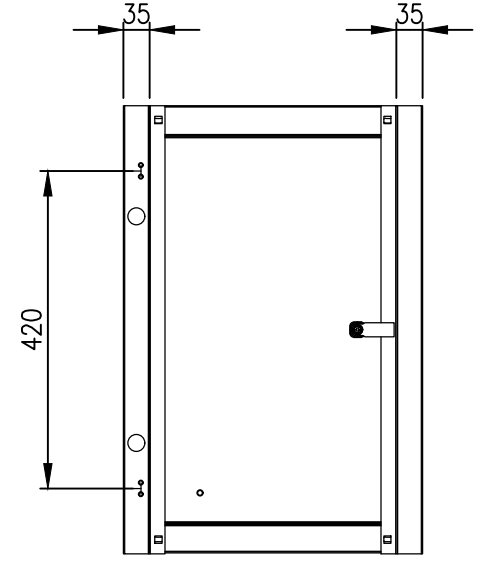
LEFT SIDE VERTICAL FRAME



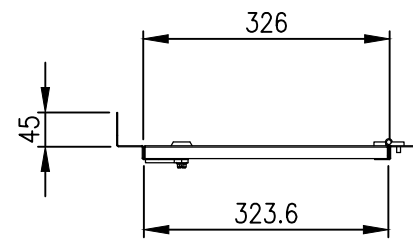
FRONT VIEW



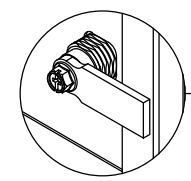
RIGHT SIDE VERTICAL FRAME



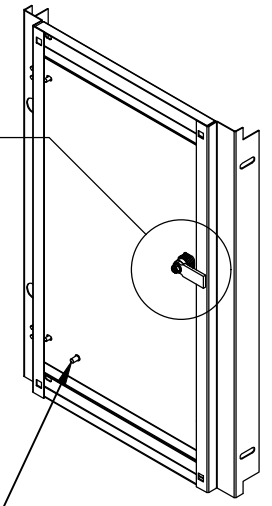
REAR VIEW



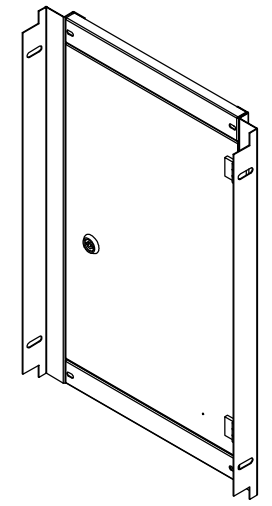
BOTTOM VIEW



LOCKSET SPOT DETAIL



M6x10 STUD WELD (x1)



**MATERIAL**  
 FRAME: 1.5mm 316 STAINLESS STEEL  
 DOOR PANEL: 1.5mm 316 STAINLESS STEEL

**CLEARANCE/DISTANCE DIMENSIONS:**  
 -INNER DOOR TO OUTER DOOR: 68mm  
 -INNER DOOR TO MOUNTING PLATE:  
 -(ENCLOSURE WITH 200 DEPTH): 117.2mm  
 -(ENCLOSURE WITH 300 DEPTH): 217.2mm  
 -(ENCLOSURE WITH 400 DEPTH): 317.2mm

© IP ENCLOSURES 2022.  
 THIS DRAWING SHALL NOT BE COPIED OR REPRODUCED  
 WITHOUT AUTHORISATION FROM IP ENCLOSURES.  
 www.ipenclosures.com.au

Itemref	Quantity	Title/Name, designation, material, dimension etc	Article No./Reference
IP	1	600Hx400W 316SS INNER DOOR	IP-SSID6040
Designed by	Checked by	Approved by - date	Filename Date Scale
IP	IP	04/07/22	IP-SSID6040 04/07/22 1:10
IP Enclosures			Edition Sheet
IP-SSID6040			0 1/1