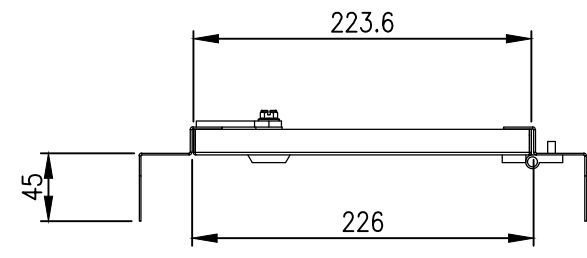
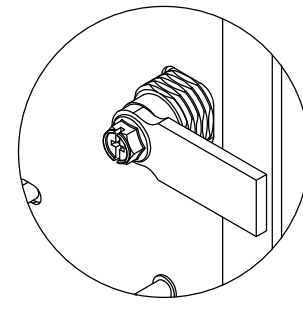


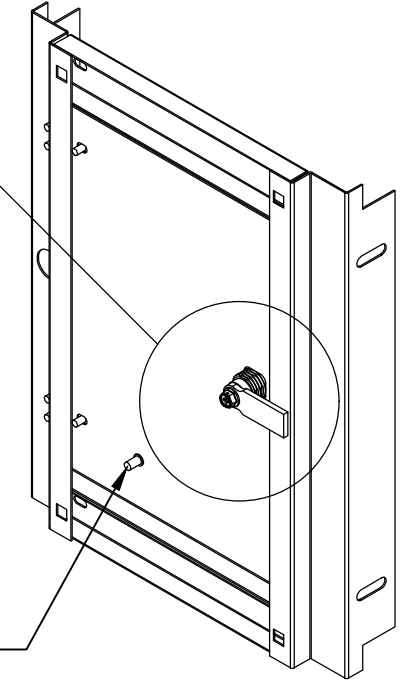
RevNo	Revision note	Date	Signature	Checked
0	GENERAL REVISION		IP	IP



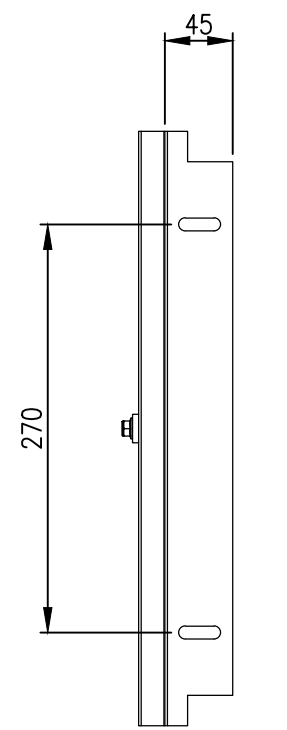
TOP VIEW



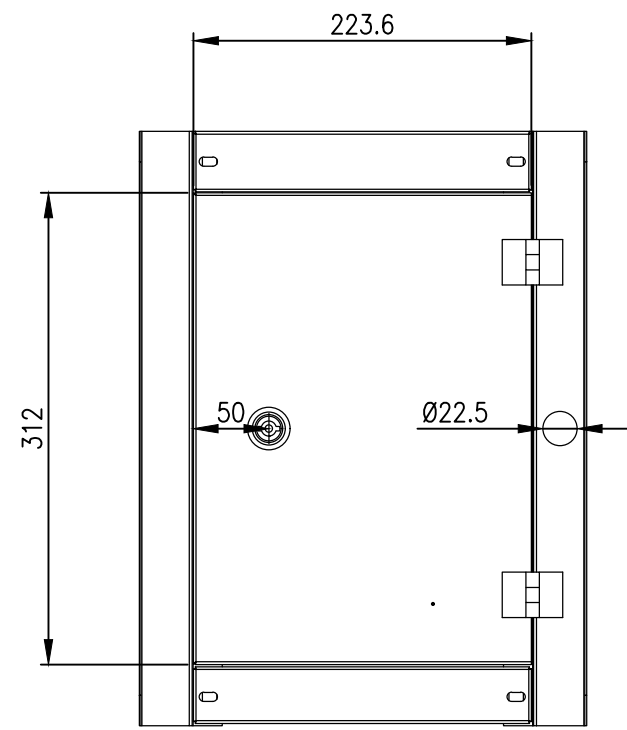
LOCKSET SPOT DETAIL



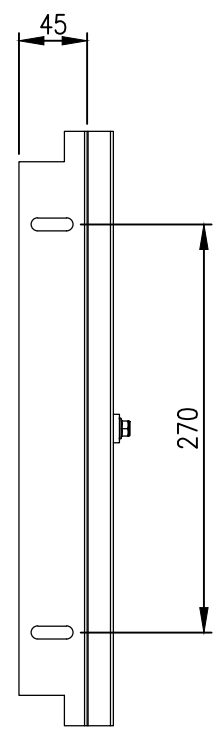
M6x10 STUD WELD (x1)



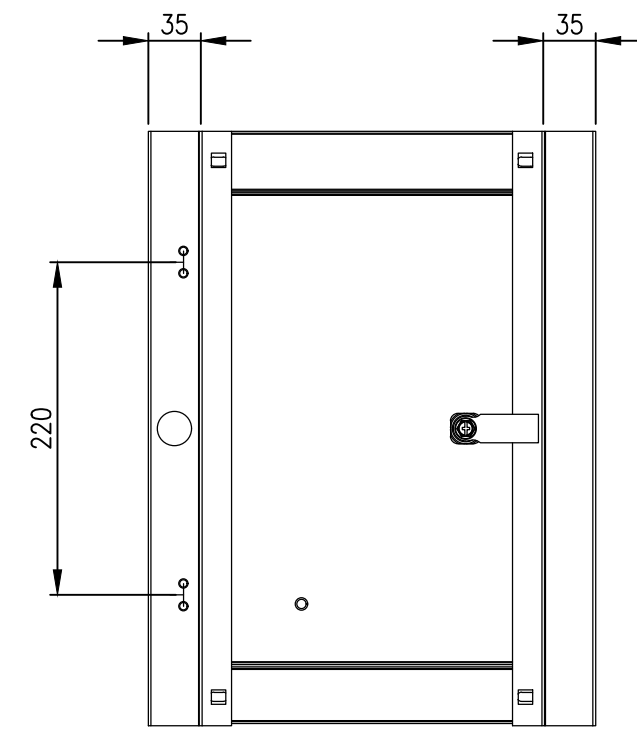
LEFT SIDE VERTICAL FRAME



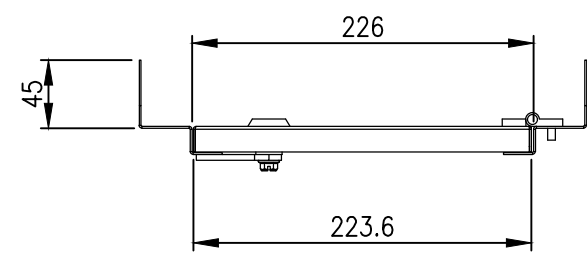
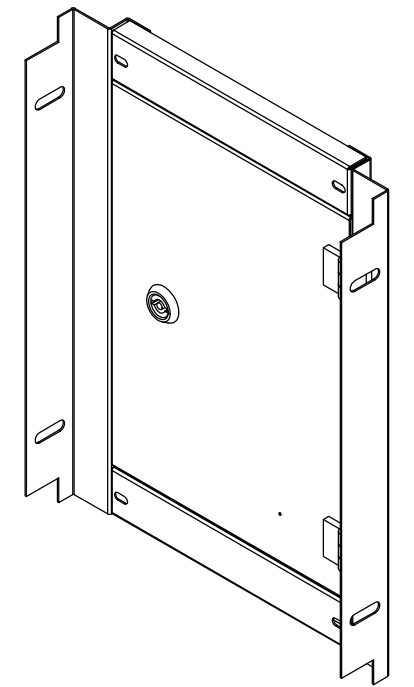
FRONT VIEW



RIGHT SIDE VERTICAL FRAME



REAR VIEW



BOTTOM VIEW

**MATERIAL**  
 FRAME: 1.5mm 316 STAINLESS STEEL  
 DOOR PANEL: 1.5mm 316 STAINLESS STEEL

**CLEARANCE/DISTANCE DIMENSIONS:**  
 -INNER DOOR TO OUTER DOOR: 68mm  
 -INNER DOOR TO MOUNTING PLATE:  
 -(ENCLOSURE WITH 150 DEPTH): 67.2mm  
 -(ENCLOSURE WITH 200 DEPTH): 117.2mm

© IP ENCLOSURES 2022.  
 THIS DRAWING SHALL NOT BE COPIED OR REPRODUCED  
 WITHOUT AUTHORISATION FROM IP ENCLOSURES.  
 www.ipenclosures.com.au

Itemref	Quantity	Title/Name, designation, material, dimension etc			Article No./Reference	
Designed by IP	Checked by IP	Approved by - date 04/07/22	Filename IP-SSD4030	Date 04/07/22	Scale 1:5	
IP Enclosures				400Hx300W 316SS INNER DOOR		
				IP-SSD4030	Edition 0	Sheet 1/1