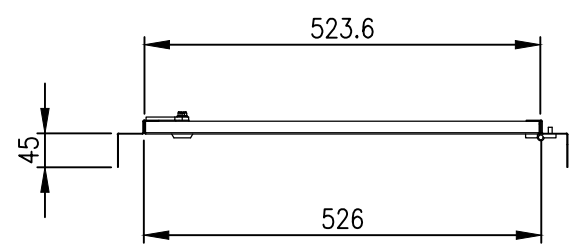
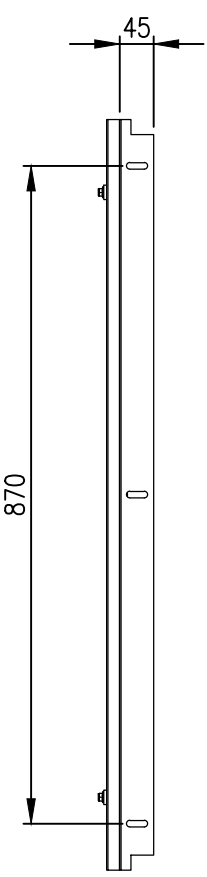


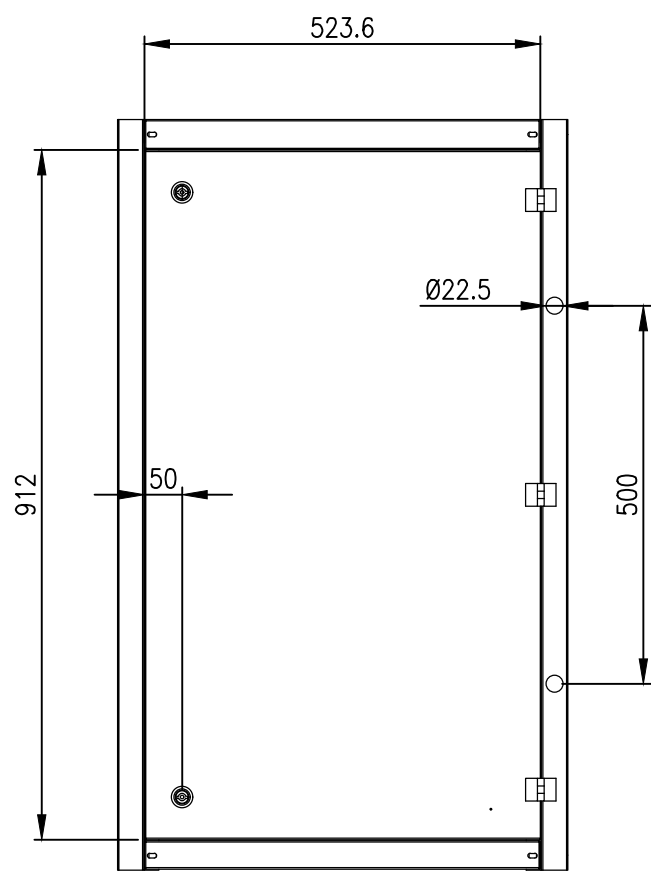
| | | | | |
|-------|------------------|------|-----------|---------|
| RevNo | Revision note | Date | Signature | Checked |
| 0 | GENERAL REVISION | | IP | IP |



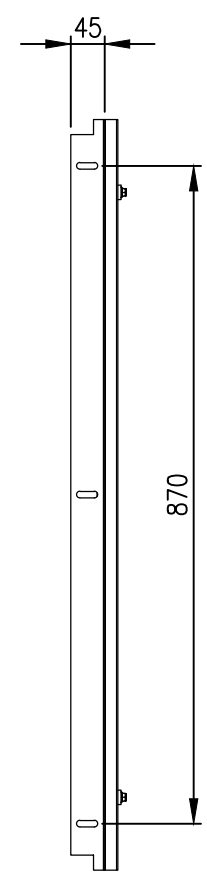
TOP VIEW



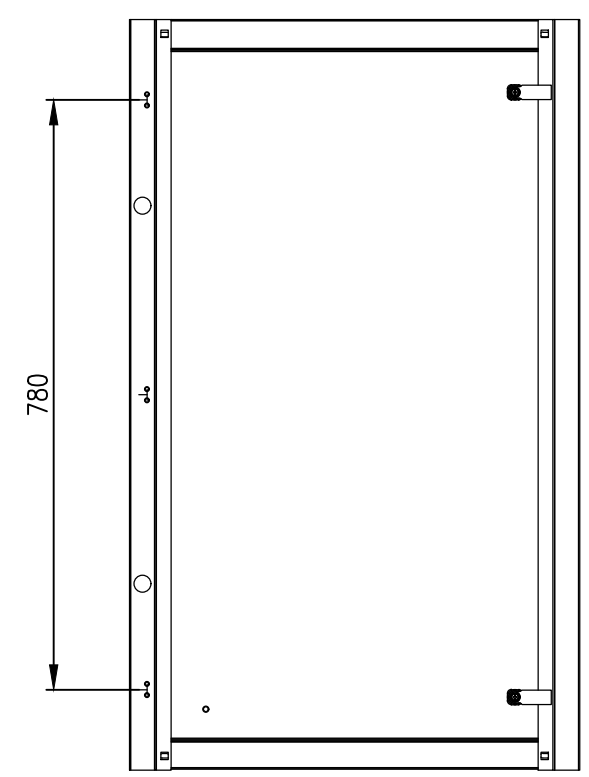
LEFT SIDE VERTICAL FRAME



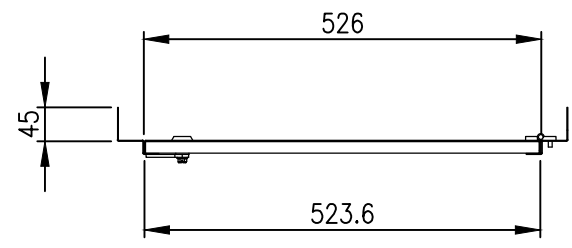
FRONT VIEW



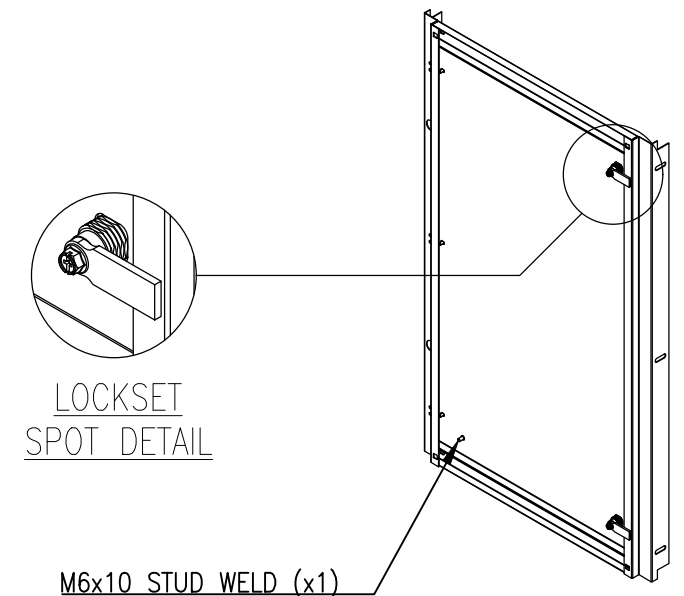
RIGHT SIDE VERTICAL FRAME



REAR VIEW



BOTTOM VIEW



LOCKSET SPOT DETAIL

M6x10 STUD WELD (x1)

MATERIAL
 FRAME: 1.5mm 316 STAINLESS STEEL
 DOOR PANEL: 1.5mm 316 STAINLESS STEEL

CLEARANCE/DISTANCE DIMENSIONS:
 -INNER DOOR TO OUTER DOOR: 68mm
 -INNER DOOR TO MOUNTING PLATE:
 -(ENCLOSURE WITH 300 DEPTH): 217.2mm

© IP ENCLOSURES 2022.
 THIS DRAWING SHALL NOT BE COPIED OR REPRODUCED
 WITHOUT AUTHORISATION FROM IP ENCLOSURES.
 www.ipenclosures.com.au

| | | | |
|-------------------|------------------|--|---|
| Itemref | Quantity | Title/Name, designation, material, dimension etc | Article No./Reference |
| Designed by IP | Checked by IP | Approved by - date 11/07/22 | Filename IP-SSID10060 Date 11/07/22 Scale 1:10 |
| IP Enclosures | | 1000Hx600W 316SS INNER DOOR | |
| | | IP-SSID10060 | Edition 0 Sheet 1/1 |