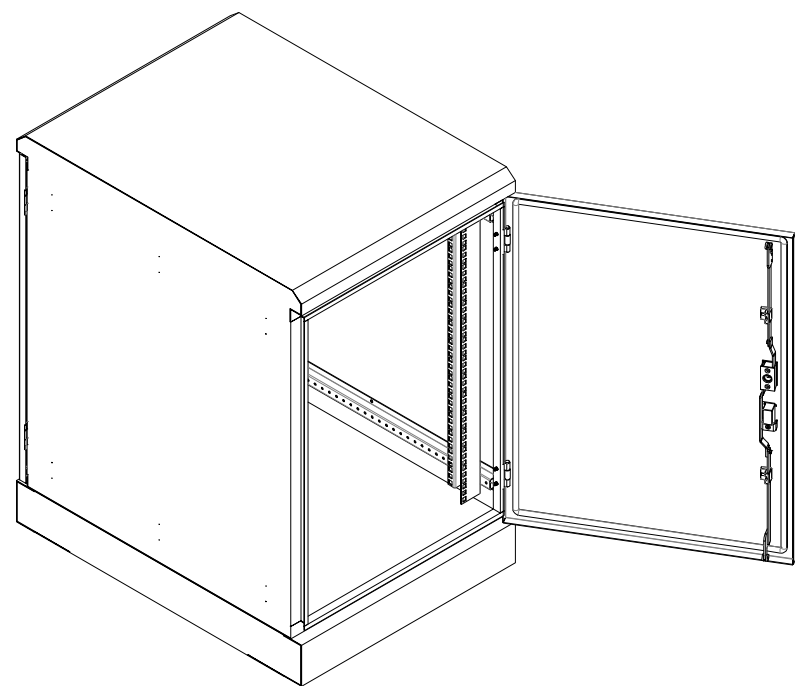
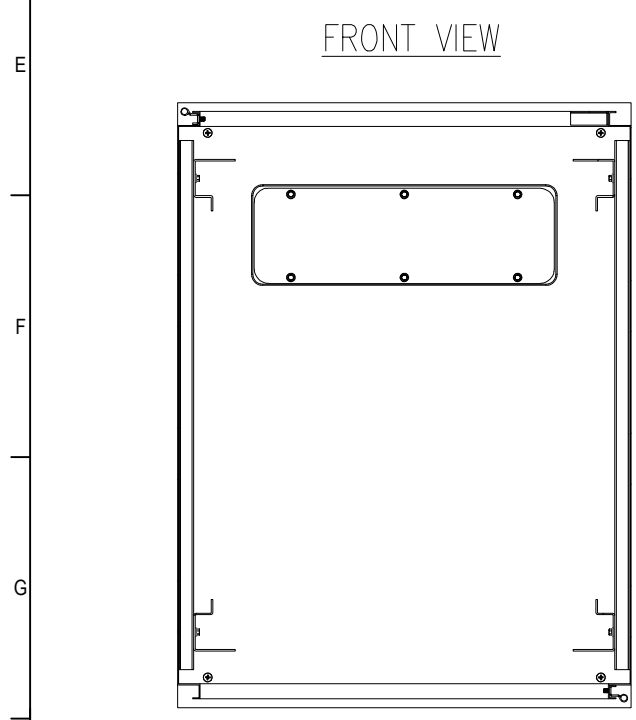
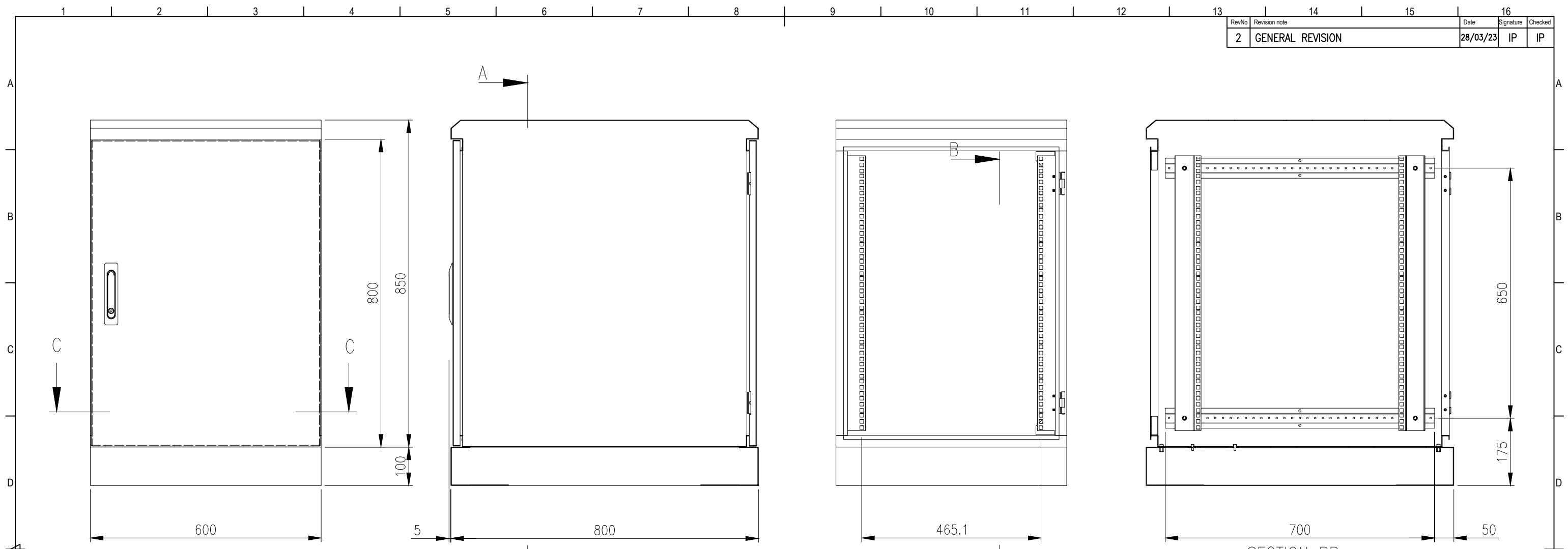


RevNo	Revision note	Date	Signature	Checked
2	GENERAL REVISION	28/03/23	IP	IP



**MATERIAL**  
 BODY: 1.5mm STAINLESS STEEL  
 DOOR: 1.5mm STAINLESS STEEL  
 19" DATA RACK RAILS: 1.5mm GALVANISED STEEL  
 SEAL: POLYURETHANE

**PROTECTION:** IP66 IK10, NEMA4  
**STANDARD:** IEC/EN/AS60529

© IP ENCLOSURES 2018.  
 THIS DRAWING SHALL NOT BE COPIED OR REPRODUCED  
 WITHOUT AUTHORISATION FROM IP ENCLOSURES.  
 www.ipenclosures.com.au

Itemref	Quantity	Title/Name, designation, material, dimension etc	Article No./Reference
Designed by IP	Checked by IP	Approved by - date 02/07/18	Filename IP-SSD806080
		Date 02/07/18	Scale 1:10
			<b>16RU 316SS IP66 19" DATA RACK</b> IP-SSD806080
			Edition 2 Sheet 1/1