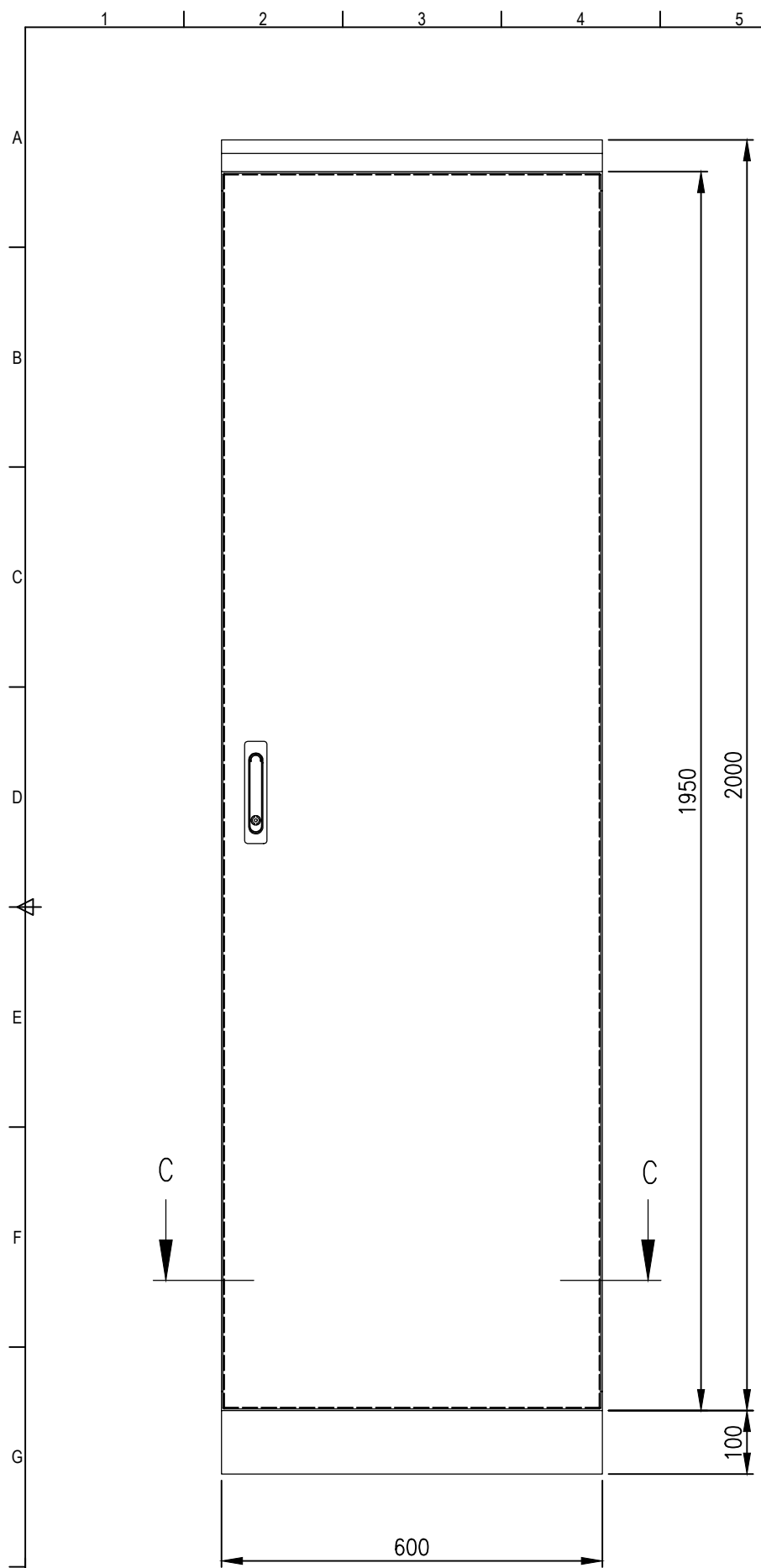
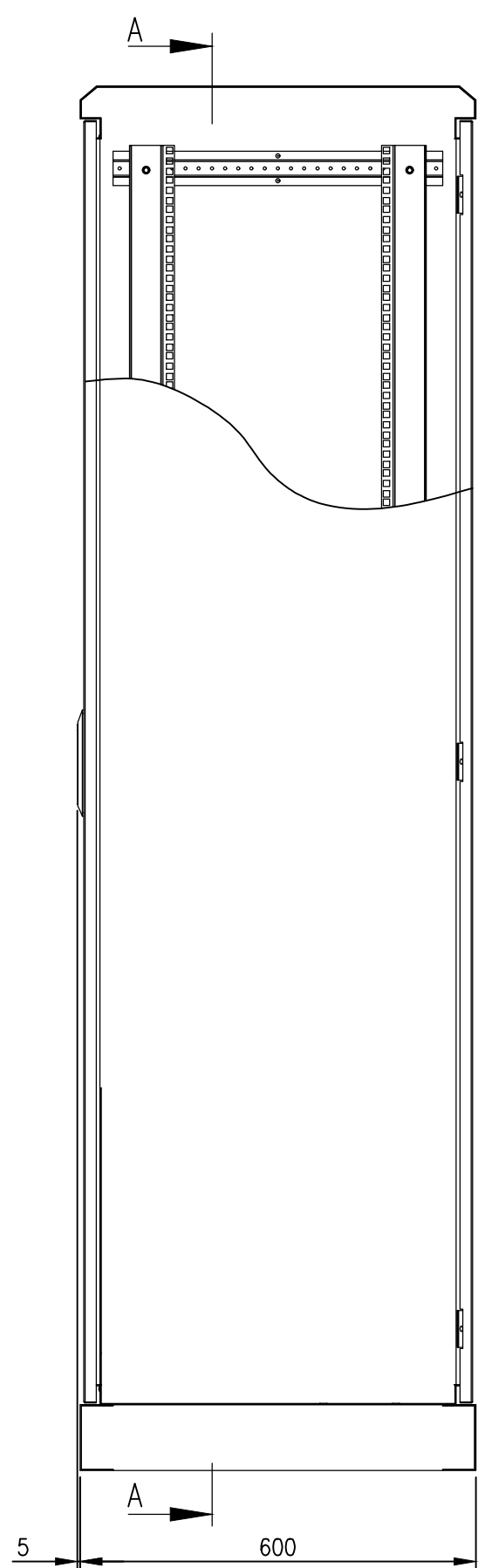


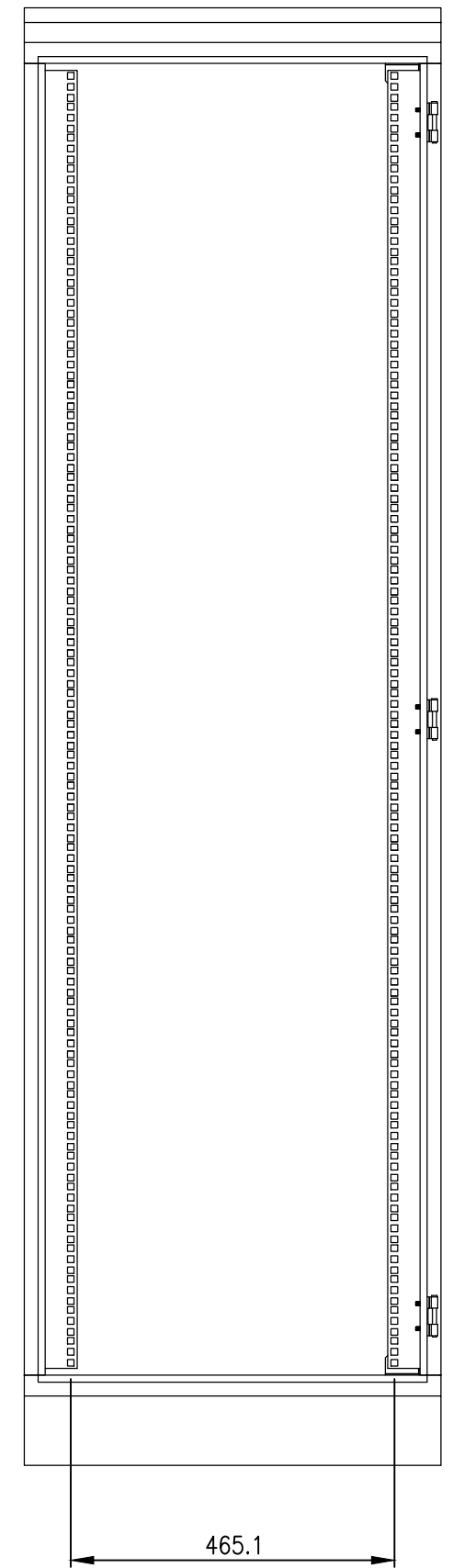
RevNo	Revision note	Date	Signature	Checked
2	GENERAL REVISION	28/03/23	IP	IP



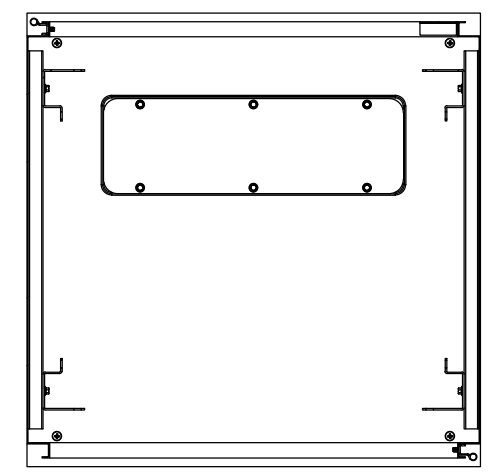
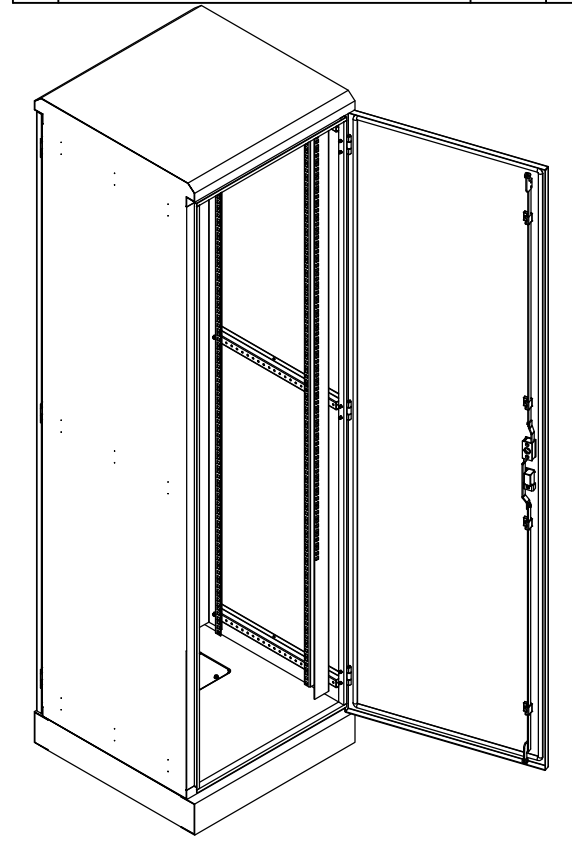
FRONT VIEW



SIDE VIEW



SECTION AA



SECTION CC

**MATERIAL**  
 BODY: 1.5mm STAINLESS STEEL  
 DOOR: 1.5mm STAINLESS STEEL  
 19" DATA RACK RAILS: 1.5mm GALVANISED STEEL  
 SEAL: POLYURETHANE

**PROTECTION: IP66 IK10, NEMA4**  
**STANDARD: IEC/EN/AS60529**

© IP ENCLOSURES 2018.  
 THIS DRAWING SHALL NOT BE COPIED OR REPRODUCED  
 WITHOUT AUTHORISATION FROM IP ENCLOSURES.  
 www.ipenclosures.com.au

Itemref	Quantity	Title/Name, designation, material, dimension etc		Article No./Reference	
IP	1	42RU 316SS IP66 19" DATA RACK	IP-SSD2006060	2	1/1
Designed by	Checked by	Approved by - date	Filename	Date	Scale
IP	IP	02/07/18	IP-SSD2006060	02/07/18	1:10