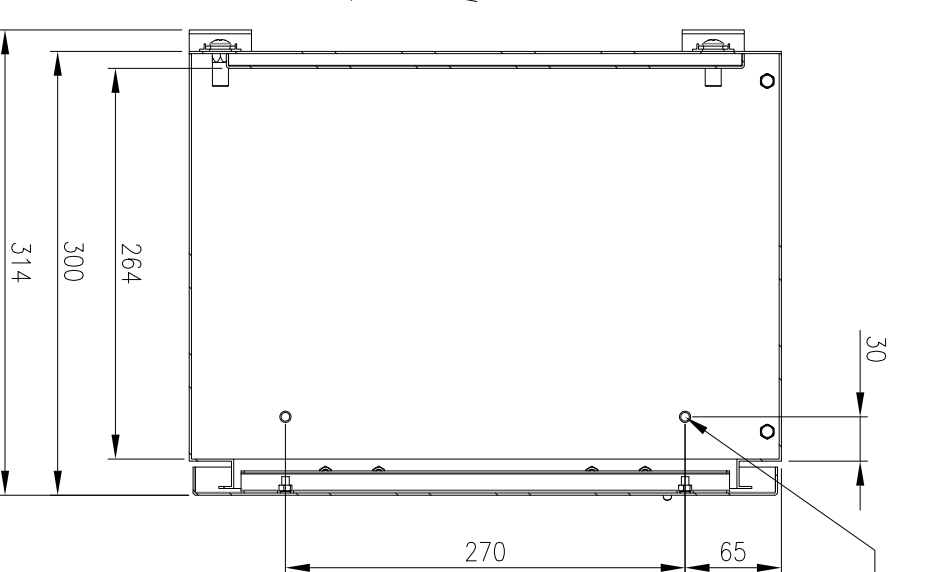
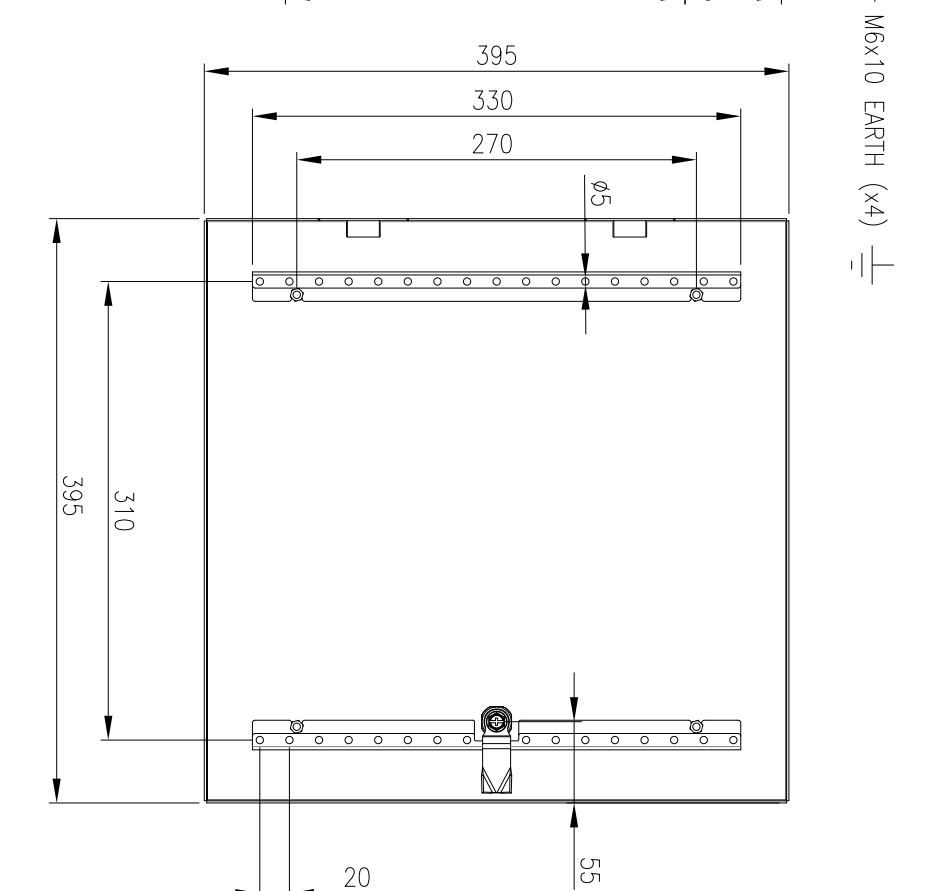


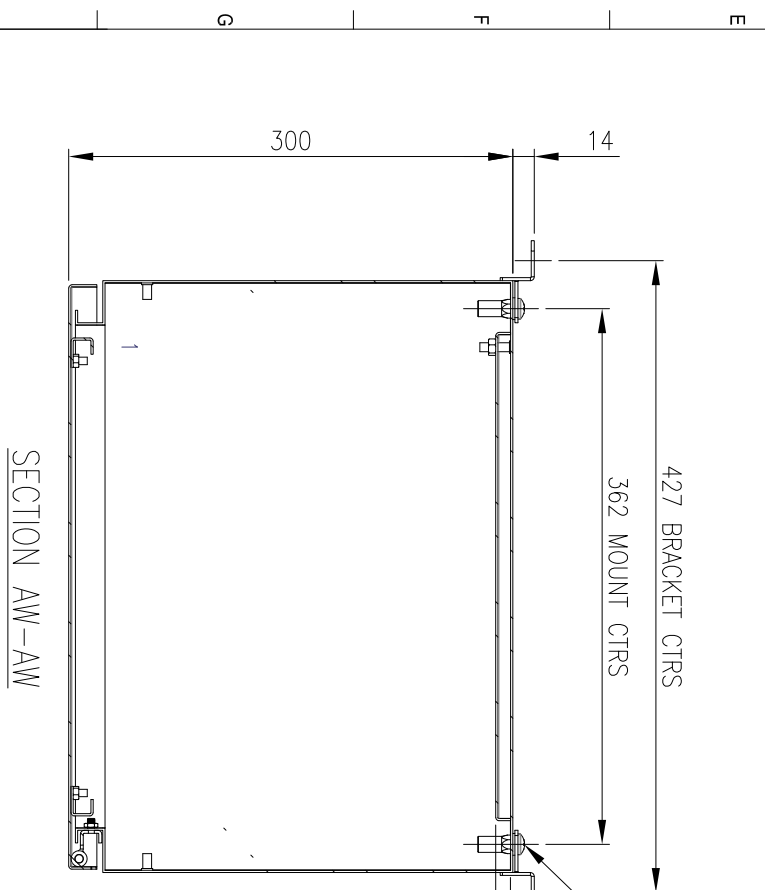
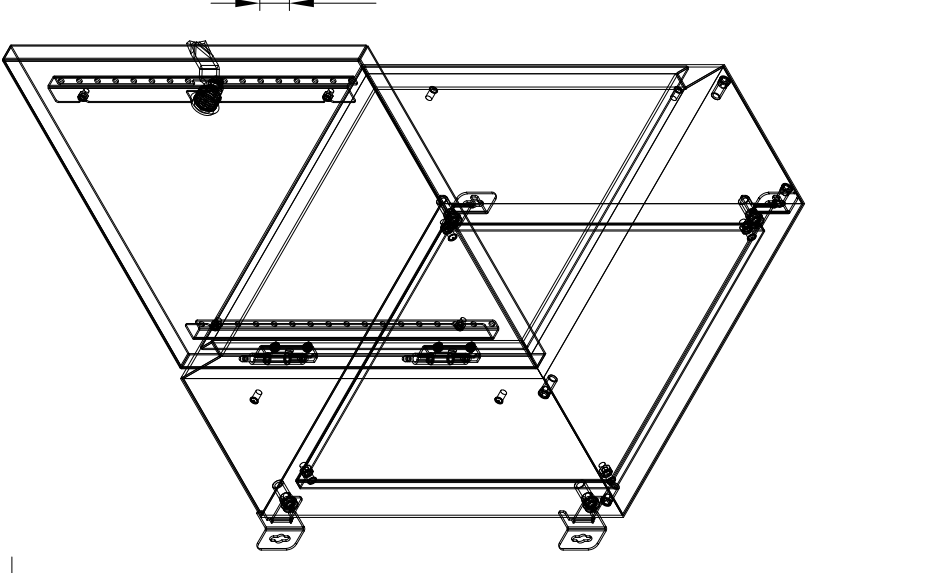
FRONT VIEW



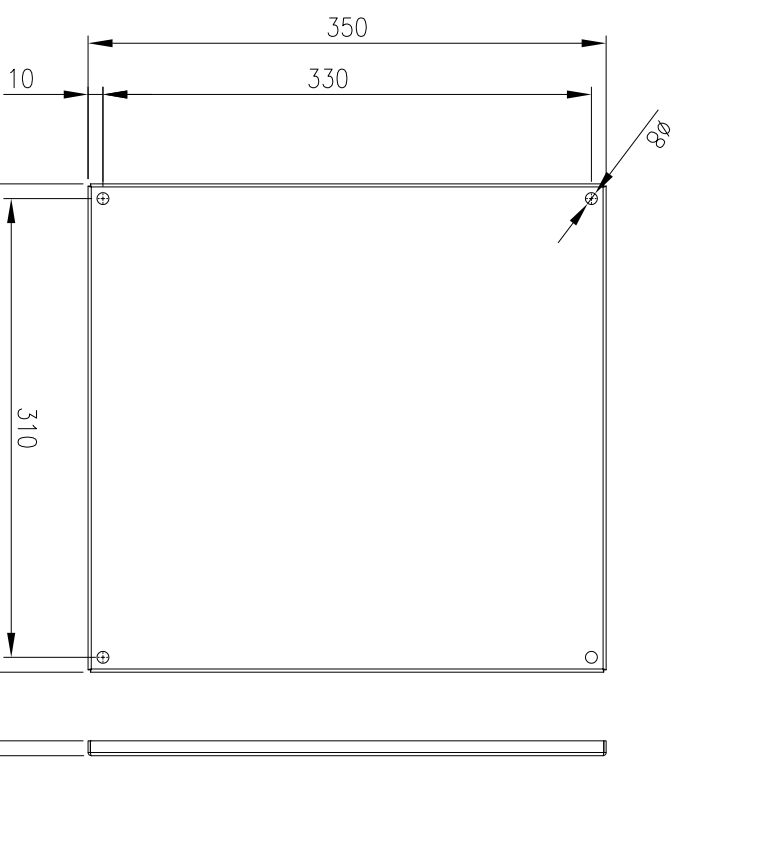
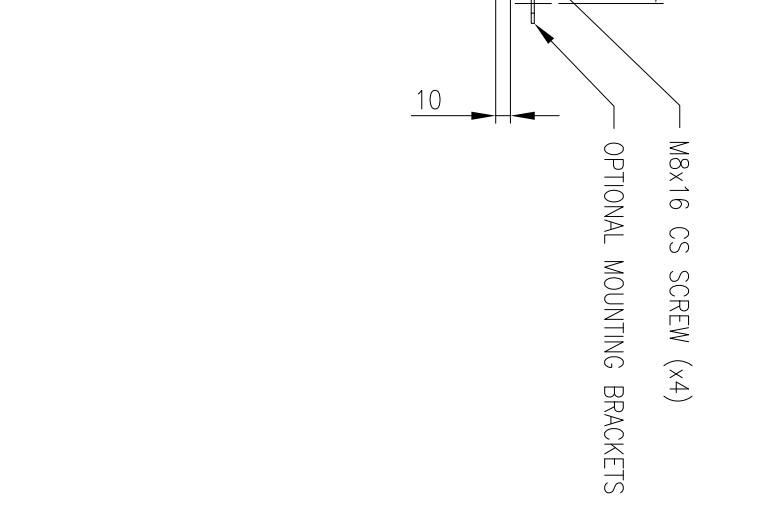
SECTION AV-AV



INSIDE DOOR VIEW



SECTION AW-AW



DEVICE MOUNTING PLATE

MATERIAL
 BODY: 1.5mm 316 STAINLESS STEEL
 DOOR: 1.5mm 316 STAINLESS STEEL
 DEVICE PLATE: 1.5mm GALV STEEL
 SEAL: POLYURETHANE
 PROTECTION: IP66 IK10, NEMA4x
 STANDARD: IEC62208, IEC/EN/AS60529

© IP ENCLOSURES 2016.
 THIS DRAWING SHALL NOT BE COPIED OR REPRODUCED
 WITHOUT AUTHORISATION FROM IP ENCLOSURES.
 www.ipenclosures.com.au

Item#	Quantity	Part/Name, designation, material, dimension etc.	Article No./Reference	Scale
IP		Thickness, designation, material, dimension etc.		1:5
Designed by	Checked by	Approved by - date	Filename	Date
IP		28/06/21	IP-SS40030-01	28/06/21
			400X400X300 316SS ENCLOSURE	
			IP-SS40030-01	
			0	1/1