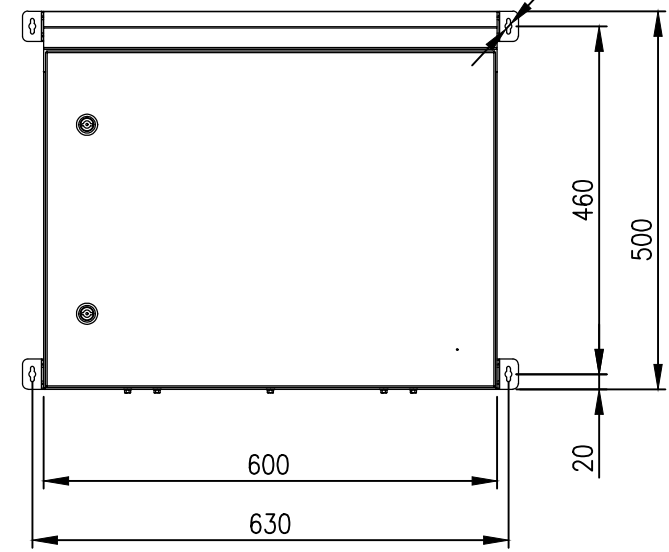
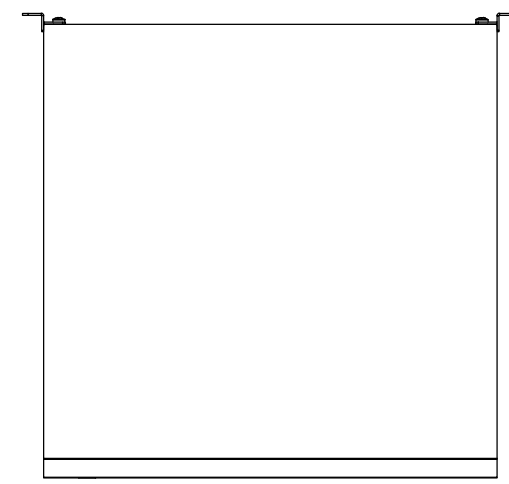
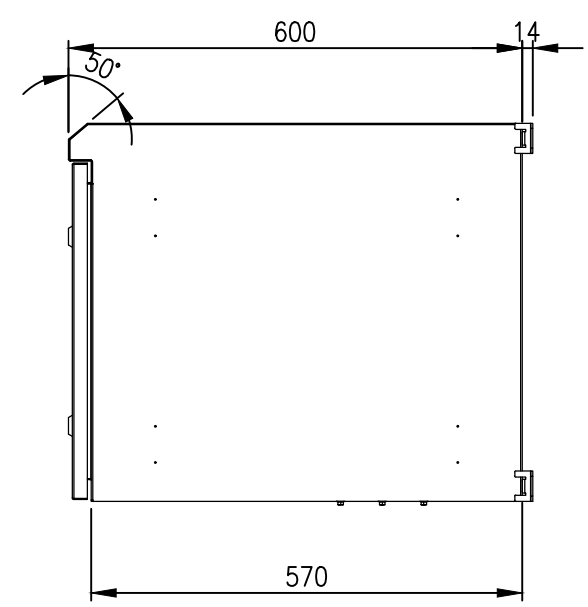


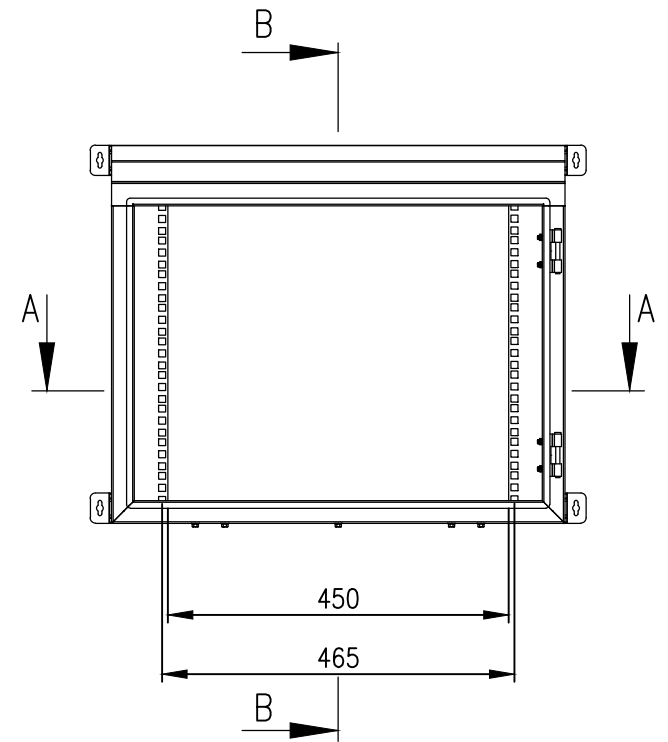
PLAN



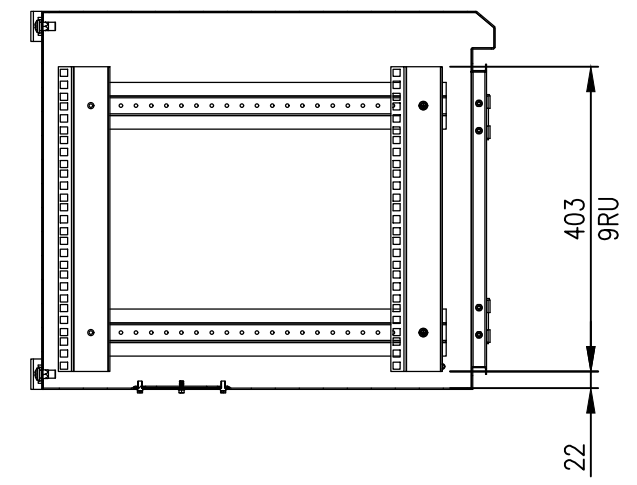
FRONT VIEW



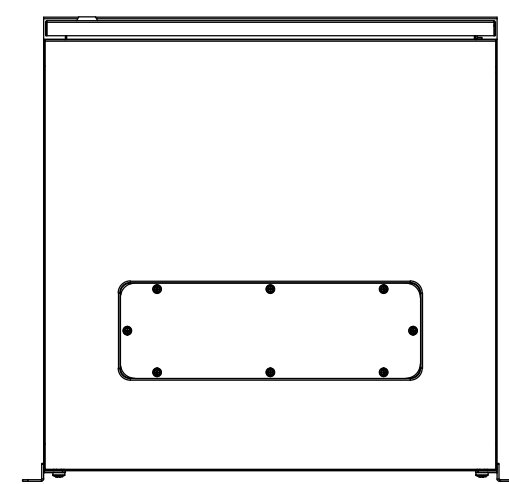
SIDE VIEW



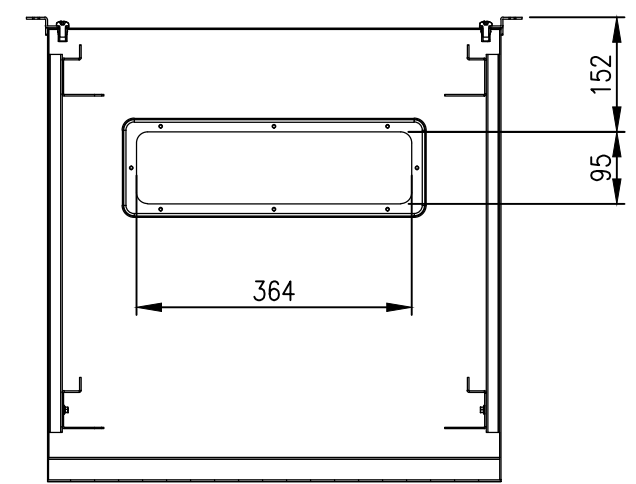
FRONT VIEW - DOOR REMOVED



SECTION BB



BOTTOM VIEW



SECTION AA

**MATERIAL**  
 BODY: 1.5mm GALVANISED STEEL SHEET  
 DOOR: 1.5mm GALVANISED STEEL SHEET  
 19" RAILS: 1.5mm GALVANISED STEEL SHEET  
 SEAL: POLYURETHANE  
 SURFACE TREATMENT: POWDER-COAT 80-120micron  
 COLOR: RAL 9005 JET BLACK

**PROTECTION:** IP66 IK10  
**STANDARD:** IEC/EN62208, IEC/EN/AS60529

© IP ENCLOSURES 2024.  
 THIS DRAWING SHALL NOT BE COPIED OR REPRODUCED  
 WITHOUT AUTHORISATION FROM IP ENCLOSURES.  
 www.ipenclosures.com.au

Itemref	Quantity	Title/Name, designation, material, dimension etc	Article No./Reference
Designed by IP	Checked by IP	Approved by - date 09/02/24	Filename IP-SDW9RU60-BLK Date 09/02/24 Scale 1:10
			9RU 19" DATA RACK 600 DEEP IP-SDW9RU60-BLK Edition 0 Sheet 1/1