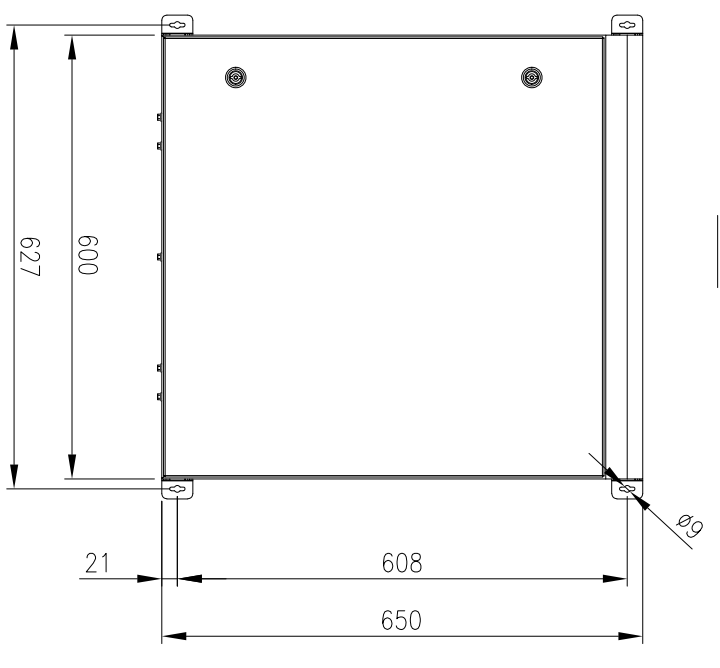
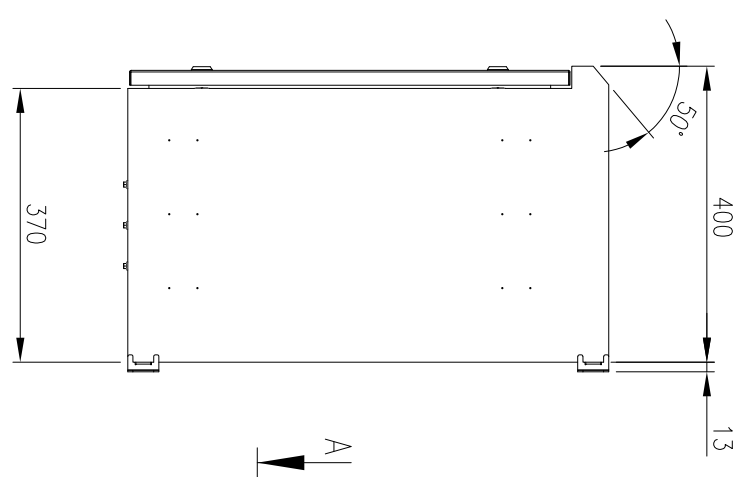


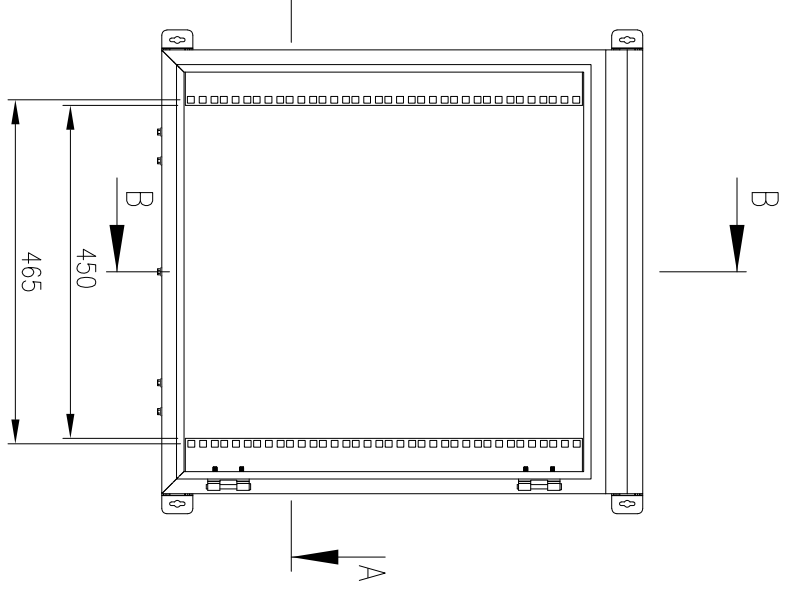
PLAN



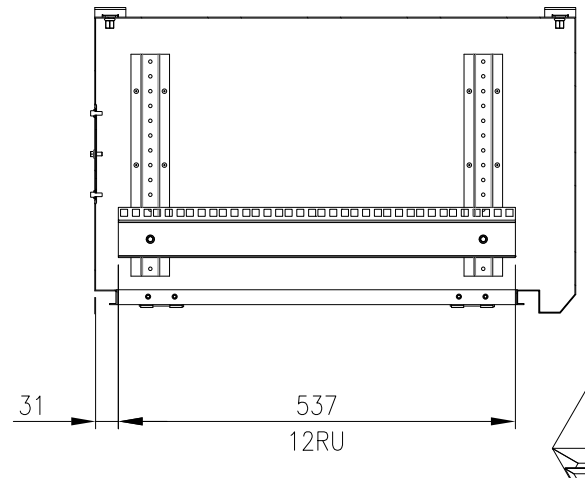
FRONT VIEW



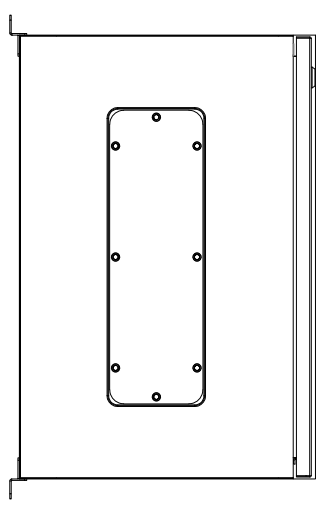
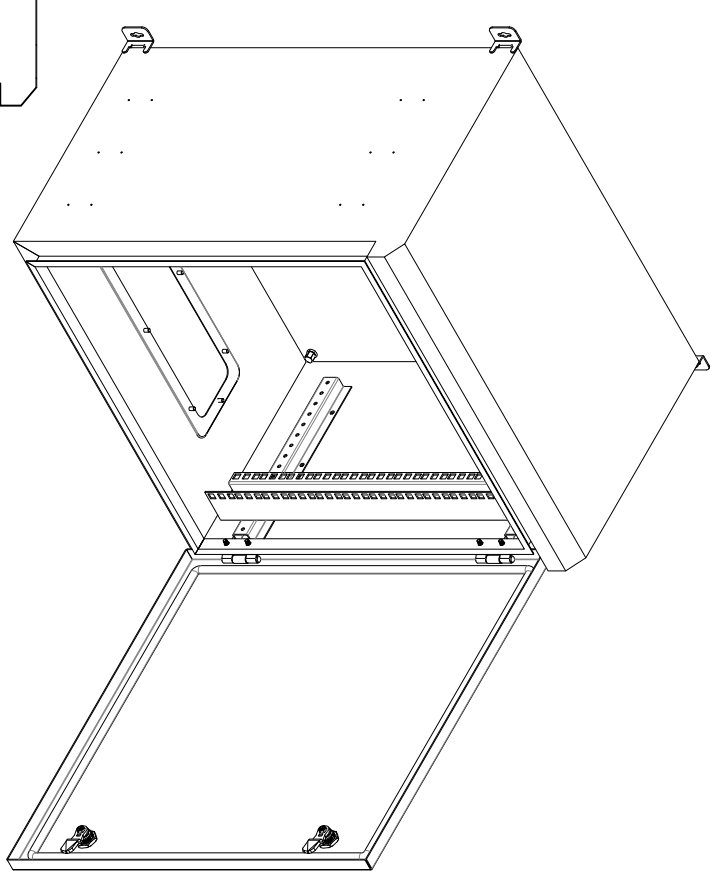
SIDE VIEW



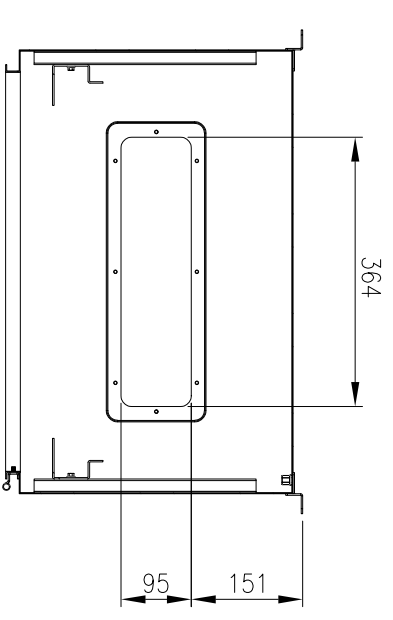
FRONT VIEW - DOOR REMOVED



SECTION BB



BOTTOM VIEW



SECTION AA

**MATERIAL**  
 BODY: 1.5mm GALVANISED STEEL SHEET  
 DOOR: 1.5mm GALVANISED STEEL SHEET  
 19" RAILS: 1.5mm GALVANISED STEEL SHEET  
 SEAL: POLYURETHANE  
 SURFACE TREATMENT: POWDER-COAT 80-120micron

PROTECTION: IP66 IK10, NEMA4  
 STANDARD: EIA-310-D, IEC/EN/AS60529

Item#	Quantity	Part/Item designation, material, dimension etc.	Article No./Reference	Scale
IP	1	12RU 19" DATA RACK 400 DEEP	IP-SDW12RU40	1:10
IP	0	IP-SDW12RU40	IP-SDW12RU40	1/1"

© IP ENCLOSURES 2016.  
 THIS DRAWING SHALL NOT BE COPIED OR REPRODUCED  
 WITHOUT AUTHORISATION FROM IP ENCLOSURES.  
 www.ipenclosures.com.au

