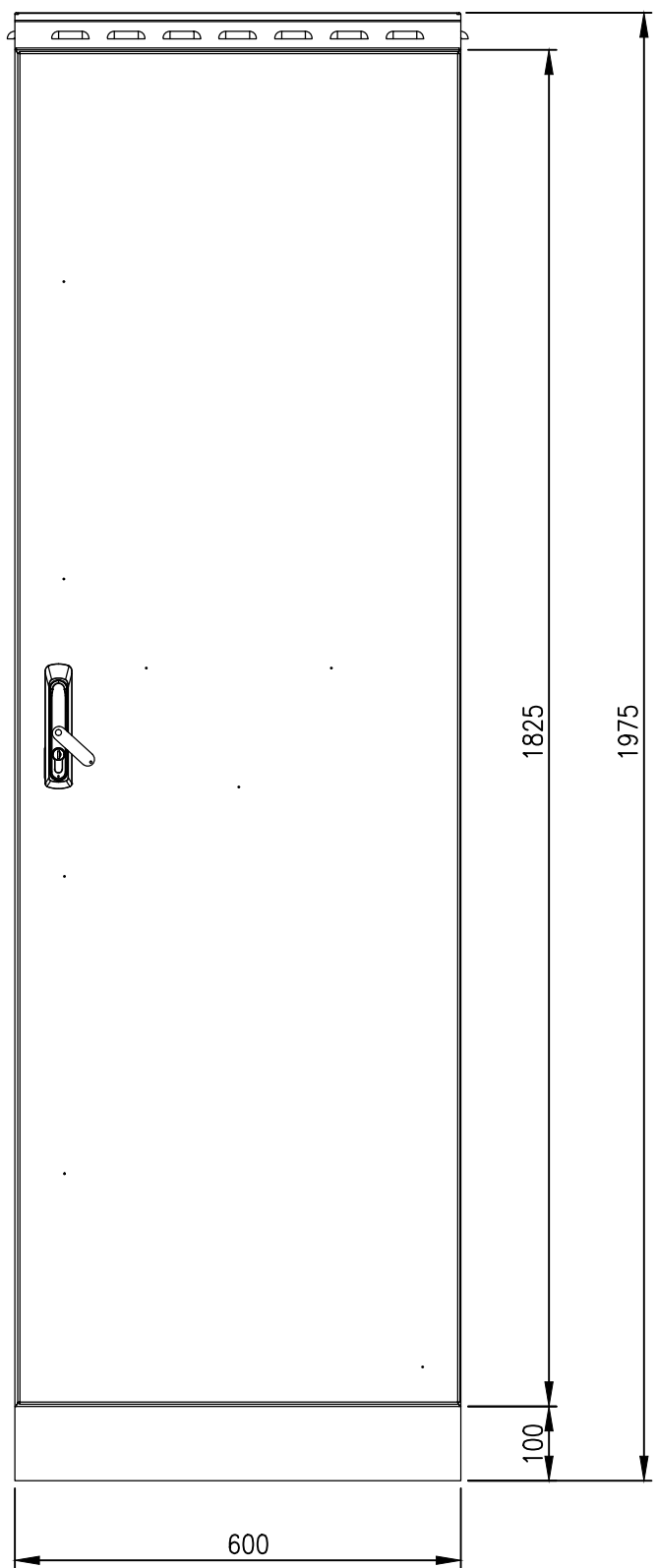
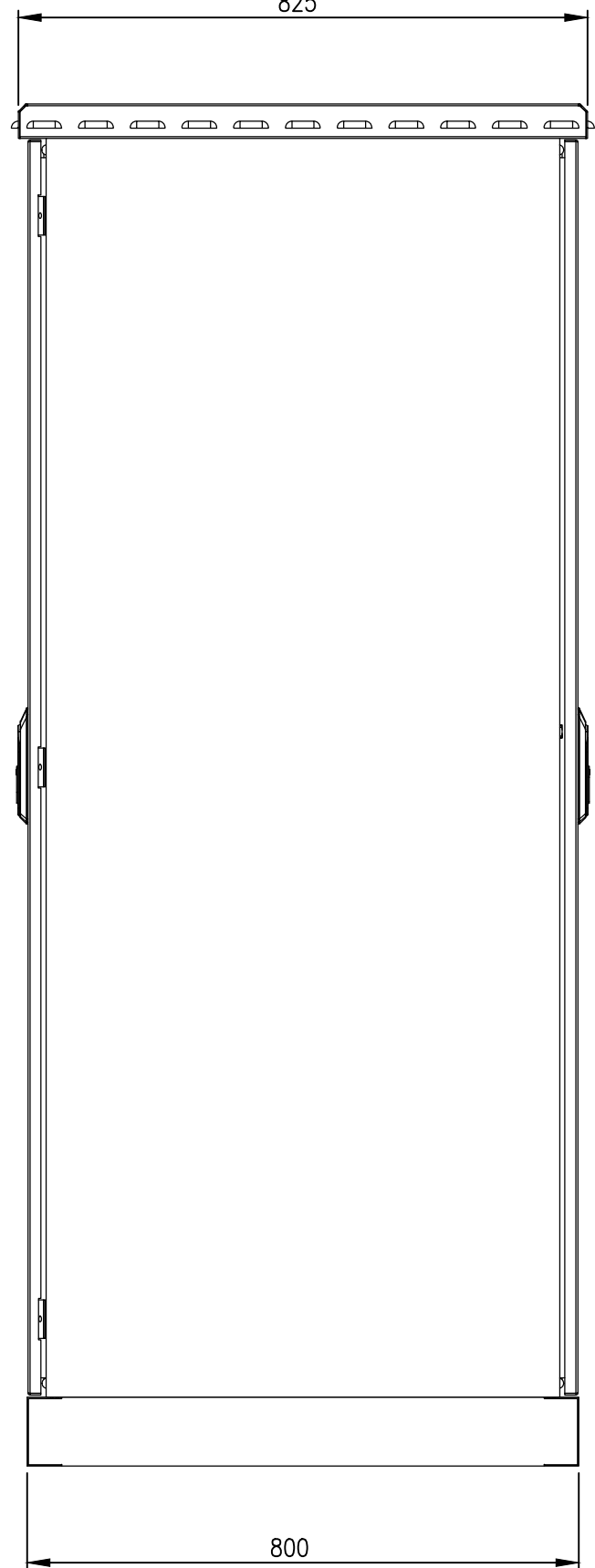


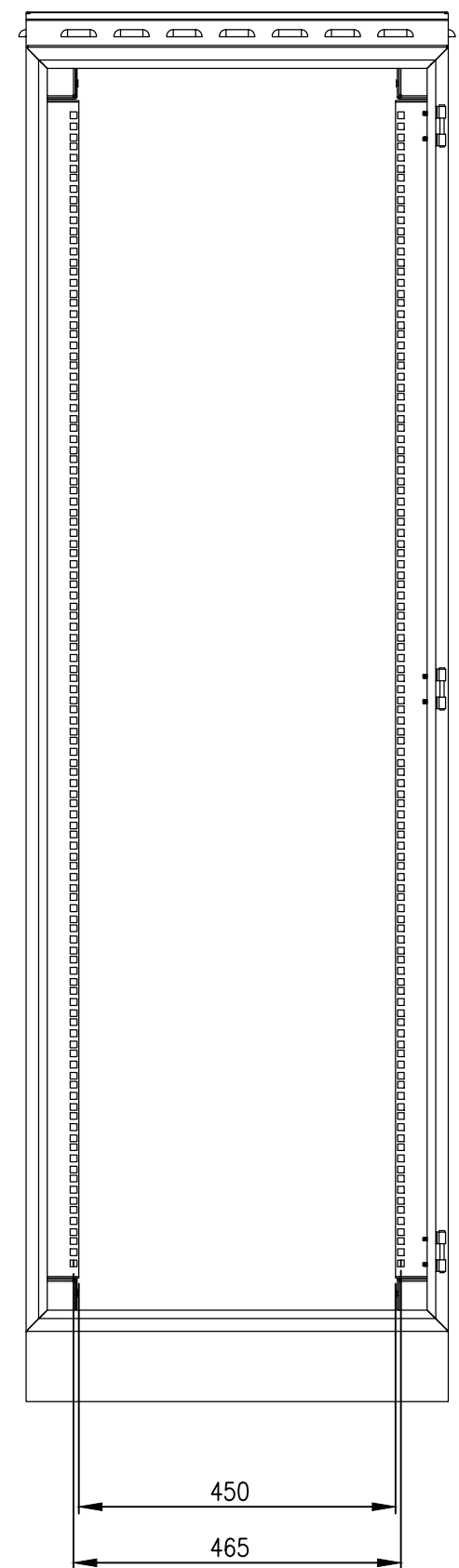
RevNo	Revision note	Date	Signature	Checked
1	GENERAL REVISION	06/01/23	IP	IP



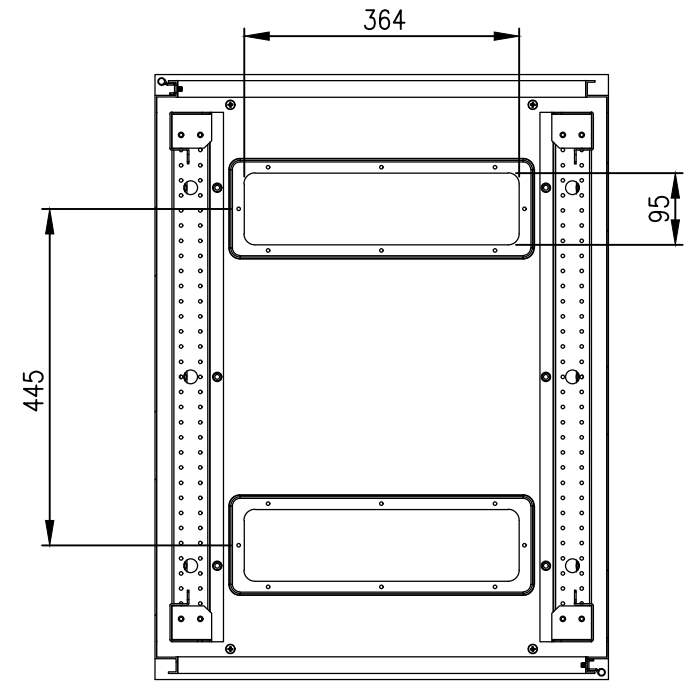
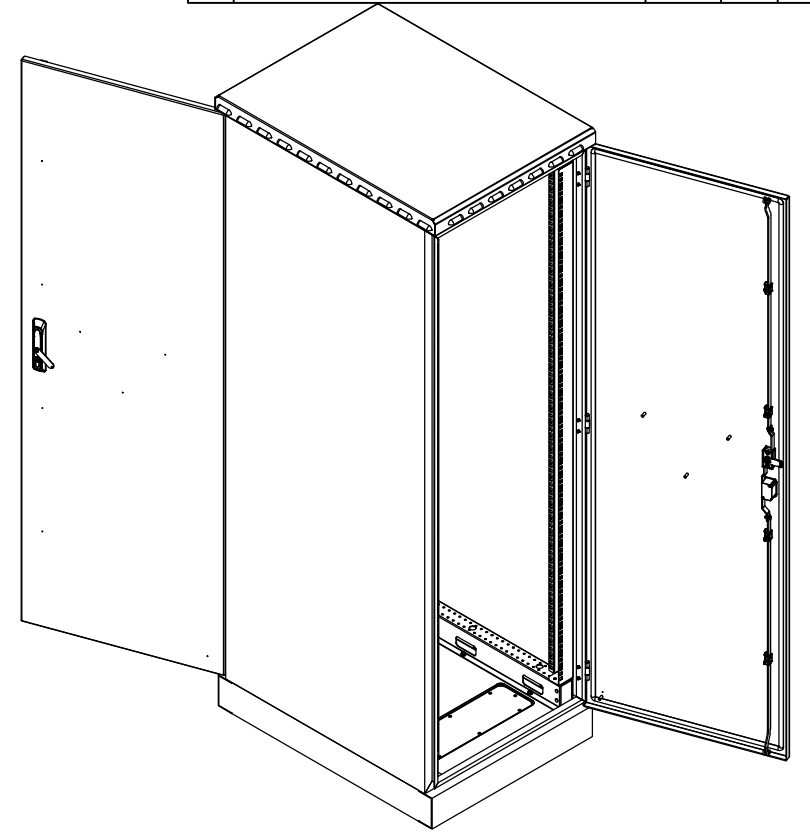
FRONT VIEW



SIDE VIEW



SECTION A-A



SECTION CC

MATERIAL
 BODY: 1.5mm GALVANISED STEEL SHEET
 DOOR: 1.5mm GALVANISED STEEL SHEET
 SEAL: POLYURETHANE
 SURFACE TREATMENT: POWDER-COAT 80-120micron

PROTECTION: IP55 IK10, NEMA4
STANDARD: IEC/EN/AS60529

© IP ENCLOSURES 2018.
 THIS DRAWING SHALL NOT BE COPIED OR REPRODUCED
 WITHOUT AUTHORISATION FROM IP ENCLOSURES.
 www.ipenclosures.com.au

Itemref	Quantity	Title/Name, designation, material, dimension etc	Article No./Reference
Designed by IP	Checked by IP	Approved by - date 30/07/21	Filename IP-SD1976080
		Date 30/07/21	Scale 1:10
			36RU 1970x600x800 IP55 19" DATA RACK IP-SD1976080
Edition 1			Sheet 1/1