

# IP55 Heavy Duty 19" Racks IP-SD19760100

STEEL | FRONT & REAR DOOR | IP55

19" 36RU - 1970H x 600W x 1000D

IP Enclosures range of Heavy Duty IP55 19" Data Racks are designed for heavy duty outdoor applications to house sensitive data network equipment in harsh environments. They are suitable for internal and external installations. Heavy Duty Data Racks are constructed to withstand heavy loads associated with heavy equipment such as battery storage. Front and rear access doors are also provided.

**Protection:** Complies with IP55 IK10, NEMA 4

**Standard:** IEC/EN/AS60529  

**Rack Unit Size:** 36RU

**Material:**

- Enclosure Body: 1.5mm galvanised steel sheet
- Enclosure Doors: 1.5mm galvanised steel sheet
- 19" Data Rack Rails: 1.5mm galvanised steel sheet
- Enclosure Seal: Polyurethane

**Body:** The robust monoblock body is 1.5mm galvanised steel sheet. Precision automated manufacturing equipment ensures accuracy and consistent high quality. Flat face sealing surfaces increase seal life. A galvanised steel gland plate is also incorporated into the bottom face. The enclosure body and rails have been constructed to withstand heavy loads associated with heavy equipment such as heavy battery storage.

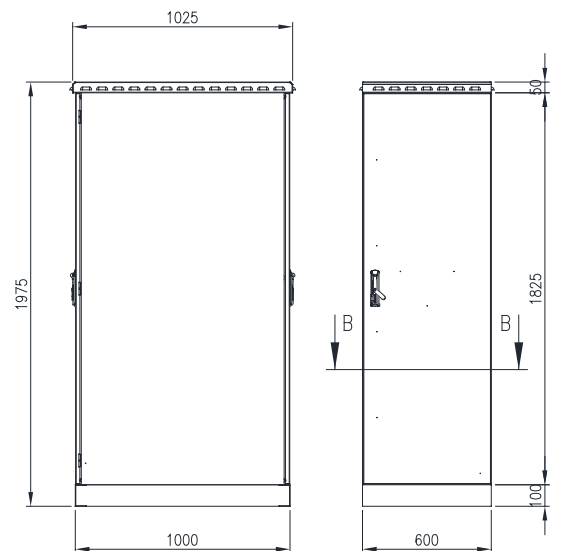
**Doors:** The front and rear surface mounted doors are 1.5mm galvanised steel sheet. They incorporate concealed removable hinges with captive pins. Doors are also designed for a 110° opening. Each door contains integral cable management rail studs and an M6 earth stud. The cable management rails are removable to provide more space for control components.

**Door Seal:** A high quality full perimeter seal provides excellent sealing over a long life. It is machine applied Polyurethane foamed in place (FIP).

**Lock:** 3 point locking system with key-lock swing handle. A full range of locking solutions are available upon request.

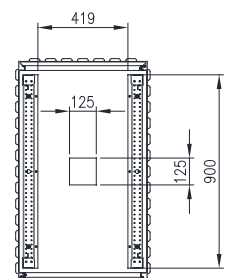
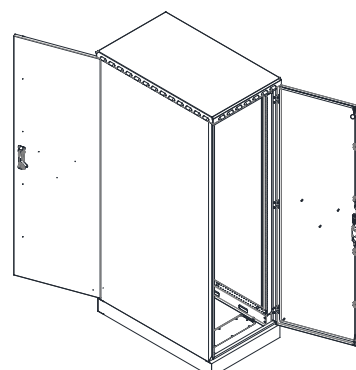
**Gland Plate:** Gland plates are incorporated into the bottom face of the enclosure for cable management. They are provided with gaskets and fasteners.

**Surface Treatment:** UL approved epoxy polyester powder-coated with a textured finish. 80-120 micron average thickness. Standard Colour: RAL7035. *Other colours available upon request.*



LEFT SIDE VIEW

FRONT VIEW



SECTION B-B

