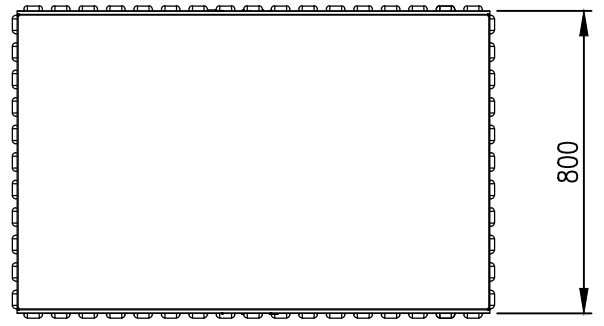
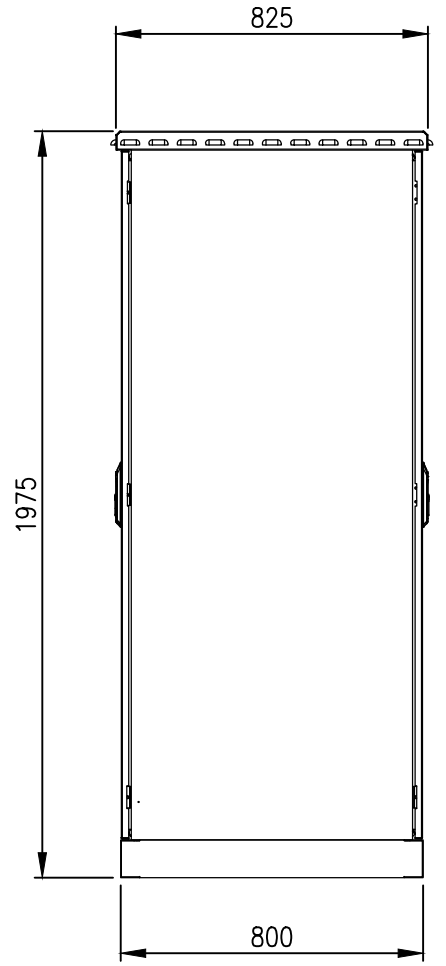


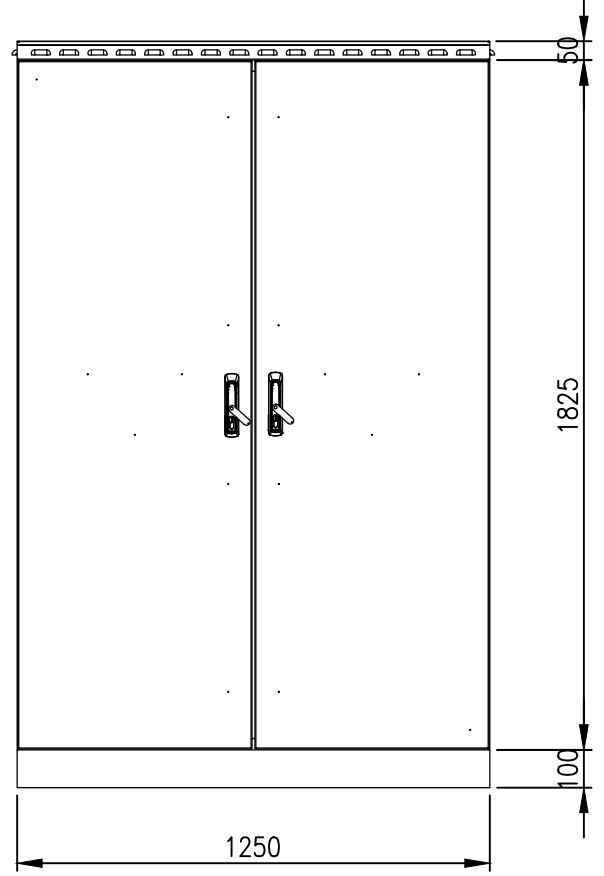
RevNo	Revision note	Date	Signature	Checked
0	GENERAL REVISION		IP	IP



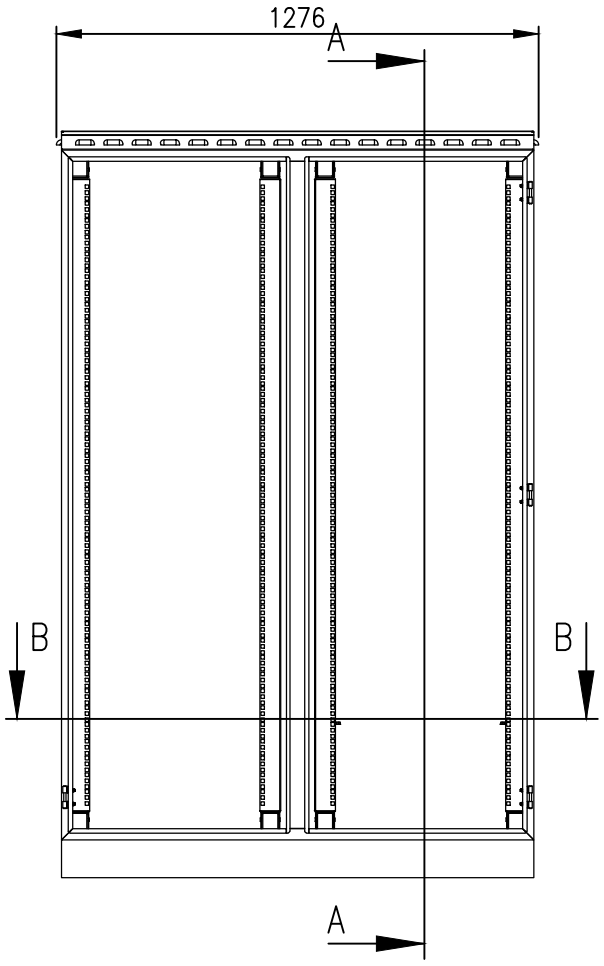
TOP VIEW



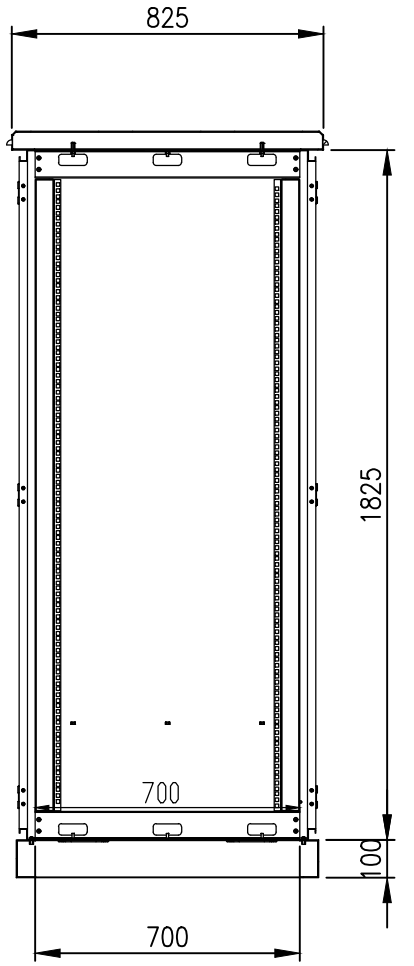
LEFT SIDE VIEW



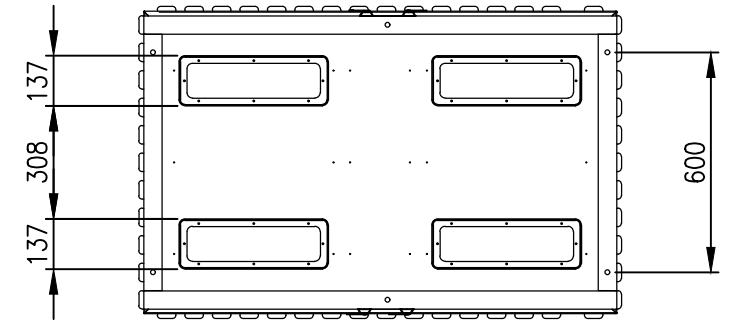
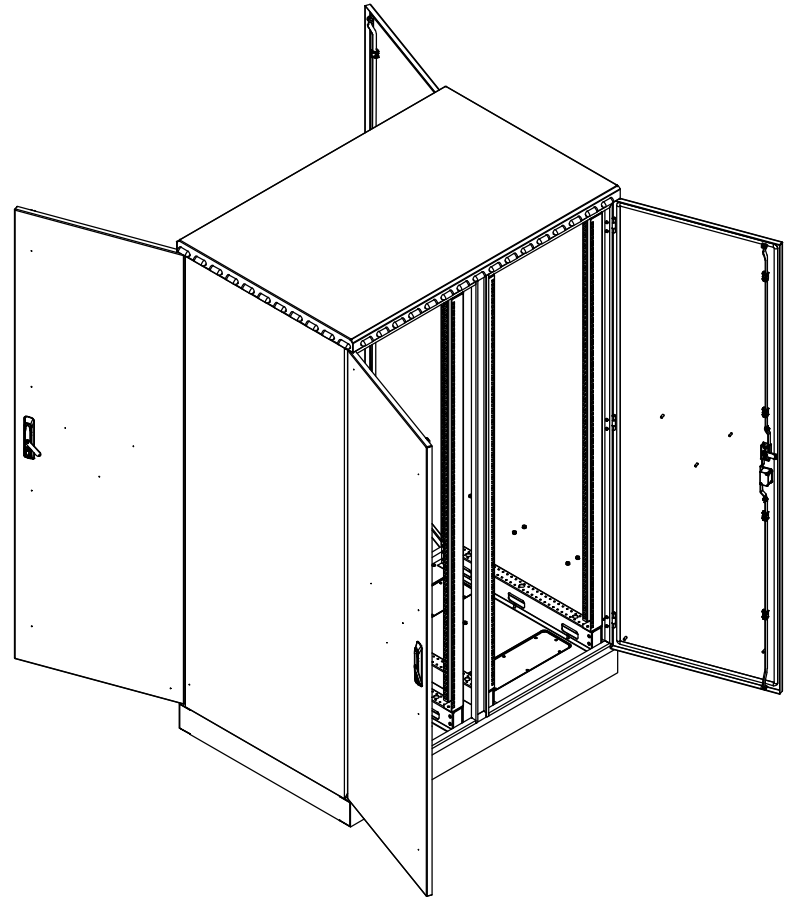
FRONT VIEW



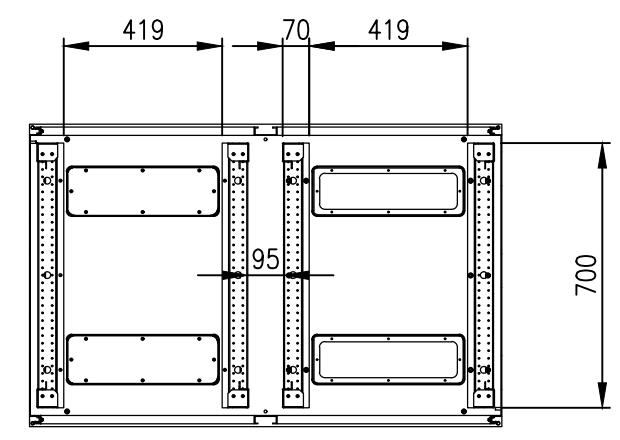
INTERIOR VIEW-DOOR REMOVED



SECTION A-A



BOTTOM VIEW



SECTION B-B

MATERIAL
 BODY: 1.5mm GALVANISED STEEL SHEET
 DOOR: 1.5mm GALVANISED STEEL SHEET
 SEAL: POLYURETHANE
 SURFACE TREATMENT: POWDER-COAT 80-120micron

PROTECTION: IP55 IK10, NEMA4
STANDARD: IEC/EN/AS60529

© IP ENCLOSURES 2022.
 THIS DRAWING SHALL NOT BE COPIED OR REPRODUCED
 WITHOUT AUTHORISATION FROM IP ENCLOSURES.
 www.ipenclosures.com.au

Itemref	Quantity	Title/Name, designation, material, dimension etc	Article No./Reference
Designed by IP	Checked by IP	Approved by - date 22/07/22	Filename IP-SD19712580 Date 22/07/22 Scale 1:20
		37RU 1975x1250x800 IP55 19" DATA RACK IP-SD19712580 Edition 0 Sheet 1/1	