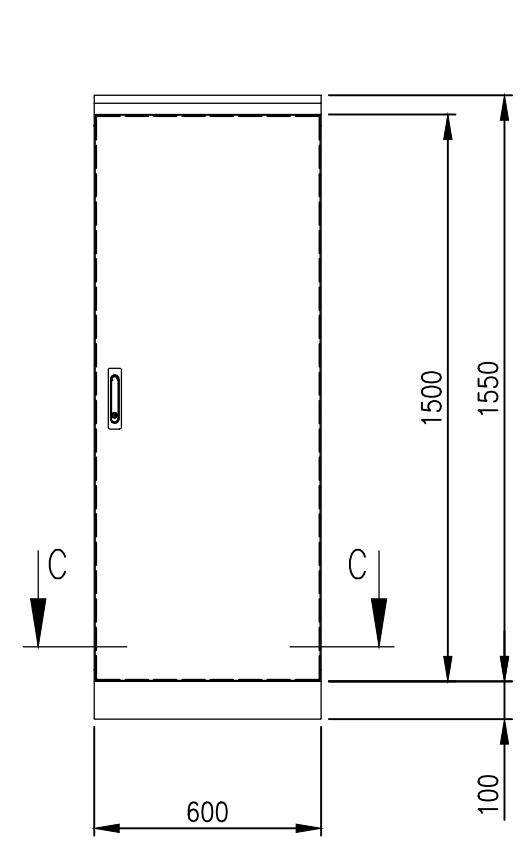
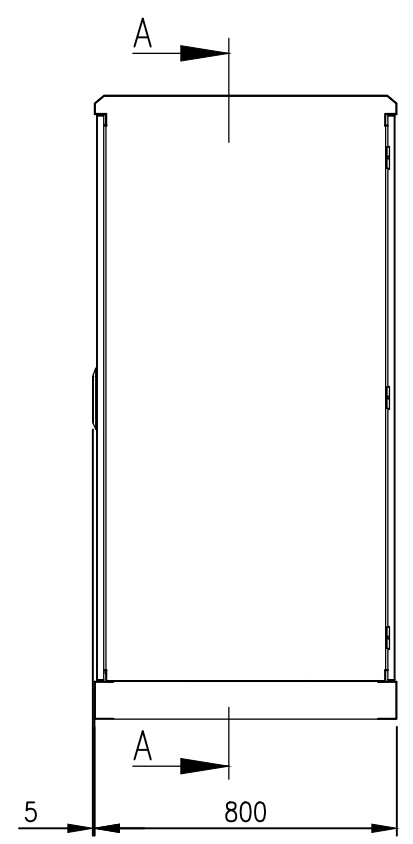


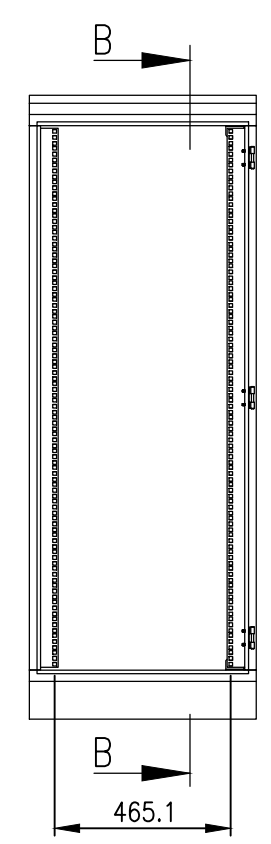
RevNo	Revision note	Date	Signature	Checked
	GENERAL REVISION		IP	IP



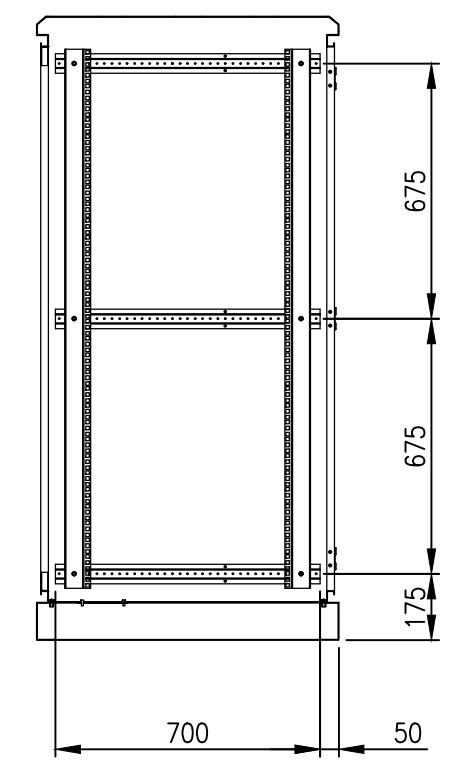
FRONT VIEW



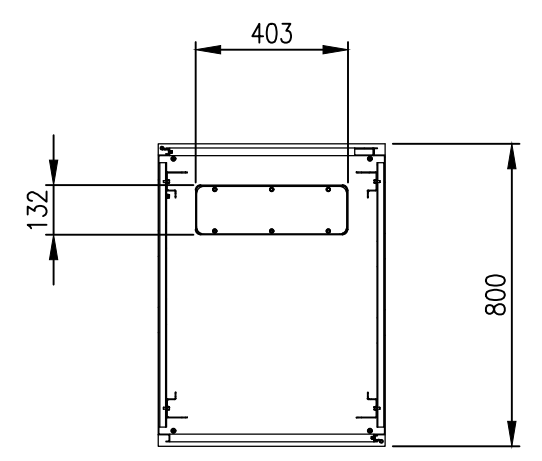
SIDE VIEW



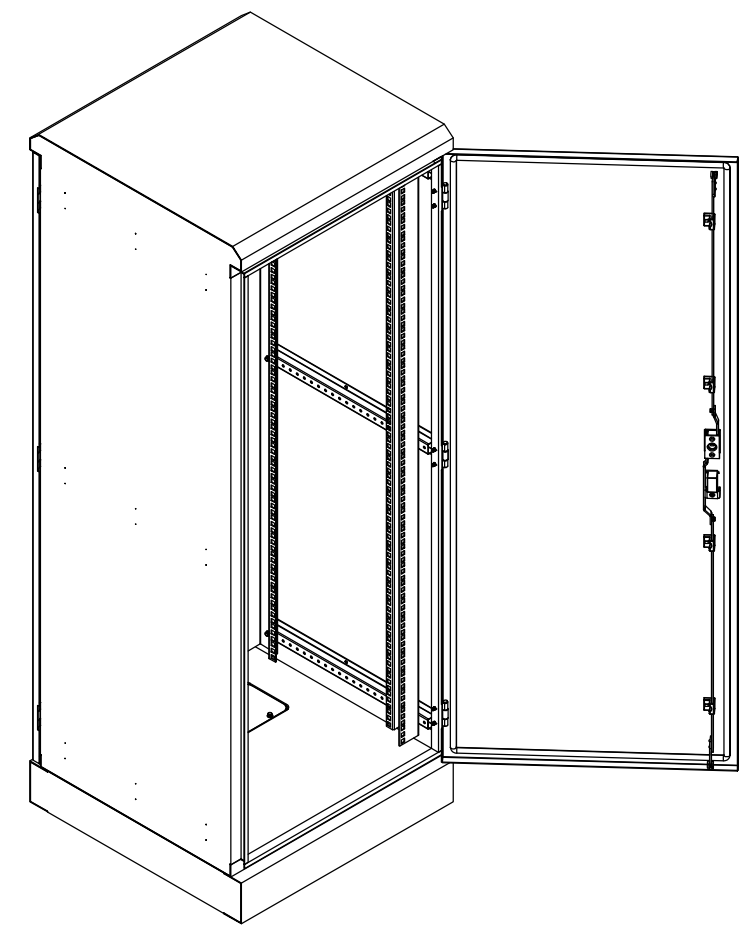
SECTION A-A



SECTION B-B



SECTION C-C



MATERIAL
 BODY: 1.5mm GALVANISED STEEL SHEET
 DOOR: 1.5mm GALVANISED STEEL SHEET
 SEAL: POLYURETHANE
 SURFACE TREATMENT: POWDER-COAT 80-120micron

PROTECTION: IP66 IK10, NEMA4
STANDARD: IEC/EN/AS60529

© IP ENCLOSURES 2022.
 THIS DRAWING SHALL NOT BE COPIED OR REPRODUCED WITHOUT
 AUTHORISATION FROM IP ENCLOSURES.
 www.ipenclosures.com.au

Itemref	Quantity	Title/Name, designation, material, dimension etc	Article No./Reference
Designed by IP	Checked by IP	Approved by - date 08/08/22	Filename IP-SD1606080
		Date 04/08/22	Scale 1:20
			32RU 1600x600x800 IP66 19" DATA RACK
			Edition 0
			Sheet 1/1