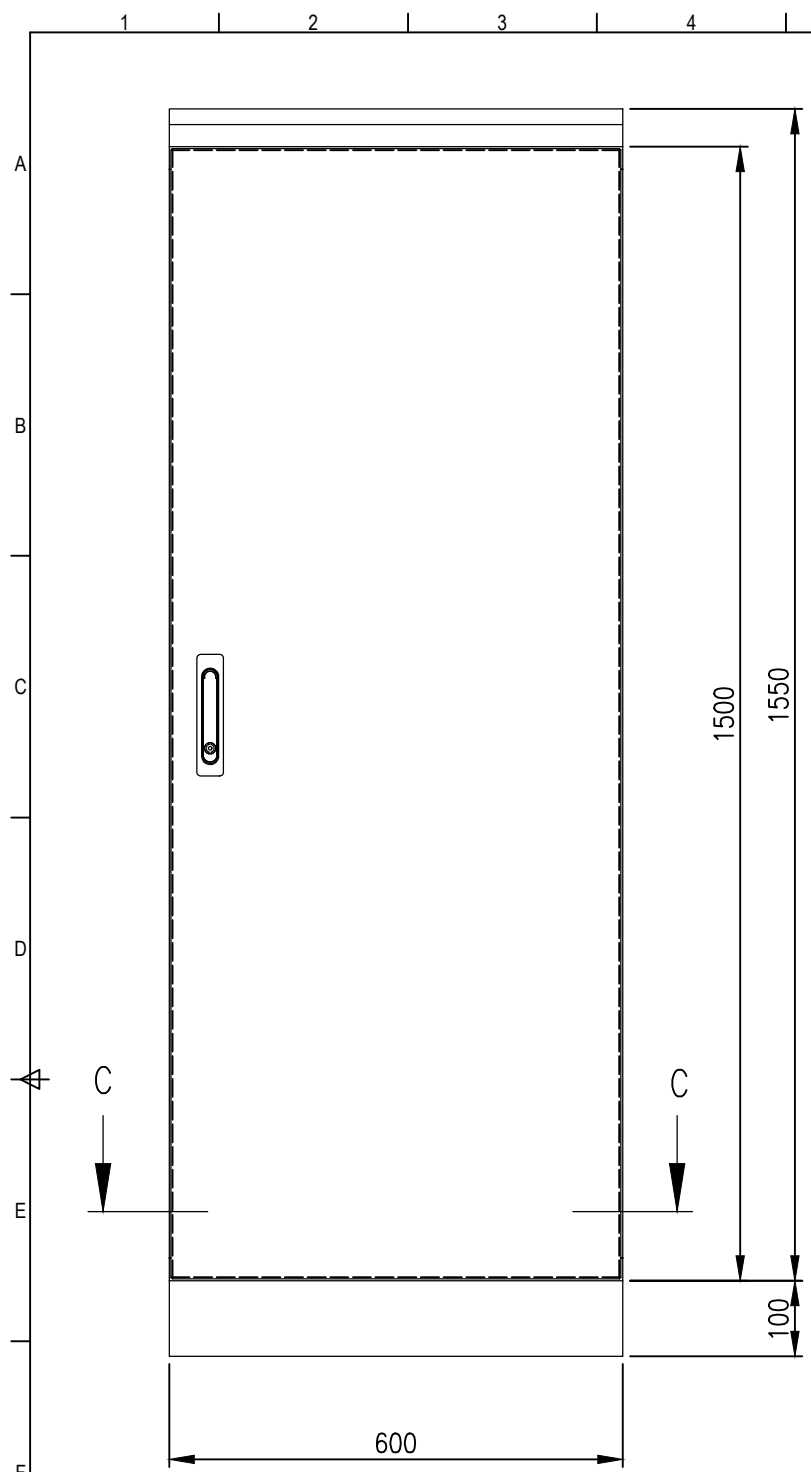
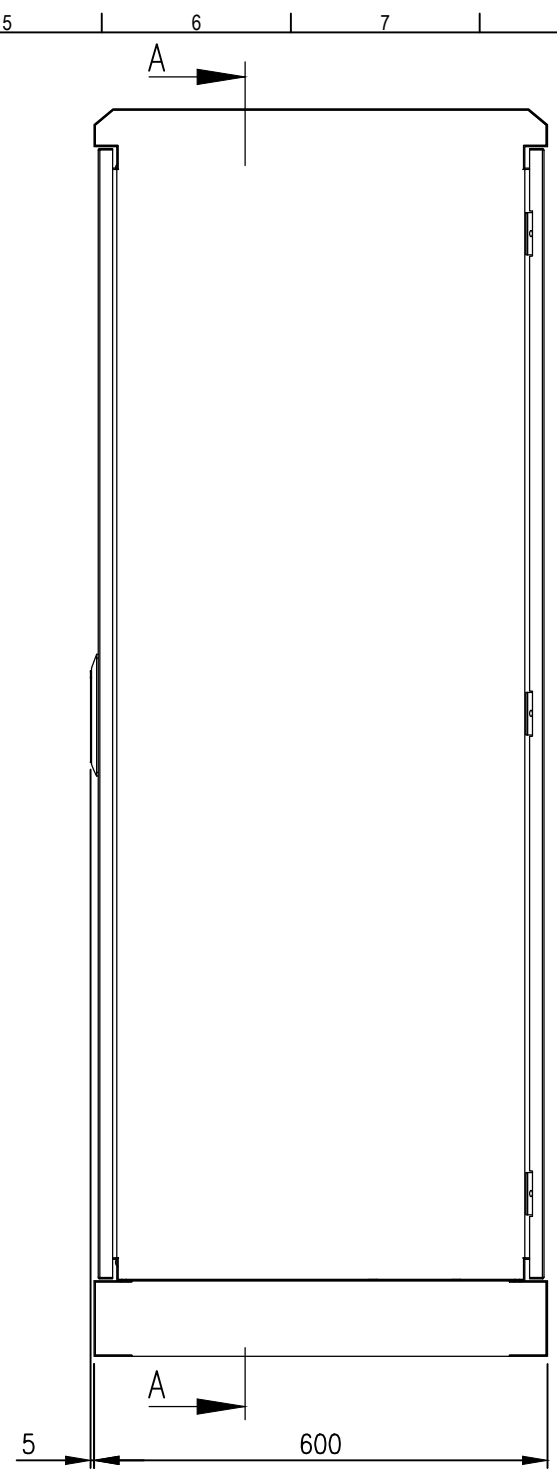


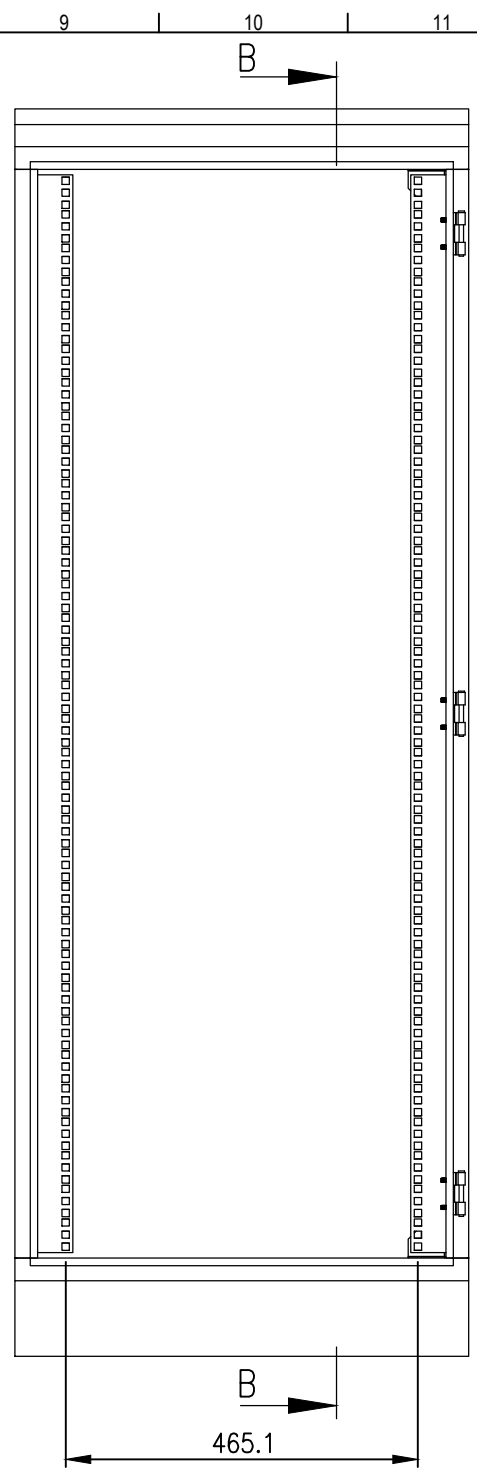
RevNo	Revision note	Date	Signature	Checked
2	GENERAL REVISION	24/03/23	IP	IP



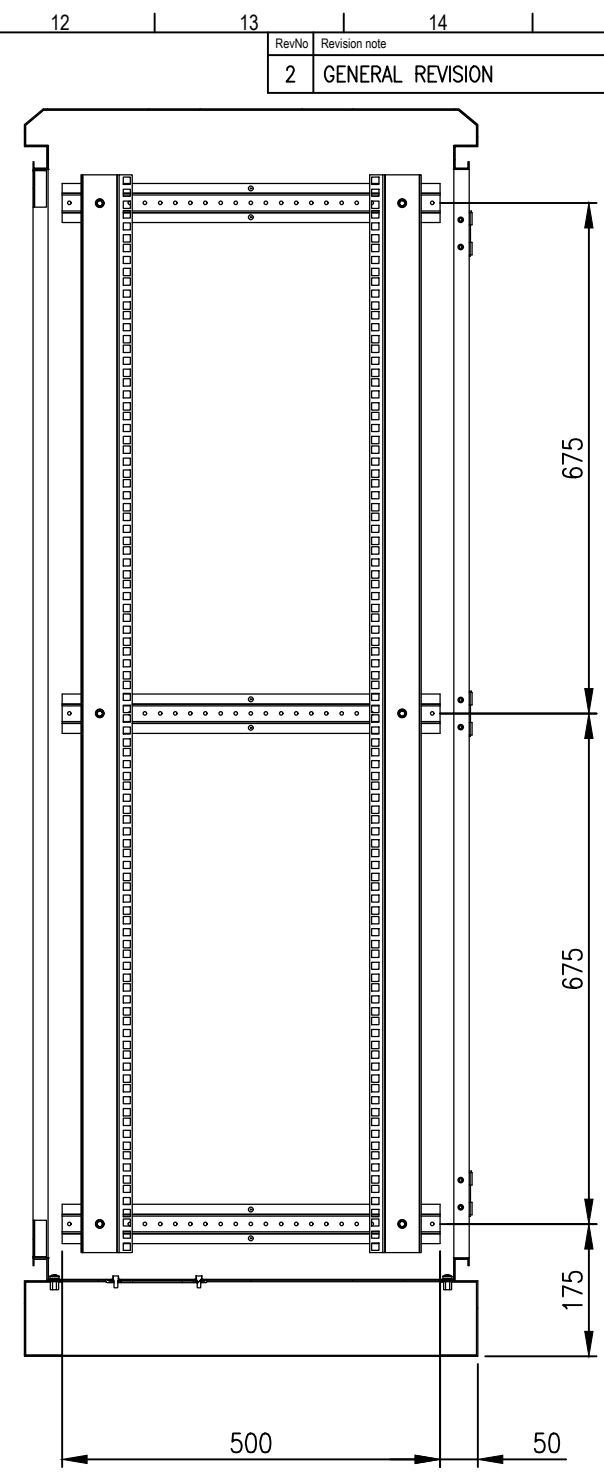
FRONT VIEW



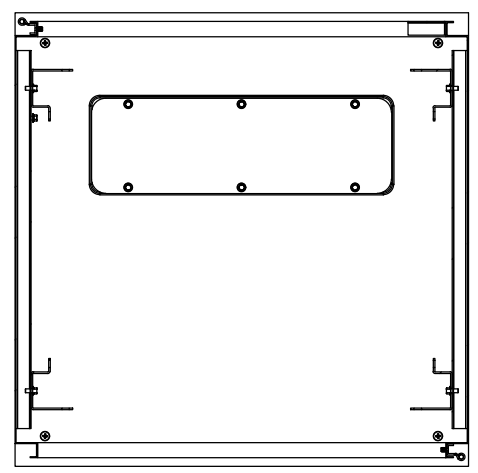
SIDE VIEW



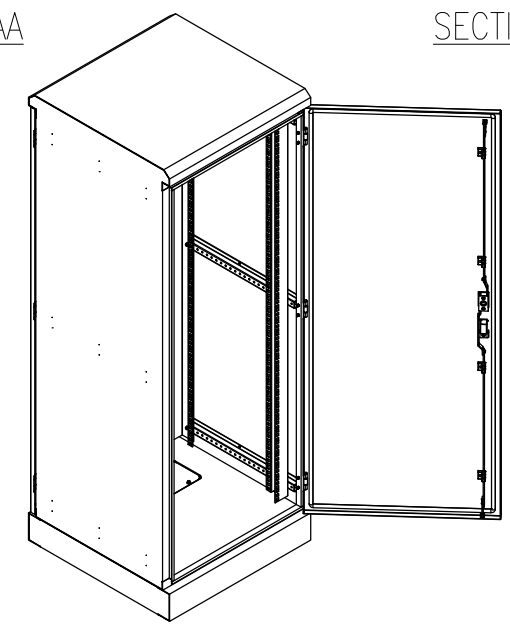
SECTION AA



SECTION BB



SECTION CC



MATERIAL
 BODY: 1.5mm GALVANISED STEEL SHEET
 DOOR: 1.5mm GALVANISED STEEL SHEET
 SEAL: POLYURETHANE
 SURFACE TREATMENT: POWDER-COAT 80-120micron

PROTECTION: IP66 IK10, NEMA4
STANDARD: IEC/EN/AS60529

© IP ENCLOSURES 2018.
 THIS DRAWING SHALL NOT BE COPIED OR REPRODUCED
 WITHOUT AUTHORISATION FROM IP ENCLOSURES.
 www.ipenclosures.com.au

Itemref	Quantity	Title/Name, designation, material, dimension etc	Article No./Reference
Designed by IP	Checked by IP	Approved by - date 02/07/18	Filename IP-SD1606060
Date 02/07/18		Scale 1:10	Article No./Reference 32RU 1600x600x600 IP66 19" DATA RACK
Edition 2		Sheet 1/1	IP-SD1606060