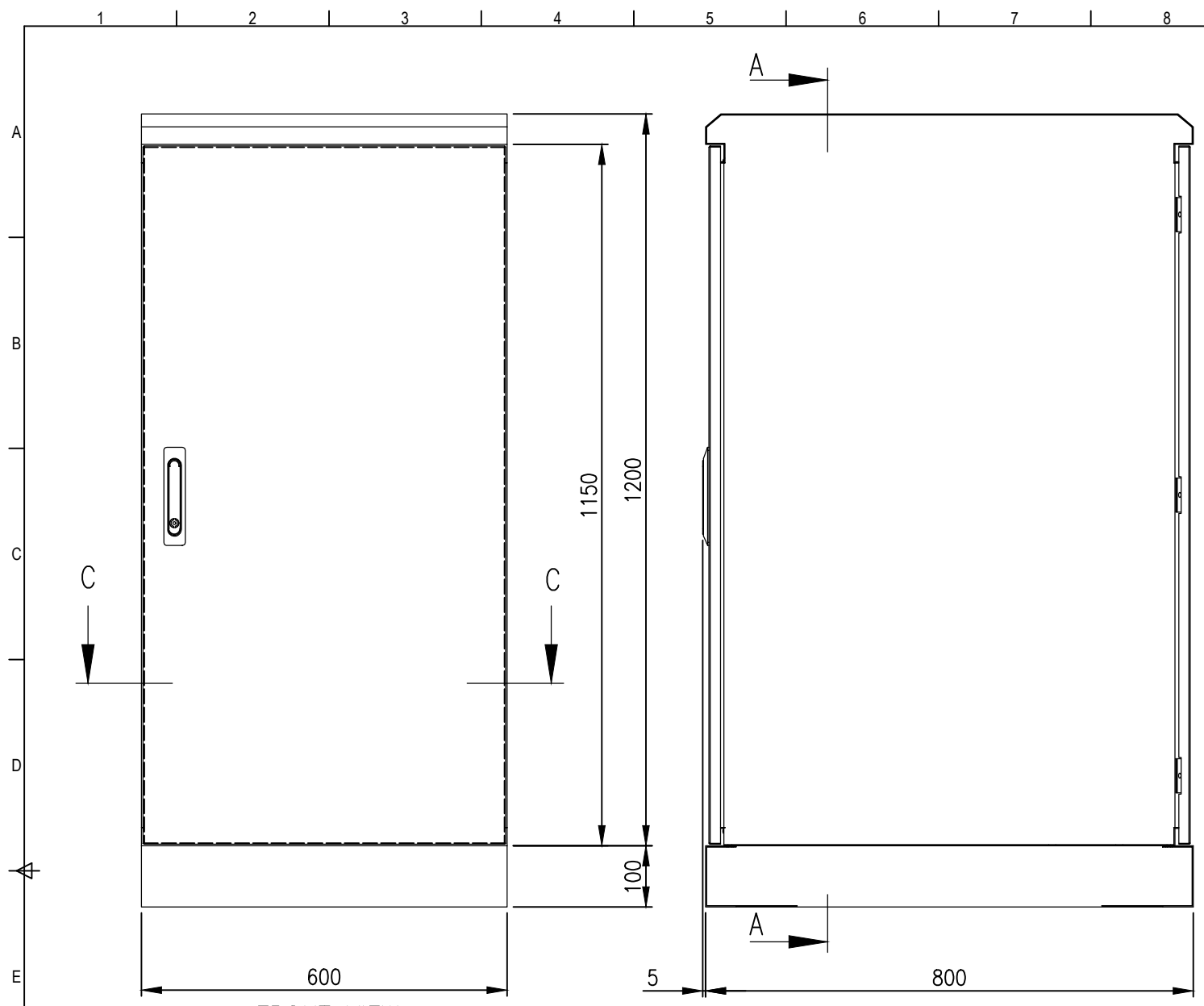
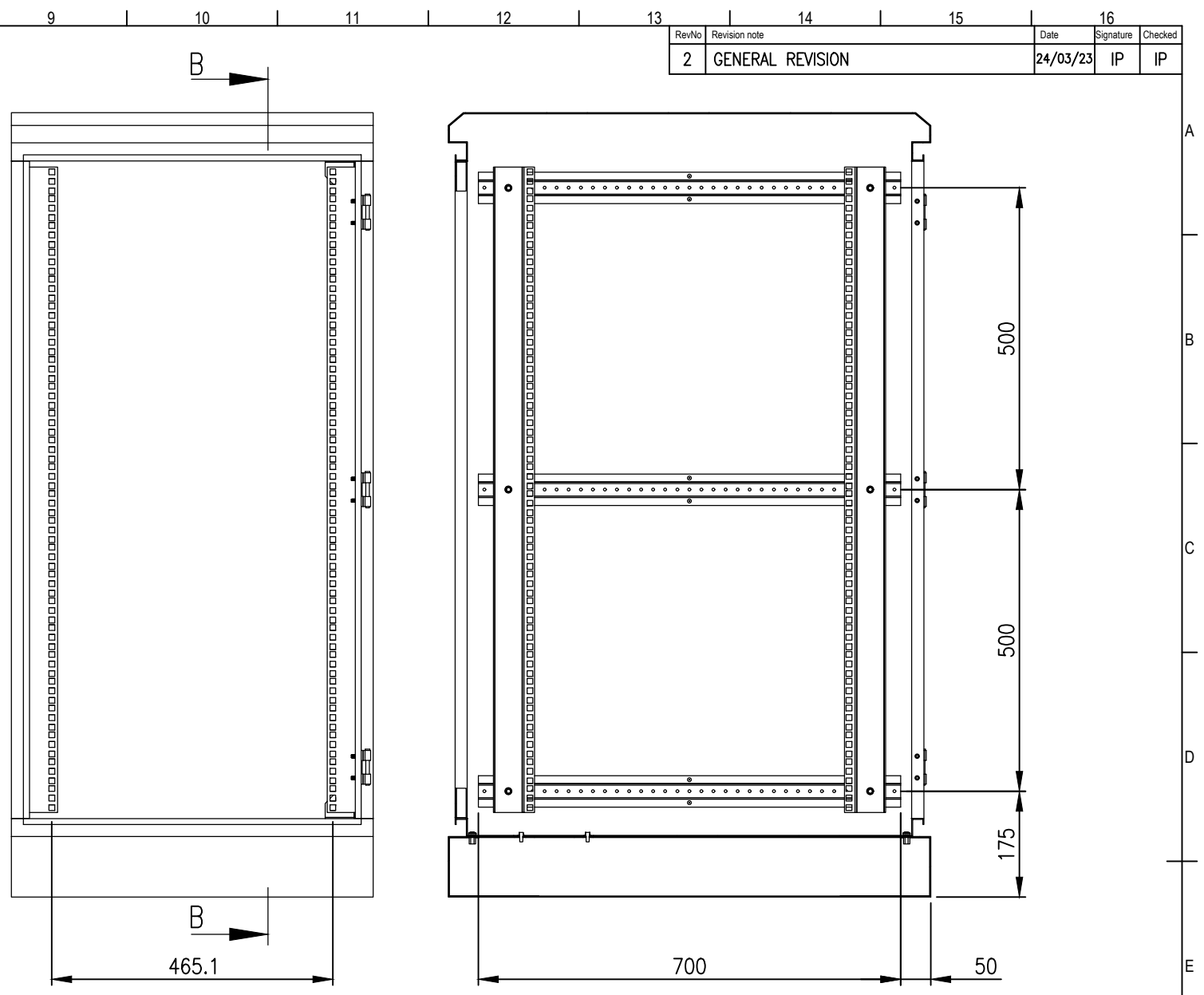


RevNo	Revision note	Date	Signature	Checked
2	GENERAL REVISION	24/03/23	IP	IP



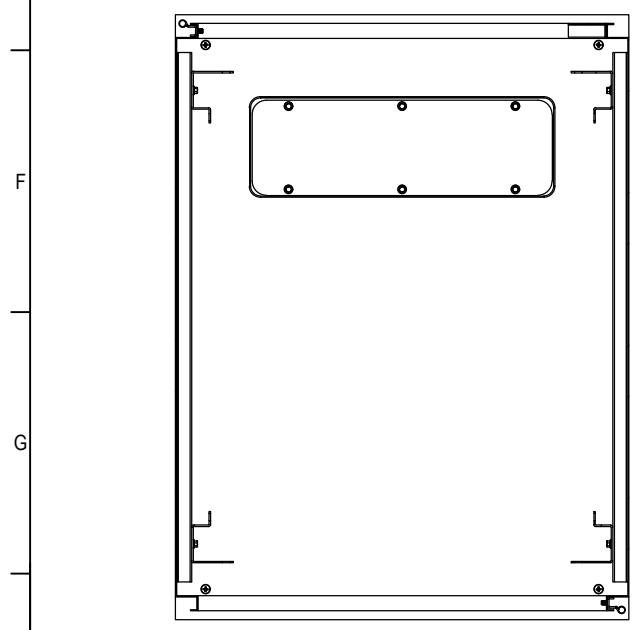
FRONT VIEW

SIDE VIEW

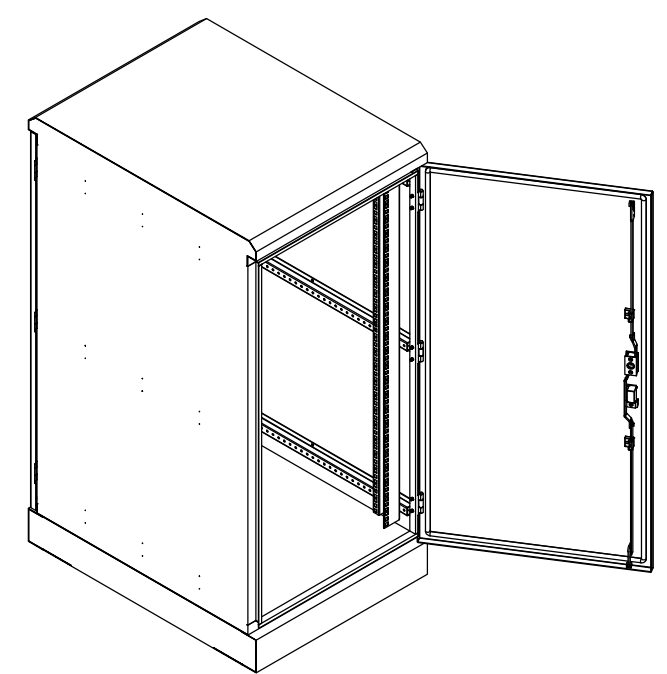


SECTION AA

SECTION BB



SECTION CC



**MATERIAL**  
 BODY: 1.5mm GALVANISED STEEL SHEET  
 DOOR: 1.5mm GALVANISED STEEL SHEET  
 SEAL: POLYURETHANE  
 SURFACE TREATMENT: POWDER-COAT 80-120micron

**PROTECTION: IP66 IK10, NEMA4**  
**STANDARD: IEC/EN/AS60529**

© IP ENCLOSURES 2018.  
 THIS DRAWING SHALL NOT BE COPIED OR REPRODUCED  
 WITHOUT AUTHORISATION FROM IP ENCLOSURES.  
 www.ipenclosures.com.au

Itemref	Quantity	Title/Name, designation, material, dimension etc	Article No./Reference
IP	1	16RU 1200x600x800 IP66 19" DATA RACK	IP-SD1206080
Designed by	Checked by	Approved by - date	Filename
IP	IP	02/07/18	IP-SD1206080
Date	Scale	Edition	
02/07/18	1:10	2	
Sheet			1/1



16RU 1200x600x800 IP66 19" DATA RACK  
 IP-SD1206080