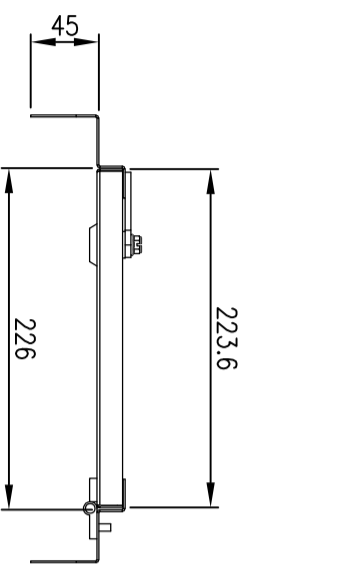
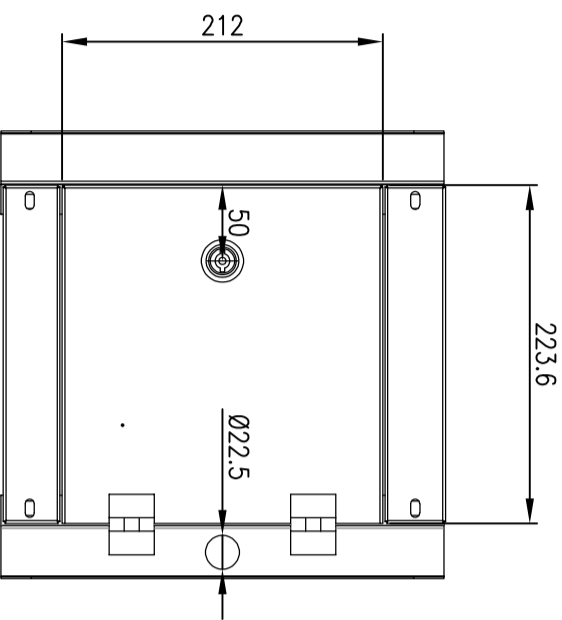


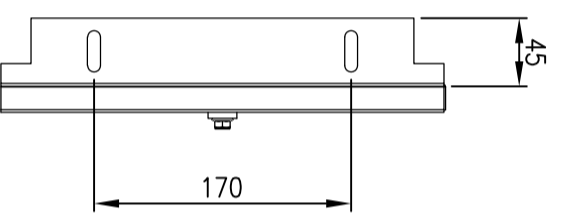
RevNo	Revision no	Date	Signature	Checked
0	GENERAL REVISION		IP	IP



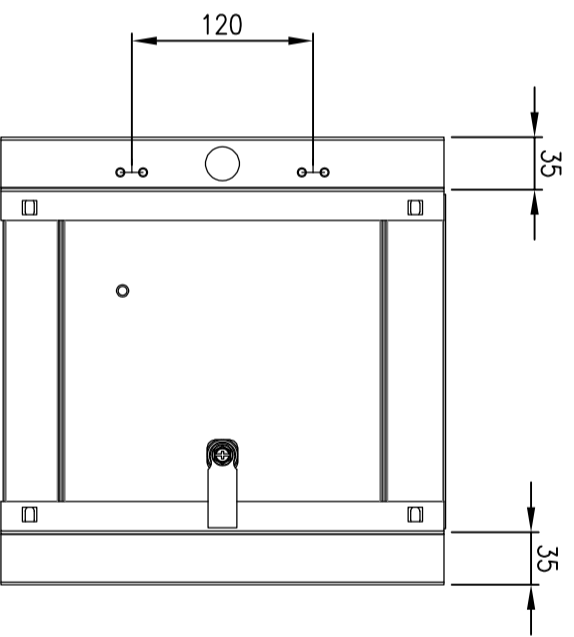
TOP VIEW



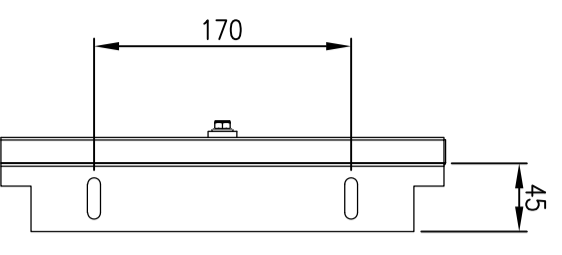
FRONT VIEW



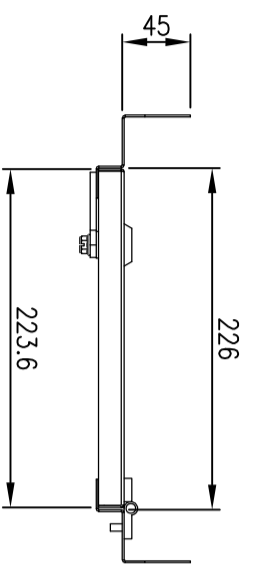
RIGHT SIDE
VERTICAL FRAME



REAR VIEW



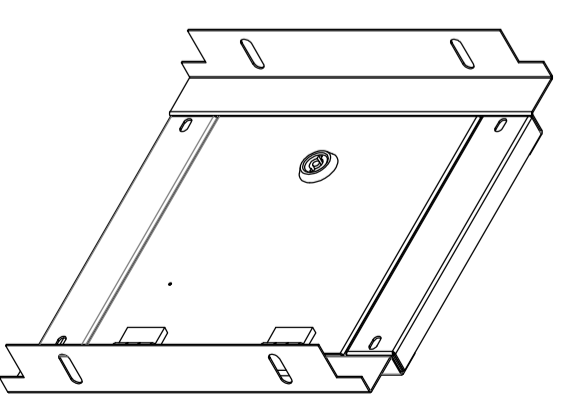
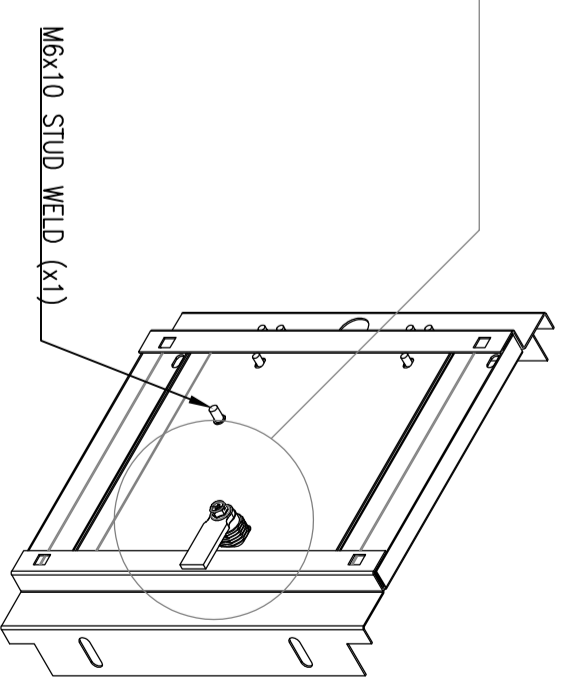
LEFT SIDE
VERTICAL FRAME



BOTTOM VIEW



LOCKSET
SPOT DETAIL



MATERIAL
 FRAME: 1.2mm GALVANISED STEEL
 DOOR PANEL: 1.2mm GALVANISED STEEL

CLEARANCE/DISTANCE DIMENSIONS:
 -INNER DOOR TO OUTER DOOR: 68.3mm
 -INNER DOOR TO MOUNTING PLATE:
 -(ENCLOSURE WITH 150 DEPTH): 67.8mm
 -(ENCLOSURE WITH 200 DEPTH): 117.8mm

© IP ENCLOSURES 2022.
 THIS DRAWING SHALL NOT BE COPIED OR REPRODUCED
 WITHOUT AUTHORISATION FROM IP ENCLOSURES.
 www.ipenclosures.com.au

Item	Quantity	Title/Name, designation, material, dimension etc.	Article No./Reference
IP Enclosures			
Designed by	IP	Checked by	IP
Approved by	IP	Approved by - date	30/06/22
Filename	P-300H	Date	30/06/22
Scale	1:5		
300H,300W STEEL INNER DOOR			
IP-PS103030		Edition	0
		Sheet	1/1