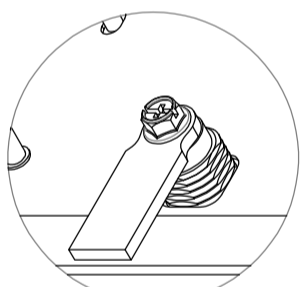
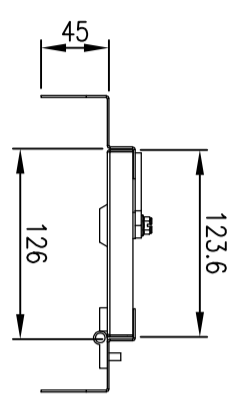


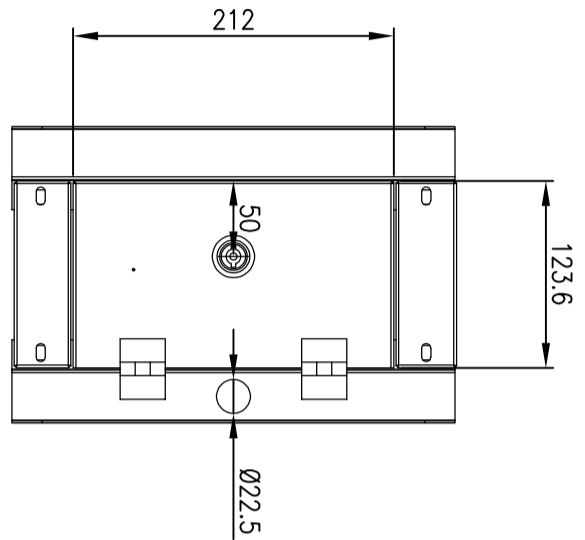
Revno	Revision no	Date	Signature	Checked
0	GENERAL REVISION		IP	IP



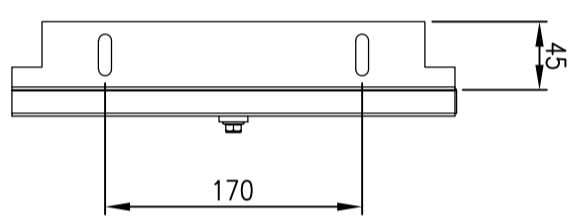
LOCKSET
SPOT DETAIL



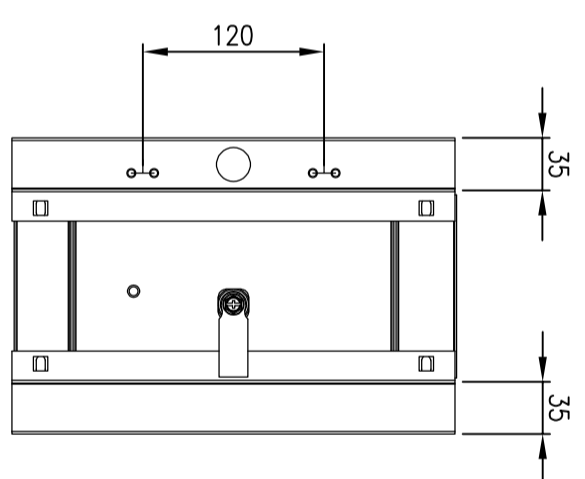
TOP VIEW



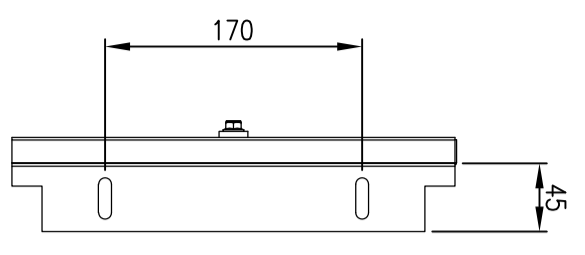
FRONT VIEW



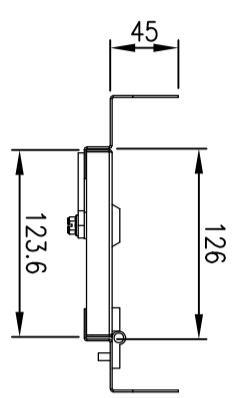
RIGHT SIDE
VERTICAL FRAME



REAR VIEW

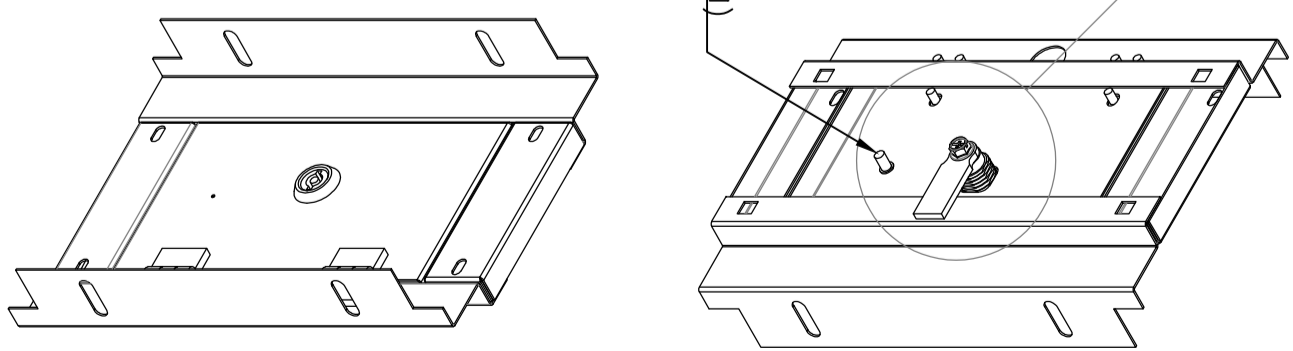


LEFT SIDE
VERTICAL FRAME



BOTTOM VIEW

M6x10 STUD WELD (x1)



MATERIAL
 FRAME: 1.2mm GALVANISED STEEL
 DOOR PANEL: 1.2mm GALVANISED STEEL

CLEARANCE/DISTANCE DIMENSIONS:
 -INNER DOOR TO OUTER DOOR: 68.3mm
 -INNER DOOR TO MOUNTING PLATE: 67.8mm

© IP ENCLOSURES 2022.
 THIS DRAWING SHALL NOT BE COPIED OR REPRODUCED
 WITHOUT AUTHORISATION FROM IP ENCLOSURES.
 www.ipenclosures.com.au

Item	Quantity	Title/Name, designation, material, dimension etc.	Article No./Reference
Designed by	IP	Checked by	IP
Approved by - date	30/06/22	Final name	P-3000
Date	30/06/22	Scale	1:5
300HX200W STEEL INNER DOOR		Edition	1/1
IP-PS103020		Sheet	0

