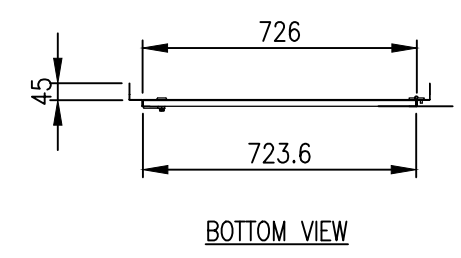
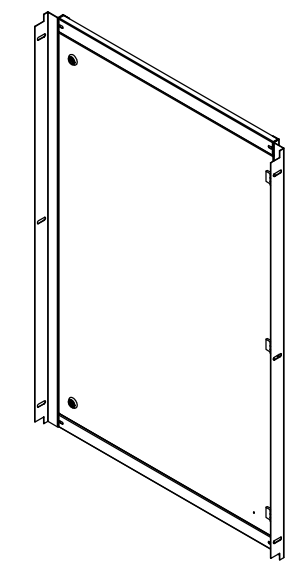
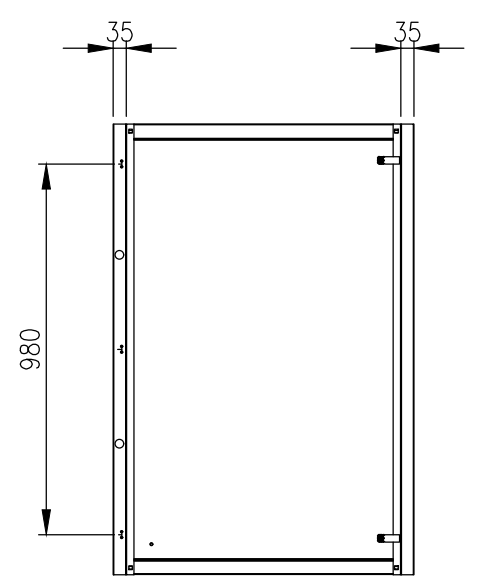
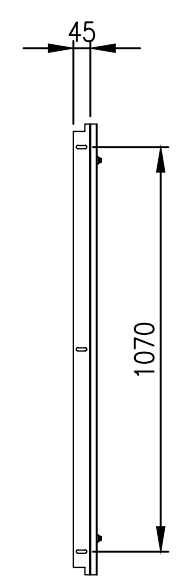
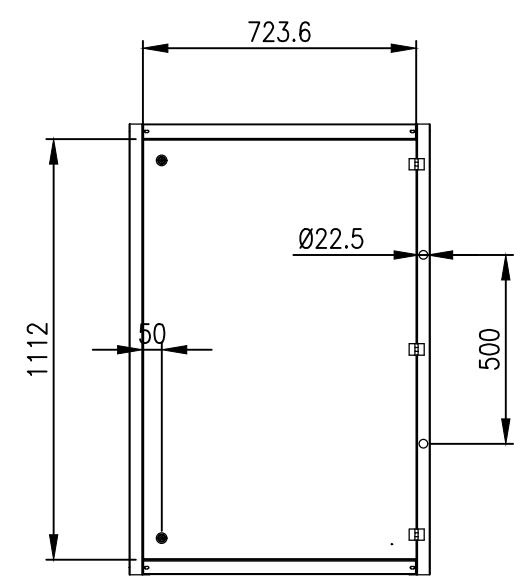
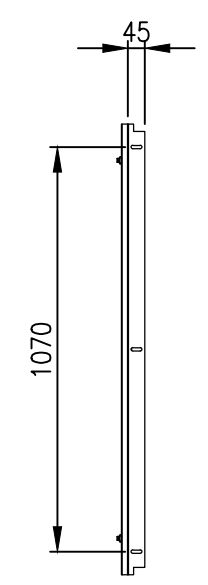
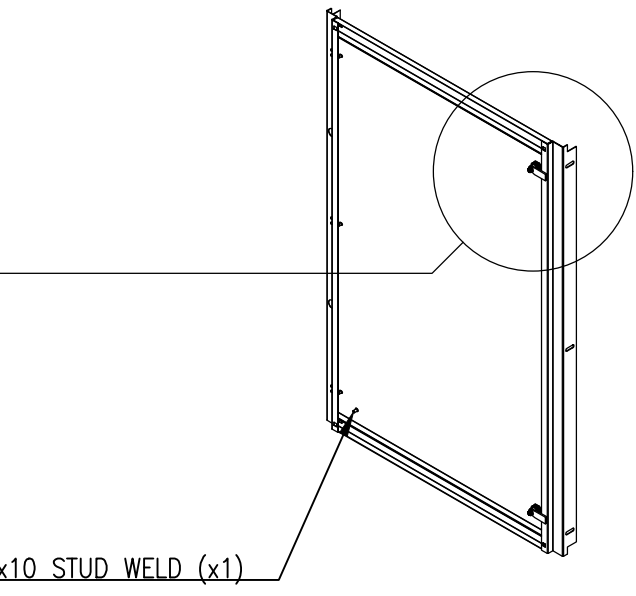
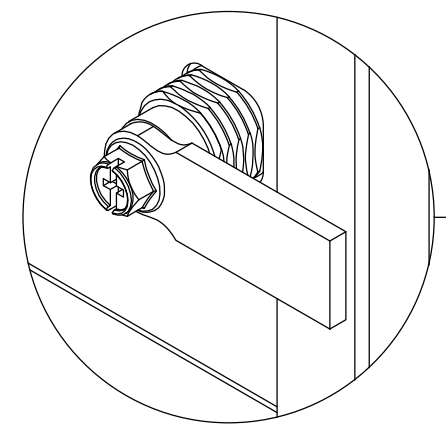
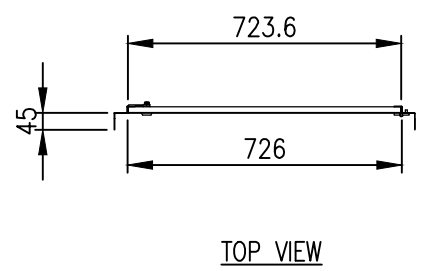


RevNo	Revision note	Date	Signature	Checked
0	GENERAL REVISION		IP	IP



MATERIAL
 FRAME: 1.2mm GALVANISED STEEL
 DOOR PANEL: 1.2mm GALVANISED STEEL

CLEARANCE/DISTANCE DIMENSIONS:
 -INNER DOOR TO OUTER DOOR: 68.3mm
 -INNER DOOR TO MOUNTING PLATE:
 -(ENCLOSURE WITH 300 DEPTH): 217.8mm
 -(ENCLOSURE WITH 400 DEPTH): 317.8mm

© IP ENCLOSURES 2022.
 THIS DRAWING SHALL NOT BE COPIED OR REPRODUCED
 WITHOUT AUTHORISATION FROM IP ENCLOSURES.
 www.ipenclosures.com.au

Itemref	Quantity	Title/Name, designation, material, dimension etc	Article No./Reference
IP	1	1200Hx800W STEEL INNER DOOR	IP-PSID12080
Designed by	Checked by	Approved by - date	Filename
IP	IP	08/07/22	IP-PSID12080
Date	Scale	Edition	
08/07/22	1:20	0	
Sheet			1/1