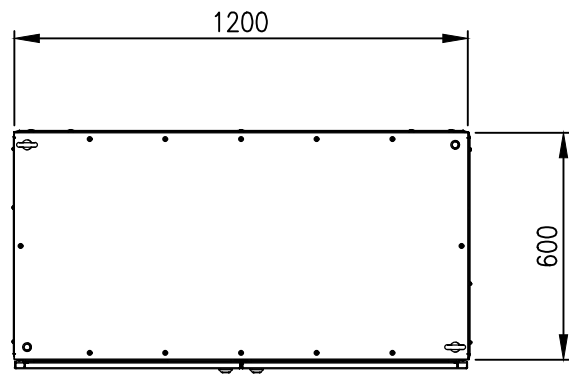
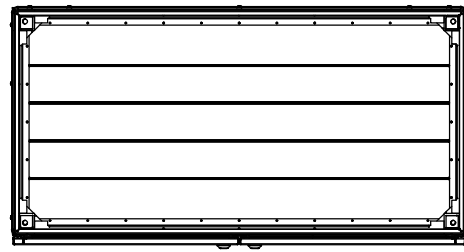


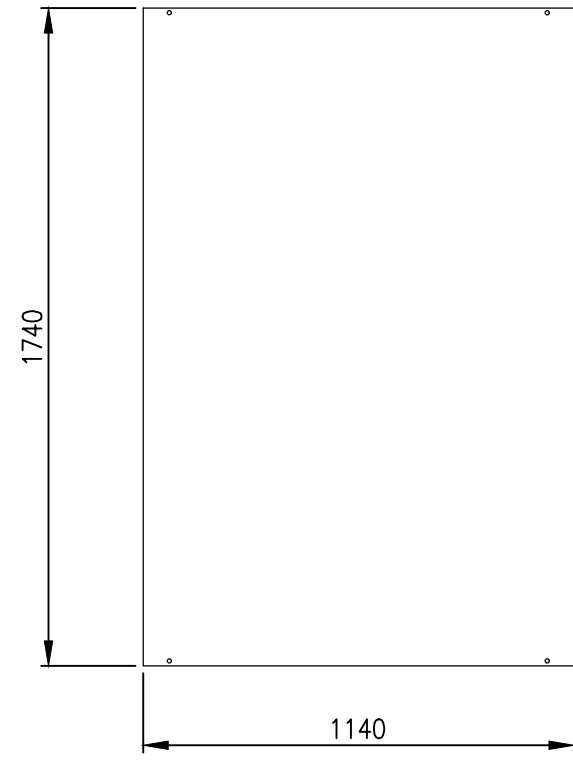
RevNo	Revision note	Date	Signature	Checked
1	GENERAL REVISION	18/10/23	IP	IP



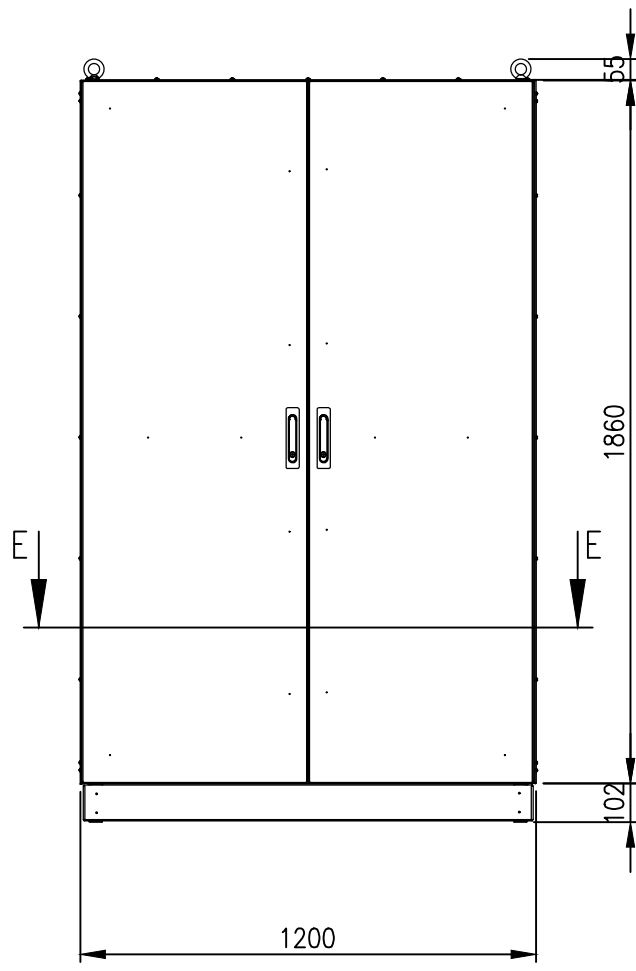
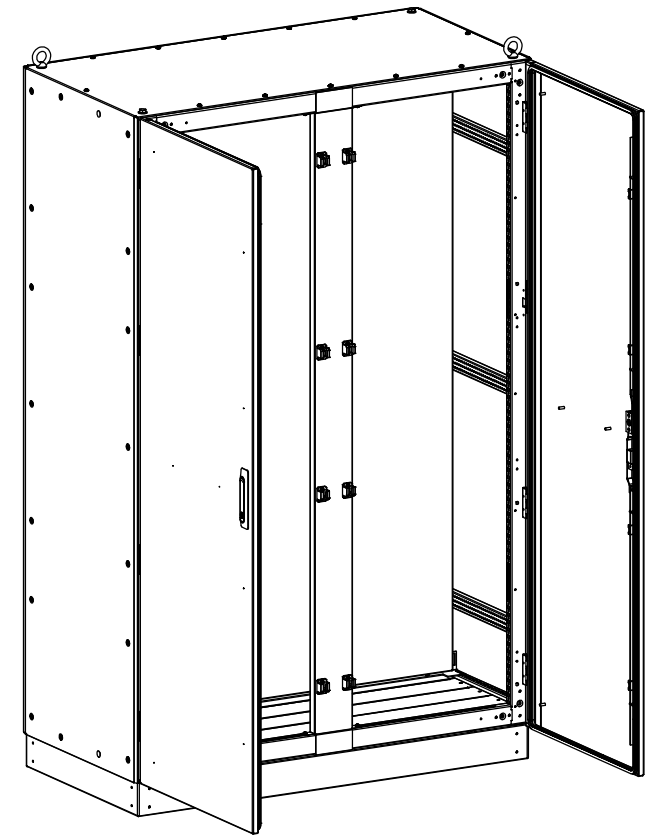
TOP VIEW



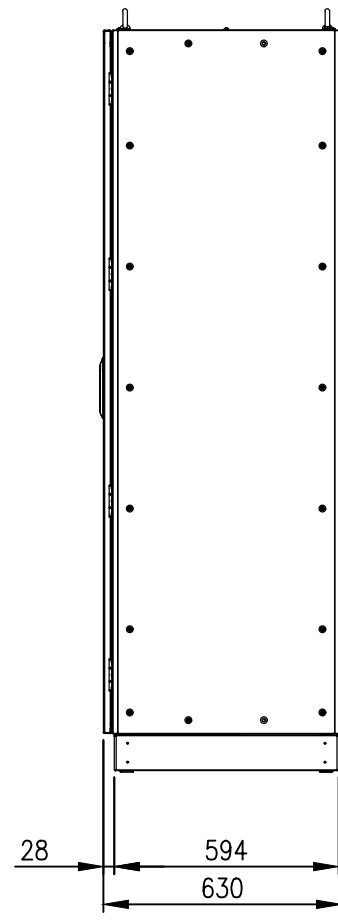
SECTION E-E



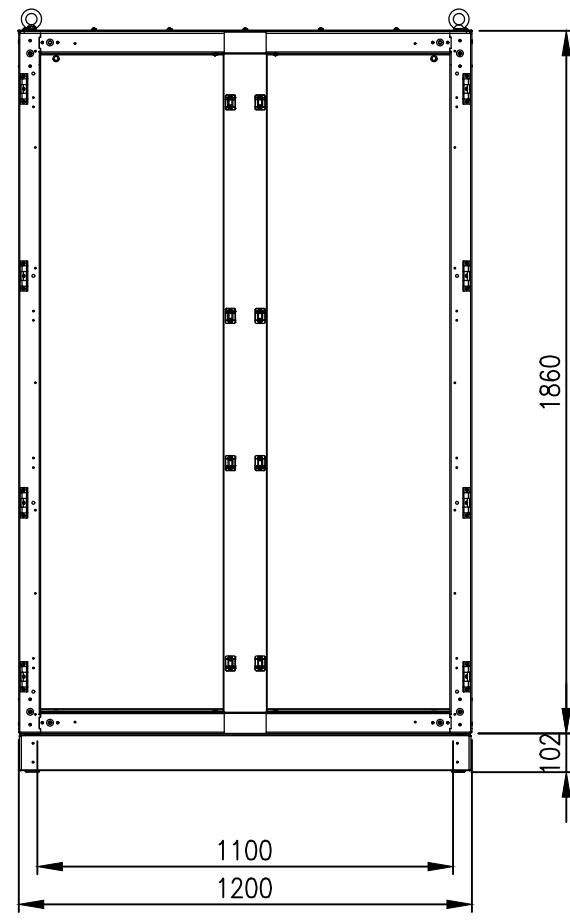
DEVICE MOUNTING PLATE



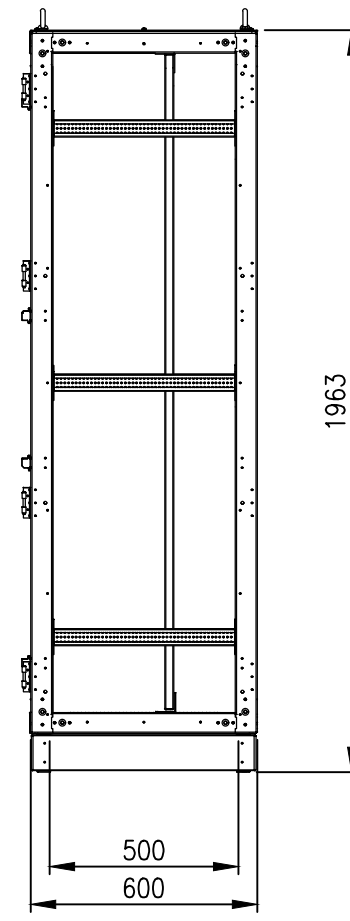
FRONT VIEW
(ASSEMBLY)



SIDE VIEW



FRONT VIEW
(PANELS REMOVED)



SIDE VIEW
(PANELS REMOVED)

MATERIAL
 MAIN FRAME: 2.0mm 316 STAINLESS STEEL PROFILE
 PANELS: 1.2mm 316 STAINLESS STEEL
 DOOR: 2.0mm 316 STAINLESS STEEL
 MOUNTING PLATE: 2.0mm GALVANIZED STEEL SHEET
 SEAL: EPDM

PROTECTION: IP55 IK10
 STANDARD: IEC62208, IEC/EN/AS60529
 ORDERING INFORMATION:
 - ENCLOSURE: IP-MFSS18612060
 - SIDE PANEL: IP-MFSSP18660
 - MOUNTING PLATE: IP-MFSM186120
 - BASE: IP-MFSSB12060

© IP ENCLOSURES 2022.
 THIS DRAWING SHALL NOT BE COPIED OR REPRODUCED
 WITHOUT AUTHORISATION FROM IP ENCLOSURES.
 www.ipenclosures.com.au

Itemref	Quantity	Title/Name, designation, material, dimension etc	Article No./Reference
Designed by IP	Checked by IP	Approved by - date 08/06/22	Filename IP-MFSS18612060
		Date 08/06/22	Scale 1:20
			1860x1200x600 316SS FREESTANDING
IP-MFSS18612060			Edition 1
			Sheet 1/1