

Modular Floor Standing IP-MFSS18612040

316 STAINLESS STEEL | DOUBLE DOOR | IP55

1860H x 1200W x 400D

IP Enclosures MF1SS Range of grade 316 stainless steel Modular Free Standing Electrical Cabinets for low voltage switchgear and controlgear assemblies are suitable for general industrial applications.

Protection: Complies with IP55.
(Independent accredited test laboratory)

Standard: IEC62208, AS/EN/IEC60529
(Complying to AS/NZ 61439)



Material:

- Main Frame: 2.0mm Grade 316/316L Stainless Steel W Profile System
- Covers: 1.2mm Grade 316/316L Stainless Steel
- Front Door: 2.0mm Grade 316/316L Stainless Steel
- Mounting Plates: 2.0mm Galvanised Steel Sheet
- Door Seal: EPDM

Surface Finish: 0.4 micron Ra surface brushed finish

Main Frame: The robust modular main structure is fabricated using 2.0mm grade 316 stainless steel W Profile system with 20mm hole pattern.

Doors: The robust doors are fabricated using 2.0mm grade 316 stainless steel and incorporates four concealed hinges. The doors are designed for a 135° opening. Each door contains integral cable management rails with 20mm hole pattern, M5 earth stud and document pocket.

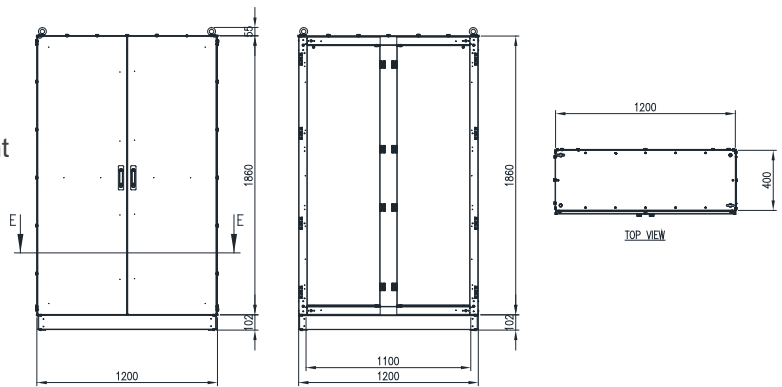
Side, Rear and Roof Panels: Removable panels are fabricated using 1.2mm grade 316 stainless steel sheet incorporating a smart bend design to provide additional strength.

Door Seal: High quality EPDM replaceable door seal.

Lock: 4 point locking system with key-lock swing handle.

Earthing: Earthing points to provide earthing continuity.

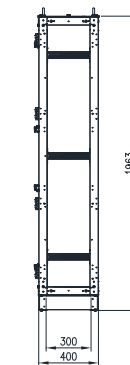
Device Mounting Plate: The 1740H x 1140W device mounting plate is fabricated using 2.0mm mm galvanised steel sheet, pressed to provide additional strength.



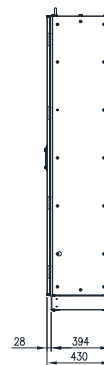
FRONT VIEW (ASSEMBLY)

FRONT VIEW (PANELS REMOVED)

TOP VIEW



SIDE VIEW (PANELS REMOVED)



SIDE VIEW

