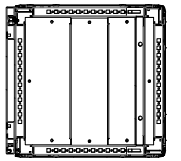
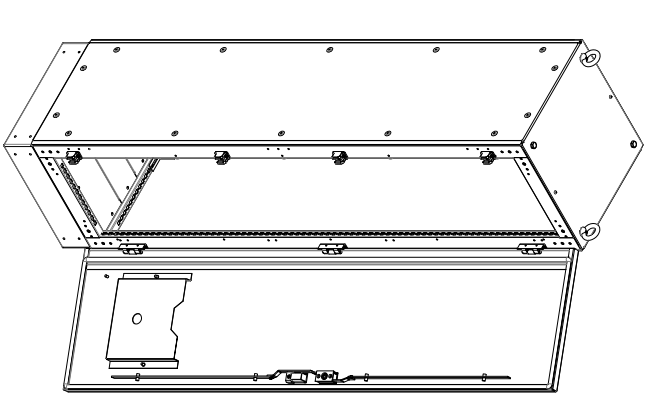
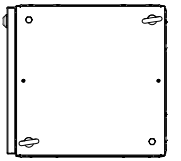


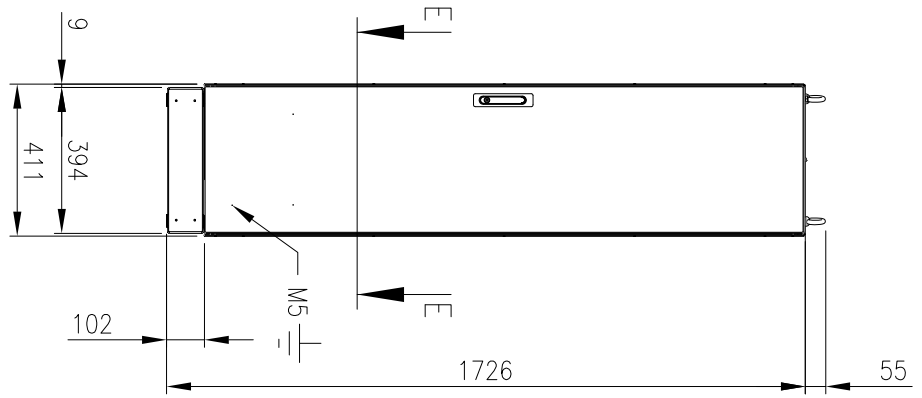
| RevNo | Revision note | Date | Signature | Checked |
|-------|------------------|--------|-----------|---------|
| 1 | GENERAL REVISION | 9/7/19 | IP | IP |



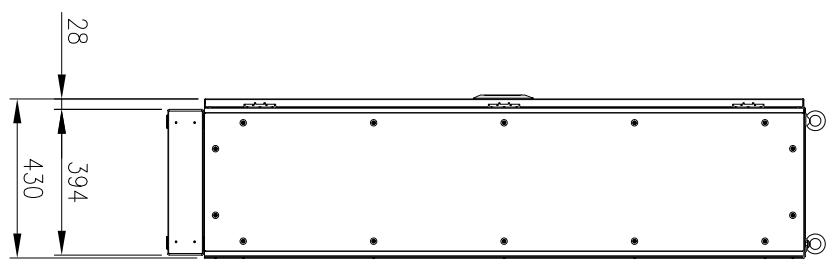
SECTION E-E



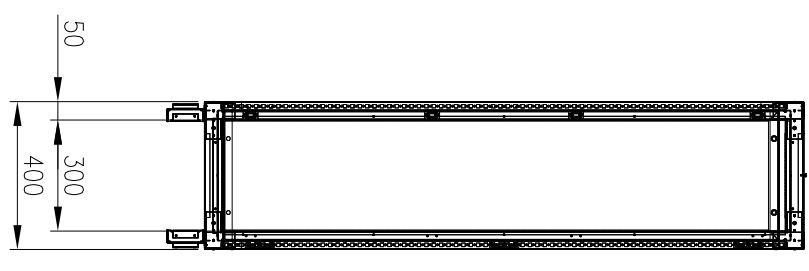
TOP VIEW



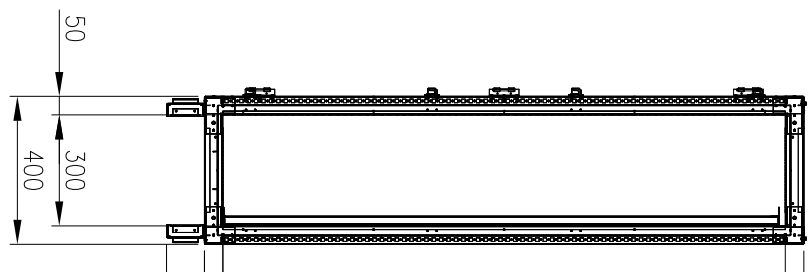
FRONT VIEW
(ASSEMBLY)



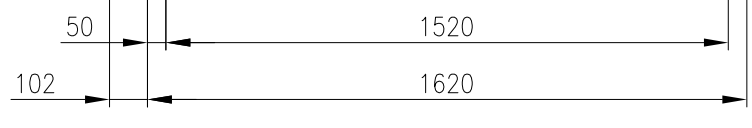
SIDE VIEW



FRONT VIEW
(PANELS REMOVED)



SIDE VIEW
(PANELS REMOVED)



DEVICE MOUNTING PLATE

MATERIAL
 MAIN FRAME: 2.0mm 316 STAINLESS STEEL PROFILE
 PANELS: 1.2mm 316 STAINLESS STEEL
 DOOR: 2.0mm 316 STAINLESS STEEL
 MOUNTING PLATE: 2.0mm 316 STAINLESS STEEL
 SEAL: EPDM
 PROTECTION: IP55 IK10
 STANDARD: IEC62208, IEC/EN/AS60529
ORDERING INFORMATION:
 - ENCLOSURE: IP-MFSS1624040
 - SIDE PANEL: IP-MFSSP16240
 - MOUNTING PLATE: IP-MFSSM16240
 - BASE: IP-MFSSB4040

© IP ENCLOSURES 2017.
 THIS DRAWING SHALL NOT BE COPIED OR REPRODUCED
 WITHOUT AUTHORISATION FROM IP ENCLOSURES.
 www.ipenclosures.com.au

| Item# | Quantity | TradeName, designation, material, dimension etc. | Article No./Reference | Scale |
|-------|----------|--|---------------------------------|-------|
| IP | | Designed by | 22/11/17 | 1:20 |
| IP | | Checked by | 22/11/17 | |
| | | Approved by - date | 22/11/17 | |
| | | Filename | 1620x400x400 316SS FREESTANDING | |
| | | Date | 22/11/17 | |
| | | Article No./Reference | IP-MFSS1624040 | |
| | | Edition | 1 | |
| | | Sheet | 1/1 | |